

TUSB6250

USB 2.0 to ATA/ATAPI

Bridge Controller

Data Manual



April 2008

Contents

<i>Section</i>	<i>Page</i>
1 Controller Description	1-1
1.1 Acronyms and Terms	1-1
2 Main Features	2-1
2.1 Universal Serial Bus (USB)	2-1
2.2 Microcontroller Unit (MCU)	2-1
2.3 ATA/ATAPI Interface Controller	2-1
2.4 General Feature	2-2
3 Device Block Diagrams	3-1
4 Device Parameter Information	4-1
4.1 Pin Diagram	4-1
4.2 Terminal Functions	4-2
4.3 Device Operation	4-5
4.3.1 Device Master Reset	4-5
4.3.2 Clock Generation	4-5
4.3.3 Device Initialization	4-5
5 Architecture Overview	5-1
5.1 Controller Brief Data Flow	5-1
5.2 Overview of Major Function Blocks	5-2
5.2.1 USB 2.0 UTMI-Compliant PHY	5-2
5.2.2 USB 2.0 Parallel Interface Engine (PIE)	5-2
5.2.3 USB Buffer Manager (UBM)	5-3
5.2.4 Embedded Microcontroller Unit (MCU)	5-3
5.2.5 ATA/ATAPI Interface Controller	5-3
5.2.6 I ² C Interface Controller	5-4
5.3 Other Major Features	5-4
5.3.1 Unique Power-On Sequencing to the Storage Device	5-4
5.3.2 Die-ID Based USB Device Serial Number	5-4
6 Microcontroller Unit (MCU)	6-1
6.1 MCU Memory Map	6-1
6.2 Internal XDATA Space [E000 → F0F9]	6-3
6.3 MCU Control and Status Registers (in SFR and ESFR Space)	6-8
6.3.1 PCON: Power Control Register (at SFR 87h)	6-9
6.3.2 RTKTM: RTK Timer Register (at ESFR F6h)	6-9
6.3.3 WDCSR: Watchdog Timer Control and Status Register (at ESFR FBh)	6-10
6.3.4 MCUCNFG: MCU Configuration Register (at ESFR FCh)	6-10
6.3.5 PWONSUSP: Power-On Reset and Suspend Detection Register (at ESFR FDh) ...	6-11
7 Interrupts	7-1
7.1 8051 Interrupt and Status Registers	7-1
7.1.1 IE: Interrupt Enable Register (SFR at A8)	7-2
7.1.2 IP: Interrupt Priority Register (SFR at B8)	7-2
7.1.3 IE1: Interrupt Enable Register (SFR at E8)	7-3
7.1.4 IP1: Interrupt Priority Register (SFR at F8)	7-3
7.1.5 TCON: Timer/Counter Control Register (SFR at 88)	7-3
7.2 Additional Interrupt Sources	7-4
7.2.1 VECINT: Vector Interrupt Register (ESFR at F7)	7-4

Section	Page
8 USB Function and Registers	8-1
8.1 USBCTL: USB Control Register (XDATA at F006)	8-1
8.1.1 USB Enumeration	8-1
8.1.2 USB Reset	8-2
8.1.3 USB 2.0 Test Mode	8-2
8.2 USBMSK: USB Interrupt Mask Register (XDATA at F007)	8-3
8.3 USBSTA: USB Status Register (XDATA at F008)	8-4
8.3.1 USB Suspend	8-4
8.3.2 WAKCLK Interrupt and Remote Wake-Up	8-5
8.4 FUNADR: Function Address Register (XDATA at F009)	8-9
8.5 UTMICFG: UTMI Configuration Status Register (XDATA at F00A)	8-9
8.6 USBFCL: USB Frame Counter Low-Byte Register (XDATA at F00B)	8-10
8.7 USBFCH: USB Frame Counter High-Byte Register (XDATA at F00C)	8-10
8.8 USBWKUP: USB Wake-Up Reason Register (XDATA at F00D)	8-10
8.9 Endpoint-0 Descriptor Registers	8-12
8.9.1 IEPCNFG_0: Input Endpoint-0 Configuration Register (XDATA at F000)	8-13
8.9.2 IEPBCN_0: Input Endpoint-0 Buffer Byte Count Register (XDATA at F001)	8-13
8.9.3 OEP CNFG_0: Output Endpoint-0 Configuration Register (XDATA at F003)	8-14
8.9.4 OEPBCN_0: Output Endpoint-0 Buffer Byte Count Register (XDATA at F004)	8-14
8.10 Endpoint Descriptor Block (EDB-1 to EDB-4)	8-15
8.10.1 IEP CNFG_n: Input Endpoint Configuration (n = 1 to 4) (XDATA at F010, F020, F030, F040)	8-17
8.10.2 IEPBBADR_X_n: Input Endpoint X-Buffer Base Address (n = 1 to 4) (XDATA at F011, F021, F031, F041)	8-17
8.10.3 IEPBCNLX_n: Input Endpoint X-Buffer Byte Count Low Byte (n = 1 to 4) (XDATA at F012, F022, F032, F042)	8-18
8.10.4 IEPBCNHX_n: Input Endpoint X-Buffer Byte Count High Byte (n = 1 to 4) (XDATA at F013, F023, F033, F043)	8-18
8.10.5 IEP SIZXY_n: Input Endpoint X/Y-Buffer Size (n = 1 to 4) (XDATA at F014, F024, F034, F044)	8-19
8.10.6 IEPBBADRY_n: Input Endpoint Y-Buffer Base Address (n = 1 to 4) (XDATA at F015, F025, F035, F045)	8-19
8.10.7 IEPBCNLY_n: Input Endpoint Y-Buffer Byte Count Low Byte (n = 1 to 4) (XDATA at F016, F026, F036, F046)	8-19
8.10.8 IEPBCNHY_n: Input Endpoint Y-Buffer Byte Count High Byte (n = 1 to 4) (XDATA at F017, F027, F037, F047)	8-20
8.10.9 OEP CNF_n: Output Endpoint Configuration (n = 1 to 4) (XDATA at F018, F028, F038, F048)	8-20
8.10.10 OEPBBAX_n: Output Endpoint X-Buffer Base Address (n = 1 to 4) (XDATA at F019, F029, F039, F049)	8-21
8.10.11 OEPBCNLX_n: Output Endpoint X-Buffer Byte Count Low Byte (n = 1 to 4) (XDATA at F01A, F02A, F03A, F04A)	8-21
8.10.12 OEPBCNHX_n: Output Endpoint X-Buffer Byte Count High Byte (n = 1 to 4) (XDATA at F01B, F02B, F03B, F04B)	8-21
8.10.13 OEP SIZXY_n: Output Endpoint X/Y-Buffer Size (n = 1 to 4) (XDATA at F01C, F02C, F03C, F04C)	8-22
8.10.14 OEPBBADRY_n: Output Endpoint Y-Buffer Base Address (n = 1 to 4) (XDATA at F01D, F02D, F03D, F04D)	8-22
8.10.15 OEPBCNLY_n: Output Endpoint Y-Buffer Byte Count Low Byte (n = 1 to 4) (XDATA at F01E, F02E, F03E, F04E)	8-22
8.10.16 OEPBCNHY_n: Output Endpoint Y-Buffer Byte Count High Byte (n = 1 to 4) (XDATA at F01F, F02F, F03F, F04F)	8-23

Section	Page
8.11 Serial Number Registers	8–24
8.11.1 SERNUMn: Device Serial Number Register (Byte n, n = 0 to 5) (XDATA at F080 to F085)	8–24
9 Miscellaneous and GPIO Configuration Registers	9–1
9.1 MODECNFG: Mode Configuration Register (XDATA at F088)	9–2
9.2 PUPDSLCT_P2: GPIO Pullup and Pulldown Resistor Selection Register for Port 2 (XDATA at F08A)	9–3
9.3 PUPDWDN_P2: GPIO Pullup and Pulldown Resistor Power Down for Port 2 (XDATA at F08B)	9–4
9.4 PUPDSLCT_P3: GPIO Pullup and Pulldown Resistor Selection Register for Port 3 (XDATA at F08C)	9–4
9.5 PUPDPWDN_P3: GPIO Pullup and Pulldown Resistor Power Down Register for Port 3 (XDATA at F08D)	9–5
9.6 PUPDFUNC: Pullup/Pulldown Configuration Register for Functional Pins (XDATA at F08E)	9–6
9.7 PUPDSLCT_ATPOUT: Pullup and Pulldown Resistor Selection Register for ATA/ATAPI Outputs (XDATA at F08F)	9–7
9.8 PUPDPWDN_ATPOUT: Pullup and Pulldown Resistors Power Down Register for ATA/ATAPI Outputs (XDATA at F090)	9–8
10 I²C Interface Controller	10–1
10.1 I ² C Registers	10–2
10.1.1 IECSR: I ² C Status and Control Register (XDATA at F0B0)	10–2
10.1.2 I2CADR: I ² C Device Address Register (XDATA at F0B1)	10–2
10.1.3 I2CDIN: I ² C Data_In Register (XDATA at F0B2)	10–3
10.1.4 I2CDOU: I ² C Data_Out Register (XDATA at F0B3)	10–3
10.2 Random-Read Operation	10–4
10.3 Current-Address Read Operation	10–4
10.4 Sequential-Read Operation	10–5
10.5 Byte-Write Operation	10–6
10.6 Page-Write Operation	10–7
10.7 I ² C EEPROM Head Block	10–8
11 ATA/ATAPI Interface Port	11–1
11.1 TUSB6250 ATA Controller Architecture Overview	11–2
11.1.1 ATA Controller State Machine	11–2
11.1.2 Sector FIFO Controller	11–2
11.1.3 ATA/ATAPI CSR Registers	11–3
11.2 ATA/ATAPI Port Power-On Sequencing and 3-State Control	11–4
11.3 TUSB6250 ATA/ATAPI Controller Transfer Modes	11–6
11.4 ATA/ATAPI Group 0 (Task_File) Registers	11–8
11.5 ATA/ATAPI Group 1 Registers	11–9
11.5.1 ATPIFCNFG0: ATA/ATAPI Interface Configuration Register 0 (XDATA at F0D0)	11–9
11.5.2 ATPIFCNFG1: ATA/ATAPI Interface Configuration Register 1 (XDATA at F0D1)	11–11
11.5.3 ATPACSREG0: ATA/ATAPI Access Register 0 (XDATA at F0D2)	11–12
11.5.4 ATPACSREG1: ATA/ATAPI Access Register 1 (XDATA at F0D3)	11–12
11.5.5 ATPACSREG2: ATA/ATAPI Access Register 2 (XDATA at F0D4)	11–12
11.5.6 ATPACSREG3: ATA/ATAPI Access Register 3 (XDATA at F0D5)	11–13
11.5.7 TRANSBCNT0: USB or ATA/ATAPI Transfer Byte Count Register 0 (XDATA at F0D6)	11–13
11.5.8 TRANSBCNT1: USB or ATA/ATAPI Transfer Byte Count Register 1 (XDATA at F0D7)	11–14
11.5.9 TRANSBCNT2: USB or ATA/ATAPI Transfer Byte Count Register 2 (XDATA at F0D8)	11–14

Section	Page	
11.5.10	TRANSBCNT3: USB or ATA/ATAPI Transfer Byte Count Register 3 (XDATA at F0D9)	11–14
11.5.11	CMNDLNTH: Command Length Register (XDATA at F0DA)	11–15
11.5.12	PIOSPAS: PIO Transfer Speed (Assertion Time) Register (XDATA at F0DC)	11–15
11.5.13	PIOSPRC: PIO Transfer Speed (Recovery Time) Register (XDATA at F0DD)	11–16
11.5.14	DMASPAS: DMA Transfer Speed (Assertion Time) Register (XDATA at F0DE)	11–16
11.5.15	DMASPRC: DMA Transfer Speed (Recovery Time) Register (XDATA at F0DF)	11–16
11.5.16	Data Transfer Mode and Timing Reference Chart	11–17
11.6	ATA/ATAPI Group 2 Registers	11–19
11.6.1	MCUBYTE0: MCU Data Byte_0 Register (XDATA at F0E0)	11–20
11.6.2	MCUBYTE1: MCU Data Byte_1 Register (XDATA at F0E1)	11–20
11.6.3	MCUBYTE2: MCU Data Byte_2 Register (XDATA at F0E2)	11–20
11.6.4	MCUBYTE3: MCU Data Byte_3 Register (XDATA at F0E3)	11–20
11.6.5	MCUACSL: MCU Access Address Low-Byte Register (XDATA at F0E4)	11–21
11.6.6	MCUACSH: MCU Access Address High-Byte Register (XDATA at F0E5)	11–21
11.6.7	ATPINTRPT0: ATA/ATAPI Interrupt Register 0 and ATPINTMSK0: ATA/ATAPI Interrupt Mask Register 0 (XDATA at F0E6, F0E7)	11–21
11.6.8	ATPINTRPT1: ATA/ATAPI Interrupt Register 1 and ATPINTMSK1: ATA/ATAPI Interrupt Mask Register 1 (XDATA at F0E8, F0E9)	11–22
11.6.9	ATPSTATUS: ATA/ATAPI Interface Status Register (XDATA at F0EA)	11–23
11.6.10	SECWRPTL: Sector FIFO Write Pointer Low-Byte Register (XDATA at F0EB)	11–24
11.6.11	SECWRPTH: Sector FIFO Write Pointer High-Byte Register (XDATA at F0EC)	11–25
11.6.12	WRPTBKUPL: Sector FIFO Write Pointer Backup Low-Byte Register (XDATA at F0ED)	11–25
11.6.13	WRPTBKUPH: Sector FIFO Write Pointer Backup High-Byte Register (XDATA at F0EE)	11–25
11.6.14	SECRDPTL: Sector FIFO Read Pointer Low-Byte Register (XDATA at F0EF)	11–25
11.6.15	SECRDPTH: Sector FIFO Read Pointer High-Byte Register (XDATA at F0F0)	11–26
11.6.16	RDPTBKUPL: Sector FIFO Read Pointer Backup Low-Byte Register (XDATA at F0F1)	11–26
11.6.17	RDPTBKUPH: Sector FIFO Read Pointer Backup High-Byte Register (XDATA at F0F2)	11–26
11.6.18	ULRCVEXCNT: Ultrareceive Extra Word Count Register (XDATA at F0F9)	11–27
12	Electrical Specifications	12–1
12.1	Absolute Maximum Ratings	12–1
12.2	Recommended Operating Conditions	12–1
12.3	Electrical Characteristics for the Digital Core, $T_A = 25^\circ\text{C}$, $V_{CC} = 3.3\text{ V} \pm 5\%$, $V_{SS} = 0\text{ V}$	12–2
12.4	Controller Input Supply Current, $T_A = 25^\circ\text{C}$, $V_{CC} = 3.3\text{ V} \pm 5\%$, $V_{SS} = 0\text{ V}$	12–2
12.5	Timing for 5-V Failsafe TTL Compatible LVCMOS I/O Buffer Used in the TUSB6250 ATA/ATAPI Interface	12–2
12.6	Electrical Characteristics for the Integrated USB 2.0 Transceiver, $T_A = 25^\circ\text{C}$, $V_{CC} = 3.3\text{ V} \pm 5\%$, $V_{SS} = 0\text{ V}$	12–3
13	Application Information	13–1
13.1	Crystal Selection and Reference Circuitry	13–1
13.2	Reset Timing Reference	13–2
13.3	General ATA/ATAPI Device Application Information	13–3
13.3.1	ATA/ATAPI Connector Pin Diagram	13–3
13.3.2	Special Note About Shaded Signals	13–3
13.3.3	Special Note About Pullup and Pulldown Resistors for ATA/ATAPI Signals	13–5
13.3.4	Series Termination Required for Ultra DMA Operation	13–5

<i>Section</i>		<i>Page</i>
13.4	Compact Flash Storage Card Reader Application	13-6
13.4.1	Brief Introduction	13-6
13.4.2	Pin Assignment and Mapping	13-7
13.4.3	Power-Up Sequence	13-9

List of Illustrations

<i>Figure</i>	<i>Title</i>	<i>Page</i>
3-1	TUSB6250 Block Diagram	3-1
3-2	USB 20 PEI (Parallel Interface Engine) Block Diagram	3-2
4-1	Controller 80-Pin TQFP Pin Diagram	4-1
5-1	TUSB6250 Typical Application Diagram	5-1
6-1	MCU Memory Map	6-2
6-2	IDATA Space Memory Configuration	6-12
8-1	WAKCLK Interrupt and Wake-Up Status Change Illustration Logical Diagram	8-7
8-2	IN-Endpoint Index Generation	8-16
8-3	OUT-Endpoint Index Generation	8-16
8-4	16-Bit EDB Data Buffer Address Generation From the Value of Buffer Base Address	8-16
11-1	ATA/ATAPI-Port Data Flow Diagram	11-1
11-2	TUSB6250 ATA/ATAPI Controller Block Diagram	11-2
11-3	ATA/ATAPI Bus Powering and Reset Sequence	11-4
13-1	Controller Reference Reset Timing Diagram	13-2

List of Tables

<i>Table</i>	<i>Title</i>	<i>Page</i>
4-1	Controller Terminal Description (80-Pin TQFP)	4-2
6-1	XDATA Space Map [E000 → F0F9]	6-4
6-2	Memory Mapped Registers Summary (XDATA Range: F000 → F0F9)	6-3
6-3	SFR Map [IDATA: 80 FF] (Shaded Area Indicates ESFRs)	6-8
7-1	8051 Standard/Extended Interrupt Location Map for Application Firmware	7-1
7-2	Vector Interrupt Values	7-4
8-1	Register Setting for the WAKCLK Interrupt and Remote Wake-Up	8-8
8-2	Input/Output EDB-0 Registers	8-13
8-3	Input/Output EDB-0 Buffer Location as Defined by BZ[1:0]	8-13
8-4	EDB0 Buffer Locations (in SPRAM)	8-15
8-5	EDB Entries in MMR (n = 1 to 4)	8-16
9-1	Controller MCU GPIO Port Mapping	9-1
10-1	I ² C EEPROM Signature in Descriptor Block	10-8
11-1	Task_File Registers (Group 0)	11-8
11-2	Group 1 Registers	11-10
11-3	ATA and ATAPI Command and Control Block Registers	11-14
11-4	PIO Mode and Timing Correlation Chart	11-18
11-5	Multiword DMA Mode and Timing Correlation Chart	11-19
11-6	Ultra DMA Mode and Timing Correlation Chart (applies to UDMA Write only)	11-19
11-7	Group 2 Registers	11-20
13-1	ATA/ATAPI Connector Pin Summary	13-3
13-2	Compact Flash Power Consumption (Reference Only)	13-6
13-3	Compact Flash Card System Performance (Reference Only)	13-7
13-4	TUSB6250 Based Compact Flash Storage Card Reader Pin Assignment and Mapping	13-8

1 Controller Description

The TUSB6250 is a USB 2.0 HS-capable function controller with an integrated UTMI compliant PHY. The TUSB6250 is intended as a USB 2.0 to ATA/ATAPI bridge for storage devices using a standard ATA or ATAPI interface.

The TUSB6250 is designed to use both the fast performance of the state machine and the programmability and flexibility of the embedded microcontroller and firmware. With the elaborative balance between the microcontroller unit (MCU) and the state machine, in addition to its embedded fast MCU (up to 30 MIPS), eight configurable endpoints, up to 40K bytes of configurable code, and data buffer SRAM, the TUSB6250 provides a bridge solution to meet both the performance and flexibility requirement of the next-generation external storage devices. With a low-power-consumption USB 2.0 integrated PHY, the TUSB6250 also enables the true USB 2.0 high-speed bus-powered application.

1.1 Acronyms and Terms

This section lists and defines some terms and abbreviations used throughout this data manual.

R/O	Read-only. Implies a certain register bit is read-only.
W/O	Write-only. Implies a certain register bit is write-only. The read operation to this bit normally returns a zero value.
R/W	Read/write. Implies a certain register bit can be accessed with both write and read operations.
R/C	Read/set-clear. Implies a certain register bit can be read and cleared to its reset default value by the MCU writing a certain value to it. The write-to-clear value may vary and depends on the condition defined in a particular register.
W/C	Write/clear. Implies a register bit can be written to perform certain clear functions defined in a particular register. The bit value being written to remains active for one clock cycle. It is cleared thereafter automatically. The read operation to this bit always returns a zero value.
MCU	Microcontroller unit. In this data manual, MCU refers to the microcontroller embedded in the TUSB6250.
EDB	Endpoint descriptor block. This is a set of registers used to define the characteristics of an endpoint of a USB device.
UBM	USB buffer manager. This is a major functional block of the TUSB6250.
SPRAM	Single-port RAM
Little-endian	For data with multiple bytes, little-endian means that the byte order is organized such that byte 0 is the least significant byte. The bit order within each individual byte is always the same regardless of which endianness is used; that is, bit 7 is always the most-significant bit.
Big-endian	For data with multiple bytes, big-endian means that the byte order is organized such that byte 0 is the most significant byte. The bit order within each individual byte is always the same regardless of which endianness is used; that is, bit 7 is always the most-significant bit.

2 Main Features

2.1 Universal Serial Bus (USB)

- Fully compliant with USB 2.0 specification: TID #40390418
- Integrated USB 2.0 UTMI compliant transceiver (PHY)
- Supports USB high speed (HS, 480 Mbits/sec) and full speed (FS, 12 Mbits/sec)
- Supports USB suspend/resume and remote wake-up operation
- Supports USB device-unique serial number by using on-chip unique die ID
- Supports eight configurable endpoints (four input and four output) with a user-programmable buffer size, in addition to the default control endpoint (endpoint 0):
 - Each endpoint can be configured for interrupt and bulk (double-buffered) transfers.
 - All endpoints share the 4K-byte data buffer implemented in the SPRAM (single-port SRAM).

2.2 Microcontroller Unit (MCU)

- Integrated 60-MHz 8051 microcontroller with two clocks per cycle (up to 30 MIPS)
- Application code is loadable from either the USB host or the external EEPROM (via the I²C interface)
- 8K bytes of ROM for the boot loader
- 1152 bytes of RAM with multiple bank selectable capability for the internal data buffer (IDATA space)
- 40K bytes of RAM, configurable for either code or data space, which provides flexibility to the end product application:
 - 32K-byte code RAM with 8K-byte sector buffer data space
 - 16K-byte code RAM with 24K-byte sector buffer data space
 - 8K-byte code RAM with 32K-byte sector buffer data space
- Master I²C interface controller for external device accesses capable of 100 Kbits/sec or 400 Kbits/sec transfer speed.
- Up to 13 GPIOs and three general-purpose open-drain outputs can be used for end-product-specific functions.

2.3 ATA/ATAPI Interface Controller

- Supports USB mass storage device class specification bulk-only transfer protocol
- Glueless interface to ATA and ATAPI drives with full ATA and ATAPI protocol support
- High-performance DMA engine supports all PIO, multiword DMA, and UDMA transfer modes up to UDMA mode 4 (UDMA-66 or ATA-66).
- Correctly handles all 13 cases in bulk-only transfer protocol under all supported transfer modes.
- Fully programmable ATA/ATAPI interface access timing
- Provides multiple flexible transfer options to achieve both high-speed transfer by the state machine and high flexibility with MCU involvement:
 - Fully manual transfer (both command and data) by the MCU
 - Semi-automatic transfer with command transfer by the MCU and data transfer by the state machine
 - High-performance fully automatic data transfer mainly by the state machine with few MCU involvements
- Supports mass-storage devices compatible with the ATA/ATAPI-5 specification:
 - Hard-disk drive
 - DVD/CD-ROM

- CD-R/W, DVD-R/W
- Compact flash
- PCMCIA type II card or hard drive
- MO drive
- Dual-drive support
 - Capable of supporting one master and one slave drive in any combination of ATA and ATAPI.
- Provides easy control to put the ATA/ATAPI bus into a high-impedance state through one register bit setting.
- 5-V failsafe I/Os for the ATA/ATAPI interface

2.4 General Features

- Operates on a 24-MHz external crystal with on-chip APLL
- Low-power mode (compliant with bus power requirement of <math><500\ \mu\text{A}</math>)
- 3.3-V operation with 1.8-V core operating voltage provided by an on-chip 1.8-V voltage regulator
- Available in an 80-pin TQFP package

3 Device Block Diagram

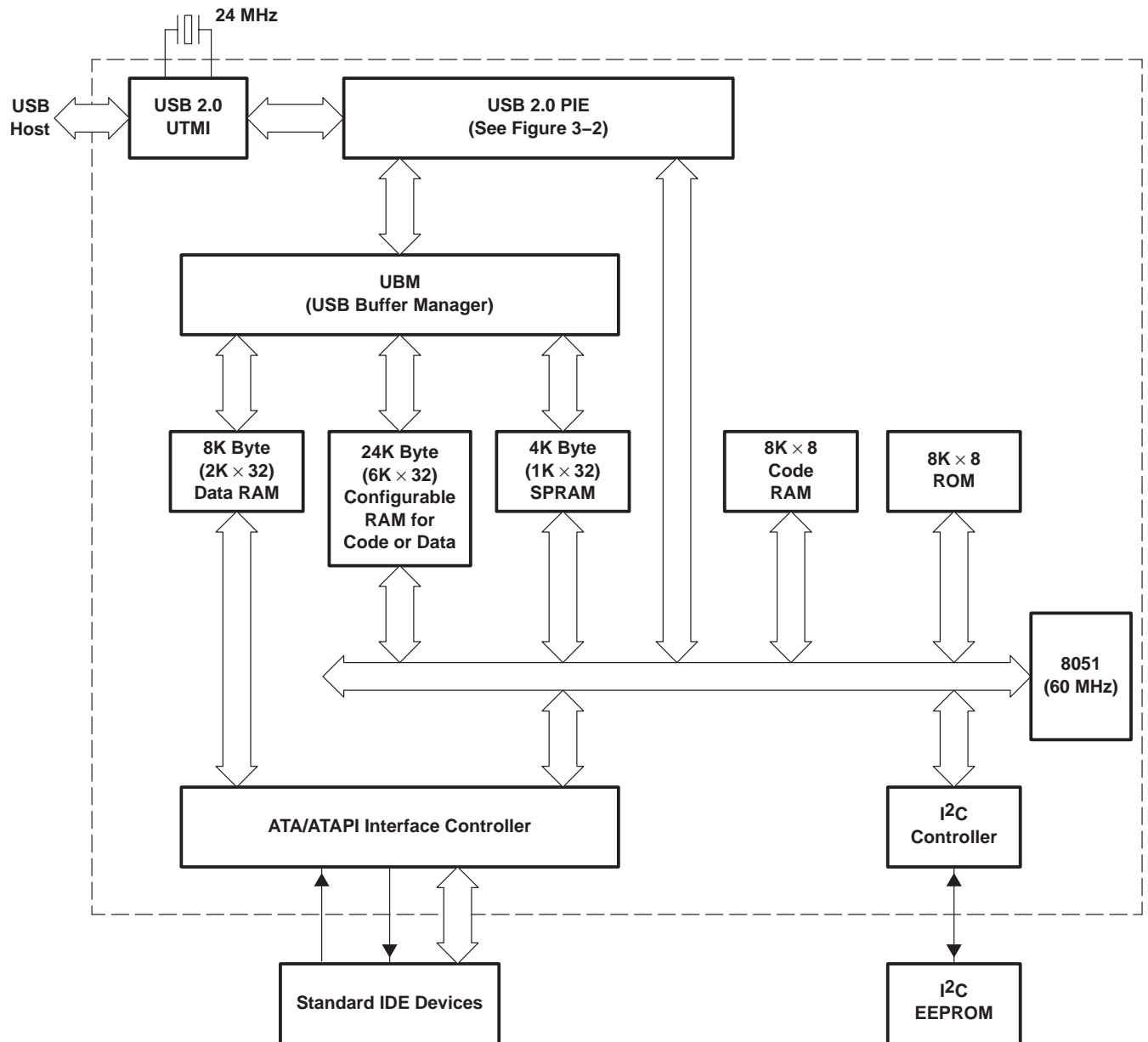


Figure 3-1. TUSB6250 Block Diagram

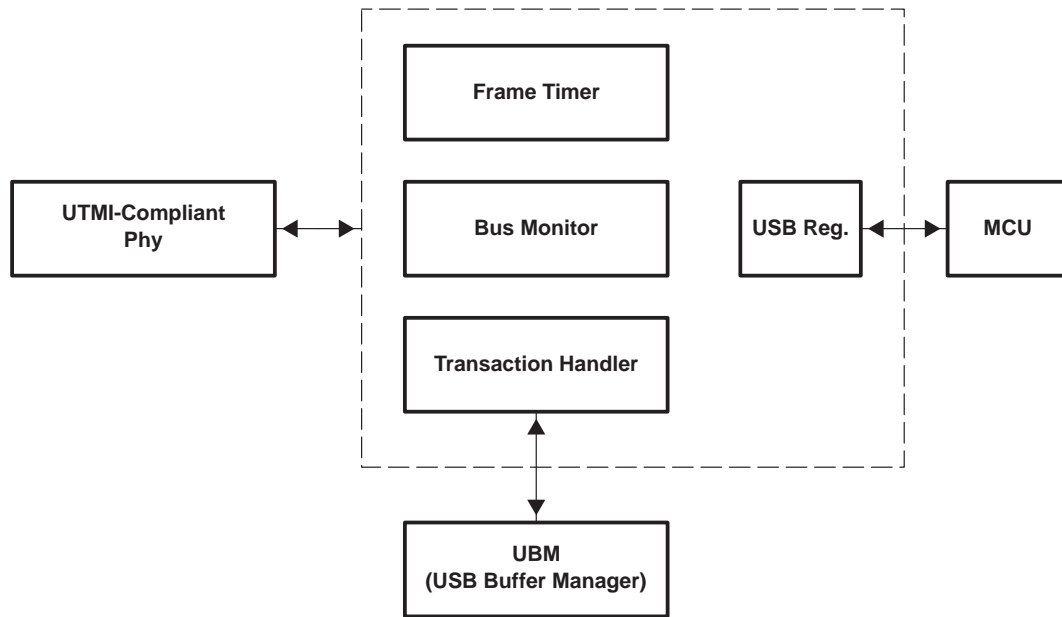


Figure 3–2. USB 2.0 PIE (Parallel Interface Engine) Block Diagram

4 Device Parameter Information

4.1 Pin Diagram

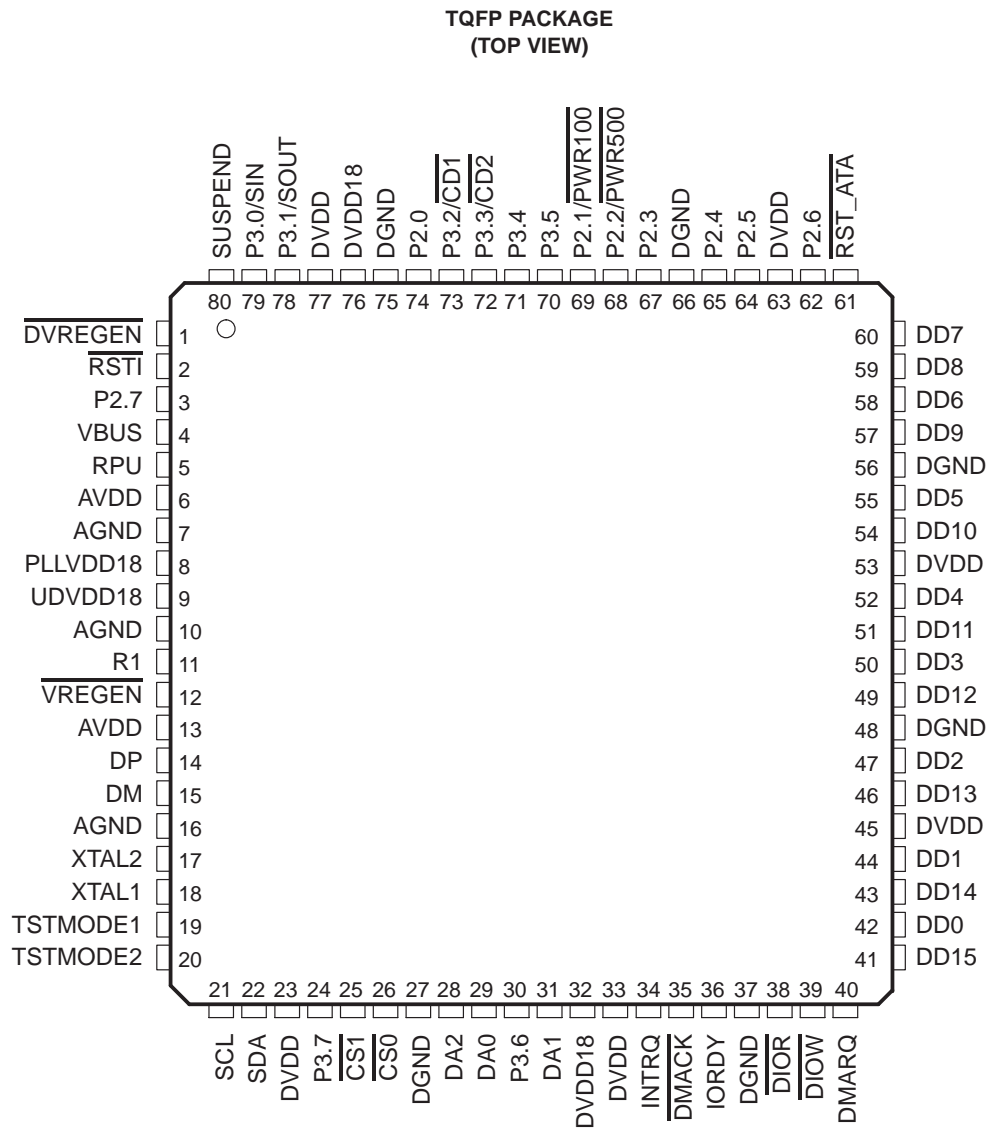


Figure 4–1. Controller 80-Pin TQFP Pin Diagram

4.2 Terminal Functions

Table 4–1. Controller Terminal Description (80-Pin TQFP)

TERMINAL		I/O		DESCRIPTION
NAME	NO.	TYPE	NOTES	
INTEGRATED USB 2.0 UTMI-COMPLIANT PHY				
AGND	7, 10, 16	GND		Analog ground. All ground terminals should be connected together externally through a low-impedance path. All bypass capacitors to PLLVDD18, UDVDD18, and AVDD should connect to ground through a low-impedance path.
AVDD	6, 13	PWR		3.3-V supply voltage for the integrated USB 2.0 UTMI-compliant PHY's internal analog circuitry. This supply is also regulated internally down to 1.8 V for use by the PHY's internal digital circuitry when $\overline{\text{VREGEN}}$ is asserted. Bypass capacitors to ground are required on these terminals.
DM	15	I/O		USB differential data minus
DP	14	I/O		USB differential data plus
PLLVDD18	8	PWR		1.8-V supply for the internal PLL circuitry of the integrated USB 2.0 UTMI-compliant PHY. An internal voltage regulator generates this supply when terminal $\overline{\text{VREGEN}}$ is asserted. When $\overline{\text{VREGEN}}$ is de-asserted, 1.8 V must be supplied externally. Bypass capacitance is required on this terminal regardless of the state of $\overline{\text{VREGEN}}$. It is recommended that the capacitance on this terminal not be less than 1 μF .
R1	11	I/O		External reference resistor. An internally generated band-gap voltage is placed on this resistor. The current through the resistor is mirrored internally to generate the current and voltage used by the internal analog circuitry. This pin has nominally 1.21 V dc. An external 5.9-k Ω \pm 1% resistor must be placed between this terminal and ground. It is recommended that the resistor be placed as close as possible to this terminal with a minimal trace length to ground.
RPU	5	I/O		Pullup resistor connection. This terminal is used to attach and detach the full-speed indicator resistor electrically to/from the DP signal line. An external 1.5-k Ω \pm 5% resistor must be placed between RPU and AVDD.
UDVDD18	9	PWR		1.92-V supply for the internal digital circuitry of the integrated USB 2.0 UTMI-compliant PHY. An internal voltage regulator generates this supply when terminal $\overline{\text{VREGEN}}$ is asserted. When $\overline{\text{VREGEN}}$ is de-asserted, 1.92 V must be supplied externally. Bypass capacitance is required on this terminal regardless of the state of $\overline{\text{VREGEN}}$. It is recommended that the capacitance on this terminal not be less than 1 μF . Do not connect the UDVDD18 terminal to the PLLVDD18 or DVDD18 terminal, because their voltages differ.
$\overline{\text{VREGEN}}$	12	I		Voltage regulator enable (active-low). Two internal 3.3-V to 1.8-V voltage regulators supply the digital and PLL circuitry when this terminal is asserted. When this terminal is de-asserted, the voltage regulators are disabled and 1.8 V must be supplied externally. TI recommends that this terminal be tied to ground during normal operation.
CONTROLLER GENERAL				
$\overline{\text{DVREGEN}}$	1	I	(4)	This active-low terminal is used to enable the 3.3-V to 1.8-V voltage regulator in the TUSB6250's digital core. When this terminal is de-asserted, the voltage regulator is disabled and 1.8 V must be supplied externally. TI recommends that this terminal be tied to ground during normal operation.
P3.0/SIN	79	I/O	(1)(6)(8)	This dual-function terminal can be used as either GPIO or the serial data input of the integrated 8051 microcontroller serial port. The power-up default is to have its internal pullup activated.
P3.1/SOUT	78	I/O	(1)(6)(8)	This dual-function terminal can be used as either GPIO or the serial data output of the integrated 8051 microcontroller serial port. The power-up default is to have its internal pullup activated.
$\overline{\text{RSTI}}$	2	I	(4)	The TUSB6250 master reset signal. This active-low terminal is the master reset signal for the TUSB6250. See Section 13.2, <i>Reset Timing Reference</i> , for detailed reset timing information.
SCL	21	O	(7)(8)	Master I ² C controller: clock signal for external I ² C serial EEPROM. The internal 100- μA pullup resistor on this terminal is always enabled.
SDA	22	I/O	(4)(7)(8)	Master I ² C controller: data signal for external I ² C serial EEPROM. The internal 100- μA pullup resistor on this terminal is always enabled.
TSTMODE1 TSTMODE2	19 20	I	(4)(8)	These terminals are used for factory test of the TUSB6250. During normal operation, these terminals must be left open.
VBUS	4	I	(5)(10)	This terminal monitors the status of the USB upstream VBUS. It has the internal pulldown resistor enabled as the power-on reset default.

Table 4–1. Controller Terminal Description (80-Pin TQFP) (Continued)

TERMINAL		I/O		DESCRIPTION
NAME	NO.	TYPE	NOTES	
XTAL2	17	O	(12)	24-MHz crystal output. This terminal has a 1.8-V LVCMOS output buffer.
XTAL1	18	I	(11)	24-MHz crystal input. This terminal has a 1.8-V LVCMOS input buffer.
CONTROLLER POWER/GROUND				
DGND	27,37,48, 56,66,75	GND		Digital circuit ground terminals. Each ground terminal should be directly connected through a low-impedance path to the ground plane.
DVDD	23,33,45, 53,63,77	PWR		3.3-V power-supply terminals for the internal I/O circuitry. Decoupling and filtering capacitors are required on these power supply terminals.
DVDD18	32, 76	PWR		1.8-V power supply for the internal digital circuitry of the TUSB6250. An internal voltage regulator generates this supply voltage when terminal DVREGEN is asserted. When DVREGEN is de-asserted, 1.8 V must be supplied externally. Bypass capacitors to ground are required on these pins.
SUSPEND	80	O	(1)	Suspend status indication. This terminal is low during normal operation and active high during suspend. It can be used for external logic power-down operations.
ATA/ATAPI INTERFACE				
CS1	25	O	(2)(9)	ATA/ATAPI: Drive chip select-1. Used to select the control block registers defined by the ATA/ATAPI-5 specification. This terminal should be connected to the corresponding pin of the ATA/ATAPI interface connector on the end-product PCB.
CS0	26	O	(2)(9)	ATA/ATAPI: Drive chip select-0. Used to select the command block registers defined by the ATA/ATAPI-5 specification. This terminal should be connected to the corresponding pin of the ATA/ATAPI interface connector on the end-product PCB.
DA [2:0]	28, 31, 29	O	(2)(9)	ATA/ATAPI: These three address lines are used to select the ATA/ATAPI drive registers as defined by the ATA/ATAPI-5 specification. These terminals should be connected to the corresponding pins of the ATA/ATAPI interface connector on the end-product PCB.
DD [15:0]	41,43,46, 49,51,54, 57,59,60, 58,55,52, 50,47,44, 42	I/O	(2)(5) (10)	ATA/ATAPI: 16-bit I/O data bus. These terminals are all 5-V fail-safe with internal controllable pulldown resistors. These terminals should be connected to the corresponding pins of the ATA/ATAPI interface connector on the end-product PCB.
DMACK	35	O	(2)(9)	ATA/ATAPI: DMA acknowledge. This terminal should be connected to the corresponding pin of the ATA/ATAPI interface connector on the end-product PCB.
DMARQ	40	I	(5)(10)	ATA/ATAPI: DMA request. This 5-V fail-safe terminal has an internal controllable pulldown resistor. The power-up default is the pulldown resistor enabled. This terminal should be connected to the corresponding pin of the ATA/ATAPI interface connector on the end-product PCB.
DIOR	38	O	(2)(9)	ATA/ATAPI: Read strobe signal. This terminal should be connected to the corresponding pin of the ATA/ATAPI interface connector on the end-product PCB.
DIOW	39	O	(2)(9)	ATA/ATAPI: Write strobe signal. This terminal should be connected to the corresponding pin of the ATA/ATAPI interface connector on the end-product PCB.
INTRQ	34	I	(5)(9)	ATA/ATAPI: Interrupt request. The ATA device asserts this signal when it has a pending interrupt. This 5-V fail-safe terminal has internal configurable pullup and pulldown resistors. The power-up default is the pulldown resistor enabled. This terminal should be connected to the corresponding pin of the ATA/ATAPI interface connector on the end-product PCB.
IORDY	36	I	(5)(9)	ATA/ATAPI: Channel ready. This 5-V fail-safe terminal has internal configurable pullup and pulldown resistors. The power-up default is the pullup resistor enabled. This terminal should be connected to the corresponding pin of the ATA/ATAPI interface connector on the end-product PCB.
P3.6	30	I/O	(2)(5) (9)	5-V fail-safe general-purpose I/O with internal configurable pullup and pulldown resistors. This terminal can be used as a GPIO or PDIAG function to be implemented by the end-product developer's custom firmware. After power-on reset, this terminal defaults as input with the internal pullup resistor enabled. The MCU can reconfigure the pullup and pulldown resistors, if desired.

Table 4–1. Controller Terminal Description (80-Pin TQFP) (Continued)

TERMINAL		I/O		DESCRIPTION
NAME	NO.	TYPE	NOTES	
P3.7	24	I/O	(2)(5) (9)	5-V fail-safe general-purpose I/O with internal configurable pullup and pulldown resistors. This terminal can be used as a GPIO or DASP function, which is implemented by the end-product developer's custom firmware. After a power-on reset, this terminal defaults as input with the internal pullup resistor enabled. The MCU can reconfigure the pullup and pulldown resistors, if desired.
RST_ATA	61	O	(2)(9)	ATA/ATAPI: Asynchronous drive-reset signal. This terminal should be connected to the corresponding pin of the ATA/ATAPI interface connector on the end-product PCB.
OTHER GPIOs (GENERAL-PURPOSE I/Os)				
P2.7	3	I/O	(1)(6) (8)	General-purpose I/O with an internal controllable pullup resistor. After a power-on reset, this terminal defaults as an input with an internal pullup resistor activated. The MCU can disable the pullup resistor if desired.
P2.6 P2.5 P2.4	62 64 65	I/O	(2)(5) (9)	5-V fail-safe general-purpose I/O with internal configurable pullup and pulldown resistors. After power-on reset, these terminals default as inputs with the internal pullup resistor activated. The MCU can reconfigure the pullup and pulldown resistors if desired.
P2.3	67	O	(3)	General-purpose open-drain output without internal pullup and pulldown resistors.
P2.2/ PWR500	68	O	(3)	General-purpose open-drain output. This terminal can be controlled by the firmware to inform the ATA/ATAPI device connected to the TUSB6250 that the end-product device (including the TUSB6250 itself) is allowed to draw 500 mA from the USB after the device is fully enumerated and configured as a USB-powered device.
P2.1/ PWR100	69	O	(3)	General-purpose open-drain output. During the USB enumeration phase, This terminal is asserted by the boot code to inform the ATA/ATAPI device connected to the TUSB6250 that the end-product device (including the TUSB6250 itself) is allowed to draw 100 mA from the USB. After the boot code relinquishes control to the firmware when USB enumeration, configuration, and firmware download are finished, the firmware can reconfigure the function of this terminal for other usage, as long as such usage is not conflicting with the previous usage, which, for example, can be implemented in the end product for power sequencing control purposes. It should be noted that, for self-powered applications, if VBUS from the USB is not present (for example, the USB cable is not connected) during boot time, the boot code does not assert this terminal. In this condition, it is the responsibility of firmware to assert this terminal, once the firmware is downloaded and gains control.
P2.0	74	I/O	(2)(5) (9)	5-V fail-safe general-purpose I/O with internal configurable pullup and pulldown resistors. After power-on reset, this terminal defaults as an input with the internal pulldown resistor activated. The MCU can reconfigure the pullup and pulldown resistors if desired.
P3.5 P3.4	70 71	I/O	(2)(5) (9)	5-V fail-safe general-purpose I/O with internal configurable pullup and pulldown resistors. After power-on reset, these terminals default as inputs with an internal pullup resistor activated. The MCU can reconfigure the pullup and pulldown resistors, if desired. These two terminals can be used as remote wake-up event inputs. The end-product developer's custom firmware can use these two terminals to implement some end-product-specific functions, such as cartridge insertion detection, eject button pressed, or external control input to request the end-product custom firmware to put the TUSB6250's ATA/ATAPI bus into the high-impedance state.
P3.3/CD2 P3.2/CD1	72 73	I/O	(2)(5) (9)	5-V fail-safe general-purpose I/O with internal configurable pullup and pulldown resistors. After power-on reset, these terminals default as inputs with an internal pullup resistor activated. The MCU can reconfigure the pullup and pulldown resistors, if desired. These terminals can be used as GPIOs or compact flash card insertion/removal detection inputs implemented by the end-product developer's custom firmware. These terminals are remote wake-up capable inputs, if enabled.

- NOTES:
- 3-state 3.3-V LVCMOS output (± 8 -mA drive/sink).
 - 3-state 3.3-V LVCMOS output, 5-V fail-safe (± 8 -mA drive/sink). The 5-V fail-safe means this output buffer can be exposed to a 5-V application environment. Although it can not output 5 V when interfacing with the 5-V ATA/ATAPI device, an external pullup resistor to a 5-V power source can be used to pull the output voltage up to 5 V. The fail-safe buffer is designed to be protected from damage under a condition where the buffer is exposed to 5 V, while the device is powered down (its supply voltage is zero).
 - Open-drain output (8-mA sink), 5-V fail-safe, without internal pullup and pulldown resistors.
 - 3.3-V LVCMOS hysteresis input.
 - TTL-compatible, 5-V fail-safe, hysteresis input.
 - 3.3-V LVCMOS input without hysteresis.
 - Open-drain output (4-mA sink) with an internal pullup resistor.
 - Internal 100- μ A active pullup resistor.
 - Configurable internal 200- μ A active pullup and pulldown resistors.
 - Controllable internal 200- μ A active pulldown resistor
 - 1.8-V LVCMOS input buffer
 - 1.8-V LVCMOS output buffer

4.3 Device Operation

4.3.1 Device Master Reset

An external master reset signal, asynchronous to the TUSB6250 internal clock, is needed to reset the TUSB6250. This reset is referred to as the power-on reset throughout this document, which is connected to the $\overline{\text{RSTI}}$ terminal of the TUSB6250. Because the TUSB6250 has built-in noise debouncing circuitry, it also requires a valid clock signal present during the required active-low master reset window. For the details of the master reset timing requirement, see Section 13.2, *Reset Timing Reference*.

4.3.2 Clock Generation

The TUSB6250 requires an external 24-MHz crystal to be used. The integrated USB 2.0 UTMI-compliant PHY generates all of the clock signals needed for the PHY analog, PLL, and digital logic. The PHY also generates a 60-MHz clock used in the internal digital core of the TUSB6250.

4.3.3 Device Initialization

Because the TUSB6250 contains an integrated MCU, the device initialization process contains the following two parts:

- Hardware registers and state machines are cleared to their defined default reset state after power-on reset initialization. The TUSB6250 powers up with a default USB function address of zero and is disconnected from the USB bus.
- The MCU executes a bootloader program in ROM (starting from address 0000h) to fetch the valid application code from the external source and prepare for USB enumeration. The application code, once in charge, may perform some initialization functions to configure the TUSB6250 to meet the requirement of a particular end-product application.

Because the application code (firmware) space is in the internal RAM, the TUSB6250 firmware needs to be downloaded from an external source into the RAM space designated for code usage (see Section 6.1, *MCU Memory Map*, for detailed information).

After power-on reset is applied to the TUSB6250, the integrated MCU executes the bootloader program (also referred as boot code) residing in the on-chip 8K-byte ROM mapped to the MCU program memory space; this process is also referred to as booting.

The major tasks of the boot code are:

- To fetch the descriptors required for itself or the firmware to perform USB enumeration
- To download the application firmware from one of the two external sources available during booting: either from an external I²C EEPROM connected to the I²C interface of the TUSB6250 or from the host PC via the USB bus connection

The MCU executes a read from an external I²C EEPROM and checks whether it contains valid application code by comparing the read value with the expected boot signature. If it contains valid code, the MCU executes follow-up reads from the EEPROM and writes the code into the TUSB6250 internal 32K bytes of default code RAM. If the external EEPROM does not contain any valid code, the MCU proceeds to boot from the USB.

The I²C EEPROM normally is preprogrammed with a valid application code image. It also contains all the configurable USB descriptors and other configurable descriptors or parameters for the mass storage device connected to the TUSB6250 ATA/ATAPI interface. For the option of booting from the USB host, the application code may reside in the host PC. However, the external I²C EEPROM is still needed to store the USB 2.0 specification-required vendor ID and product ID specific to each individual end-product manufacturer.

Depending on the type of firmware used as specified in the header block of the external I²C EEPROM, the boot code can determine:

- Whether to perform connection to the USB host for enumeration before downloading the firmware into the internal code RAM
- Whether to remain disconnected during the firmware code downloading process. In this case, the firmware, once in charge, assumes the responsibility of performing the connect and enumeration tasks.

For details on how to specify the header block of the external I²C EEPROM, booting, and enumeration options, see the *TUSB6250 Bootcode Application Note* application report (SLLA126).

5 Architecture Overview

The overall functionality of the TUSB6250 is achieved by the combined interaction of major blocks or subcontrollers as shown earlier in Figure 3–1. These major blocks include the USB 2.0 UTMI-compliant PHY, USB 2.0 parallel interface engine (PIE), embedded microcontroller unit (MCU), USB buffer manager (UBM), ATA/ATAPI interface controller, and the I²C interface controller.

5.1 Controller Brief Data Flow

As shown in Figure 5–1, the USB host controller, residing inside a PC, issues commands and/or data to the TUSB6250-based external USB 2.0 mass storage device. The TUSB6250's internal data flow is described as follows (out-transaction example):

1. The USB 2.0 UTMI-compliant PHY receives serial data, either high-speed or full-speed, from the external upstream USB host controller. The PHY processes this serial data stream and converts it into the 8-bit-wide parallel data packet based on the protocol defined in the USB 2.0 specification and the UTMI specification.
2. The 8-bit wide parallel data packet, switching at 60-MHz, is passed to the USB 2.0 PIE block. The USB 2.0 PIE processes the data based on the defined USB packet protocol and passes the data to the UBM block.
3. The UBM performs the endpoint address decoding and then passes the data packet to the addressed data buffer location, which is either the endpoint buffer space or the sector FIFO space configured by the MCU and its firmware. The sector FIFO is the dedicated data buffer space directly accessible by the TUSB6250 controller's internal high-performance ATA/ATAPI interface controller. The UBM also generates the appropriate interrupt to inform the MCU of the arrival of the new packet.
4. The embedded MCU, either moves the data manually between the endpoint buffer and the ATA/ATAPI interface, or enables automatic data movement between the sector FIFO and the ATA/ATAPI interface.
5. If the automatic data movement path is enabled, the data packet targeted to the storage device is loaded automatically from the UBM into sector FIFO.
6. The ATA/ATAPI interface controller, which is a high-performance DMA engine, automatically moves the data from sector FIFO to the storage device connected to its ATA/ATAPI interface with the data transfer protocol and timing configured by the MCU and the firmware.

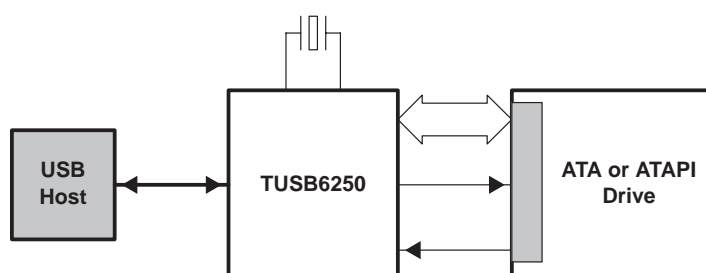


Figure 5–1. TUSB6250 Typical Application Diagram

5.2 Overview of Major Function Blocks

5.2.1 USB 2.0 UTMI-Compliant PHY

The main functions of the integrated USB 2.0 UTMI-compliant PHY are to convert the received serial data stream from the USB host controller into parallel data packets that can be processed by the controller engine of the TUSB6250 and to perform parallel-to-serial conversion for the data packets to be transmitted to the USB host.

The integrated PHY communicates to the TUSB6250 controller parallel interface engine (PIE) through two separate 8-bit-wide transmit and receive data buses and other handshake signals defined in the USB 2.0 UTMI specification version 1.4. The PHY also provides a 60-MHz clock signal to the PIE for synchronization. It supports both high-speed (480 Mbps) USB signaling and full-speed (12 Mbps) signaling. This backward compatibility allows the TUSB6250 controller to connect to any legacy USB full-speed hosts and hubs.

The PHY includes circuitry to monitor the line conditions for determining connection status, initialization, and packet reception and transmission. The integrated PHY requires only an external 24-MHz crystal as a reference. An external clock, with 1.8-V magnitude, can be provided to the XTAL1 pin instead of a crystal. An internal oscillator drives an internal phase-locked loop (PLL), which generates the required 480-MHz reference clock. The reference clock is internally divided to provide the clock signals used to control the internal receive and transmit circuitry. The suspend function stops the operation of the PLL.

Data bits to be transmitted upstream are received on the 8-bit transmit bus from the PIE of the TUSB6250 controller and latched in synchronization with the 60-MHz clock. These bits are combined serially, encoded and bit-stuffed as required, and transmitted to the USB host. During packet reception, the transmitters are disabled. A clock signal and serial data bits are recovered from the received NRZI-encoded and bit-stuffed information. The serial data bits are bit unstuffed, NRZI decoded, and deserialized. These bits are then resynchronized to the local 60-MHz clock and sent to the PIE on the 8-bit wide receive bus.

The integrated PHY also provides the 60-MHz clock source to be used on all other blocks of the TUSB6250 controller. It contains two 3.3-V to 1.8-V voltage regulators to supply power for the PHY internal digital and PLL circuitry.

An external 1.5-k Ω \pm 5% resistor must be placed between the RPU and AVDD pins. The resistor is required for full-speed indication and connect signaling. Another external 5.9-k Ω \pm 1% resistor must be placed between R1 and ground, which is used to mirror the current for internal analog circuitry reference.

5.2.2 USB 2.0 Parallel Interface Engine (PIE)

As shown in Figure 3–2, the PIE consists of four major blocks: a frame timer, a bus a monitor, a transaction handler, and USB registers.

The bus monitor, as its name implies, monitors the USB differential signal line status through the USB 2.0 UTMI-compliant PHY. It informs the MCU via updating the UTMICFG:UTMI configuration status register (XDATA at F00A) with the current line status information, such as high-speed or full-speed mode indication, VBUS status, idle, and SE0 detection information. While interfacing with the PHY, the bus monitor is able to perform connect or disconnect according to the configuration set up by the MCU and firmware. It detects and generates the USB full-speed or high-speed handshake based on the protocol defined in the USB 2.0 specification and provides other capabilities such as suspend, resume, and remote wakeup. The bus monitor also supports the required USB 2.0 high-speed compliance test modes.

The frame timer is responsible for tracking starts of frames (SOFs) from the bus monitor and generating the USB frame number and microframe number, which is described in Section 8.6, *USBFCL: USB Frame Counter Low-Byte Register (XDATA at F00B)* and Section 8.7, *USBFCH: USB Frame Counter High-Byte Register (XDATA at F00C)*.

The transaction handler manages the USB packet protocol requirement for the packets being received and transmitted on the USB by the TUSB6250. For the received packet, the transaction handler checks the packet identifier (PID) field to reveal the correct packet type from those defined by the USB 2.0 specification, such as token, data, handshake, and special packets. It then checks the address, endpoint number, and the CRC to ensure the received packet is a valid one being addressed to one of the enabled endpoints in the TUSB6250 controller. If the received packet is a data packet, it first notifies the UBM with the endpoint address and direction information of the incoming data packet and then passes the following data payload. For the packet being transmitted, the transaction handler gets the data from the UBM and generates the correct PID and CRC as part of the transmit packet to be transmitted along with the data payload to the USB host. The synchronization field (SYNC) is generated by the PHY. For the handshake packet, the UBM tells the transaction handler what kind of handshake packet to send, as long as the CRC is valid. The transaction handler then performs the task of sending the required handshake packet.

5.2.3 USB Buffer Manager (UBM)

The UBM is a high-performance DMA engine that manages the data movement between the transaction handler and the TUSB6250 endpoint data buffer or sector FIFO (used by the ATA/ATAPI interface controller for high-speed data transfer between the TUSB6250 controller and the storage device connected to its ATA/ATAPI interface). For received packets, the UBM checks the endpoint address, direction information, and loads (writes) the data payload into the appropriate endpoint data buffer or sector FIFO in the TUSB6250 controller. For the packet being transmitted, the UBM decodes the valid endpoint address, direction information from the token packet provided by the transaction handler, and performs a read from the correct endpoint data buffer or sector FIFO location in the TUSB6250 controller. The read-data is then passed to the transaction handler to be processed and transferred to the USB host.

5.2.4 Embedded Microcontroller Unit (MCU)

The integrated MCU in the TUSB6250 controller is a high-speed 8-bit microcontroller core based on the industry standard 8051 with certain improvements. The MCU operates at 60-MHz clock frequency with up to 30 MIPS performance.

The main functionality of the embedded MCU core of the TUSB6250 controller is to serve as a central processing platform to allow the boot code (the microcode running at boot time) and firmware to perform the device configuration and the activity control function by configuring and updating all the registers in the MCU, USB, ATA/ATAPI, I²C, and the GPIO blocks.

5.2.5 ATA/ATAPI Interface Controller

The ATA/ATAPI interface controller is a high-performance DMA engine that continuously monitors the status and manages the data movement between sector FIFO and the ATA/ATAPI storage device connected to the TUSB6250 ATA/ATAPI interface, based on the ATA/ATAPI timing and protocol defined by the ATA/ATAPI-5 specification.

The ATA/ATAPI interface controller of the TUSB6250 controller offers both the flexibility of general MCU-based bridge controllers and the performance of state-machine-based bridge controllers. It allows the MCU to move the data manually between the endpoint data buffer and the ATA/ATAPI interface, while providing a high-performance automatic data movement mode, in which the ATA/ATAPI interface controller and the UBM work together to move the data quickly among the UBM, sector FIFO, and the ATA/ATAPI interface without MCU involvement during the data stage of the bulk-only data transfer.

Some of the flexibilities offered by the TUSB6250 ATA/ATAPI interface controller include:

- Firmware-configurable IDE data transfer modes and timing that can be configured in the resolution of the 60-MHz clock cycle period
- Many hardware registers that provide information to assist the MCU to handle all 13 case conditions correctly defined by the USB mass storage bulk-only transfer protocol specification.

5.2.6 I²C Interface Controller

The master-only I²C interface controller is responsible for acquiring the user-configurable descriptors and other configurable feature parameters from the external I²C EEPROM during initial power up. It is also used to download the application firmware from the external I²C EEPROM. The behavior of the I²C interface controller is controlled by the boot code (the microcode embedded in boot ROM) or application firmware.

5.3 Other Major Features

5.3.1 Unique Power-On Sequencing to the Storage Device

The TUSB6250 provides unique power-on sequencing features to the storage device. When the TUSB6250 is powered up during the reset period, it turns off all the output buffers and activates all of the internal pulldown resistors on the ATA/ATAPI bus. After reset, when the TUSB6250 controller is enumerated and configured, the application firmware in operation decides when to power up the connected ATA/ATAPI drive and reconfigure all the input, output, and bidirectional buffers, and the pullup and pulldown resistors on the ATA/ATAPI bus based on their functionality defined in the ATA/ATAPI-5 specification.

This function is critical for implementing a truly bus-powered USB 2.0 mass storage device, because the disk start-up spinning normally results in a high-current surge that is harmful to the USB device during enumeration. According to the USB 2.0 specification, a USB device is only allowed to consume up to 100 mA before it is configured.

This feature is also useful when the TUSB6250 controller interfaces to ATA/ATAPI mass storage devices that do not implement fail-safe buffers on their ATA/ATAPI interface. In such conditions, this well controlled power-on sequencing feature protects the connected storage device without fail-safe I/O buffers from damage that might be caused by the bridge controller driving the signal lines when the power supply of the storage devices is not present.

5.3.2 Die-ID Based USB Device Serial Number

The TUSB6250 supports unique USB device serial numbers by using the 48-bit die-ID number unique to each silicon die. It also allows end-product developers to specify their own custom serial number in the external I²C EEPROM to override this default die-ID serial number.

6 Microcontroller Unit (MCU)

The embedded MCU is a high-performance version (8051 Warp core) of the standard 8-bit 8051 microcontroller, requiring just two clocks per machine cycle, while keeping functional compatibility with the standard part. This allows the embedded MCU to run up to six times faster than the standard part for the same power consumption. The ratio of two clock cycles to one machine cycle is constant across the instruction set and all addressing modes, so as to maintain instruction execution-time compatibility with other devices.

The MCU is the central processing unit controlling the overall activity of the TUSB6250 controller with the application firmware, which is loaded into the TUSB6250 controller's internal embedded code RAM space from either the external I²C EEPROM or the USB host in a PC.

The MCU, with its firmware, through accessing all the related USB and ATA/ATAPI registers, can configure the USB functions of the TUSB6250 controller, such as the characteristics of endpoints, remote wakeup capability, low-power-enable feature, interrupts to MCU, GPIO configuration, etc. It also configures the ATA/ATAPI interface controller behavior, such as the mode of the TUSB6250 controller's internal data movement, ATA/ATAPI interface data transfer modes, and timing.

6.1 MCU Memory Map

The industry standard 8051 microcontroller normally organizes its complete memory space into three major categories: program memory, internal data memory, and external data memory. Following this convention, the embedded MCU memory space of the TUSB6250 controller is referred to throughout this data manual as:

- Program memory is also referred to as the code space.
- Internal data memory refers to the 1152 bytes of IDATA memory.
- External data memory refers to the internal XDATA space, including the MMRs and 4K-byte data buffers of the EDB, because the data memory, although integrated in this device, is external to the embedded MCU core.

Figure 6–1 illustrates the MCU memory map. Note that the internal IDATA space is not shown, because it is allocated in the same location as the standard 8051 microcontroller (starting from 0x00 hex). The enhanced IDATA memory embedded in the TUSB6250 controller, with a size of 1152 bytes, can be used for multitasking firmware to speed up execution.

The shaded areas represent the internal ROM/RAM.

- The 8K bytes of ROM containing the boot code are mapped to address range 0x0000–0x1FFF.
- The 8K bytes of RAM (fixed as code space for application firmware) are mapped to address range 0x2000–0x3FFF.
- The other 8K bytes of RAM (fixed as sector FIFO), as shown in the unshaded area enclosed with the dotted line, are directly accessible by the internal ATA/ATAPI interface controller.
- The 4K-byte data buffers of the end point descriptor block (EDB) are mapped to address range (E000–EFFF), which are implemented by the single-port RAM (SPRAM).
- Memory-mapped registers (MMRs) and other buffers are mapped to address range (F000–F0F9) and are all implemented by registers. The MMRs include registers used for USB, I²C, ATA/ATAPI interface configuration, GPIO, pullup/pulldown control, etc.
- The actual configuration of the middle 24K bytes of RAM (4000–9FFF), which are part of the 40K bytes of configurable RAM for code and data space, depends on the RAMPARTN bits in the MODECNFG register.
 - After power up, RAMPARTN = 00 is the default. This configures the 24K bytes RAM as code space with the address mapped to 4000–9FFF and yields total 32K bytes of code RAM from 2000–9FFF

addressable by the MCU and 8K bytes of RAM for the sector FIFO data space that is not directly accessible by the MCU.

- The MCU can change this power-up RAM configuration by overwriting the value of the RAMPARTN bits. Thus, reconfiguring this 24K bytes of RAM as part of the code space or sector FIFO data space can be accomplished per the firmware instruction setting:
 - RAMPARTN = 01, this yields a total of 16K bytes of code RAM from 2000–5FFF accessible by the MCU and 24K bytes of RAM for sector FIFO not directly accessible by the MCU, but directly accessible by the internal ATA/ATAPI interface controller.
 - RAMPARTN = 10, this yields a total of 8K bytes of code RAM from 2000–3FFF accessible by the MCU and 32K bytes of RAM for sector FIFO not directly accessible by the MCU, but directly accessible by the internal ATA/ATAPI interface controller.

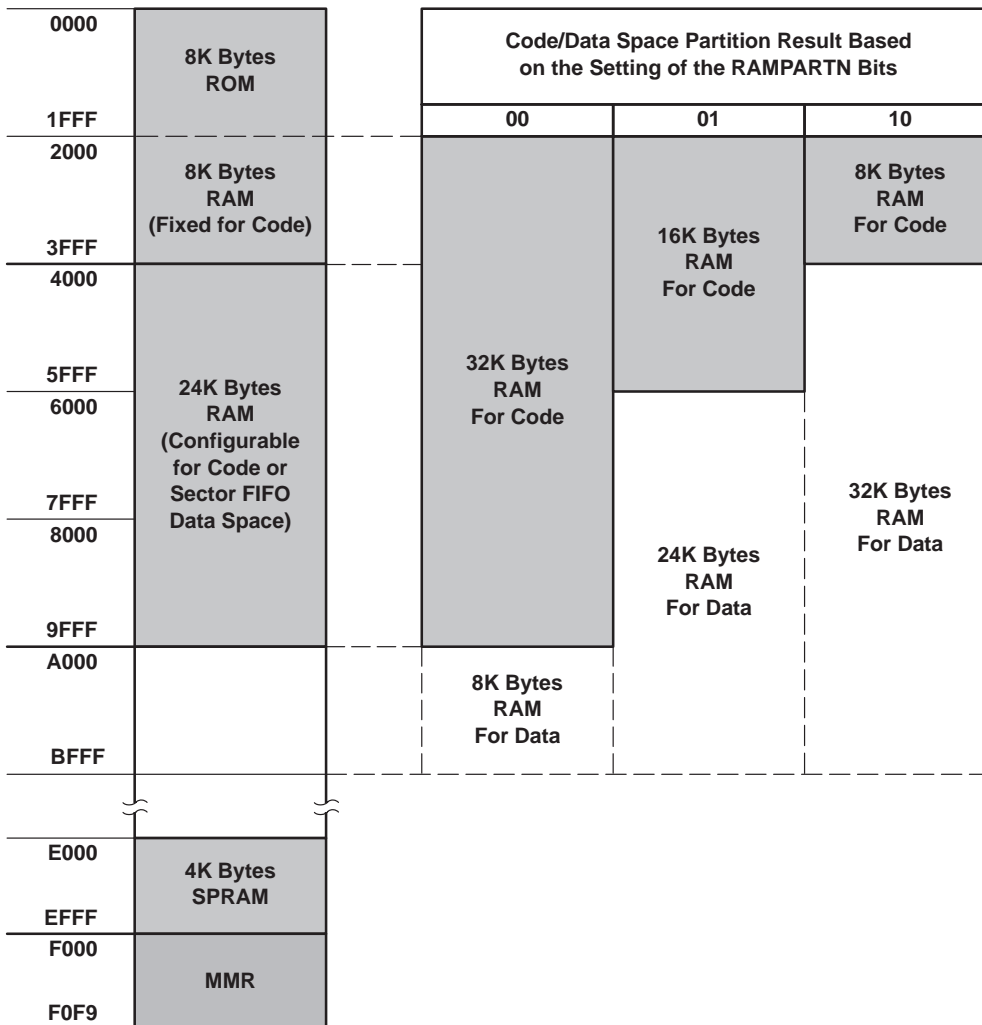


Figure 6–1. MCU Memory Map

6.2 Internal XDATA Space [E000 → F0F9]

The address range from E000 to F0F9 in XDATA space is reserved for data buffers and MMRs.

- Data buffers of the EDB are all allocated in the address range E000 to EFFF, which are implemented by SPRAM.
- MMRs can be allocated in the address range F000 to FFFF, which are implemented by registers. MMRs contain all endpoint descriptor blocks (EDB) registers, which as the name implies, are used by the MCU to configure and access each endpoint in the TUSB6250 controller.

Table 6–1 represents the XDATA space allocation and access restriction for the UBM and the MCU.

Table 6–2 describes the complete MMR memory map.

Table 6–1. XDATA Space Map [E000 → F0F9]

DESCRIPTION	ADDRESS RANGE	UBM ACCESS	MCU ACCESS
Data buffers of the EDB (4K SPRAM)	E000 EFFF	Yes	Yes
Internal MMRs (memory mapped registers)	F000 F0F9	See Notes 1 and 2	Yes

NOTES: 1. The UBM can access all EDB registers in MMRs needed for current endpoint access.
2. The UBM cannot access anything else other than EDBs in MMRs.

Table 6–2. Memory Mapped Registers Summary (XDATA Range: F000 → F0F9)

ADDRESS	REGISTER NAME	DESCRIPTION
F000	IEPCNFG_0	Input endpoint_0 configuration register
F001	IEPBCN_0	Input endpoint_0 buffer byte count register
F002	Reserved	
F003	OEPNCFG_0	Output endpoint_0 configuration register
F004	OEPBCN_0	Output endpoint_0 buffer byte count register
F005	Reserved	
F006	USBCTL	USB control register
F007	USBMSK	USB interrupt mask register
F008	USBSTA	USB status register
F009	FUNADR	Function address register
F00A	UTMICFG	UTMI configuration status register
F00B	USBFCL	USB frame counter low-byte register
F00C	USBFCH	USB frame counter high-byte register
F00D	USBWKUP	USB wakeup reason register
F00E	Reserved	
F00F	Reserved	
F010	IEPCNFG_1	Input endpoint_1 configuration register
F011	IEPBADDRX_1	Input endpoint_1 X buffer base address register
F012	IEPBCNLX_1	Input endpoint_1 X buffer byte count low-byte register
F013	IEPBCNHX_1	Input endpoint_1 X buffer byte count high-byte register
F014	IEPSIZXY_1	Input endpoint_1 X/Y buffer size register
F015	IEPBADRY_1	Input endpoint_1 Y buffer base address register
F016	IEPBCNLY_1	Input endpoint_1 Y buffer byte count low-byte register
F017	IEPBCNHY_1	Input endpoint_1 Y buffer byte count high-byte register
F018	OEPNCFG_1	Output endpoint_1 configuration register
F019	OEPBADDRX_1	Output endpoint_1 X buffer base address register
F01A	OEPBCNLX_1	Output endpoint_1 X buffer byte count low-byte register
F01B	OEPBCNHX_1	Output endpoint_1 X buffer byte count high-byte register
F01C	OEPSIZXY_1	Output endpoint_1 X/Y buffer size register
F01D	OEPBADRY_1	Output endpoint_1 Y buffer base address register
F01E	OEPBCNLY_1	Output endpoint_1 Y buffer byte count low-byte register
F01F	OEPBCNHY_1	Output endpoint_1 Y buffer byte count high-byte register
F020	IEPCNFG_2	Input endpoint_2 configuration register
F021	IEPBADDRX_2	Input endpoint_2 X buffer base address register
F022	IEPBCNLX_2	Input endpoint_2 X buffer byte count low-byte register
F023	IEPBCNHX_2	Input endpoint_2 X buffer byte count high-byte register
F024	IEPSIZXY_2	Input endpoint_2 X/Y buffer size register
F025	IEPBADRY_2	Input endpoint_2 Y buffer base address register
F026	IEPBCNLY_2	Input endpoint_2 Y buffer byte count low-byte register
F027	IEPBCNHY_2	Input endpoint_2 Y buffer byte count high-byte register

Table 6–2. Memory Mapped Registers Summary (XDATA Range: F000 → F0F9) (Continued)

ADDRESS	REGISTER NAME	DESCRIPTION
F028	OEPNCFG_2	Output endpoint_2 configuration register
F029	OEPBBADR_X_2	Output endpoint_2 X buffer base address register
F02A	OEPBCNLX_2	Output endpoint_2 X buffer byte count low-byte register
F02B	OEPBCNHX_2	Output endpoint_2 X buffer byte count high-byte register
F02C	OEPSIZXY_2	Output endpoint_2 X/Y buffer size register
F02D	OEPBBADRY_2	Output endpoint_2 Y buffer base address register
F02E	OEPBCNLY_2	Output endpoint_2 Y buffer byte count low-byte register
F02F	OEPBCNHY_2	Output endpoint_2 Y buffer byte count high-byte register
F030	IEPNCFG_3	Input endpoint_3 configuration register
F031	IEPBBADR_X_3	Input endpoint_3 X buffer base address register
F032	IEPBCNLX_3	Input endpoint_3 X buffer byte count low-byte register
F033	IEPBCNHX_3	Input endpoint_3 X buffer byte count high-byte register
F034	IEPSIZXY_3	Input endpoint_3 X/Y buffer size register
F035	IEPBBADRY_3	Input endpoint_3 Y buffer base address register
F036	IEPBCNLY_3	Input endpoint_3 Y buffer byte count low-byte register
F037	IEPBCNHY_3	Input endpoint_3 Y buffer byte count high-byte register
F038	OEPNCFG_3	Output endpoint_3 configuration register
F039	OEPBBADR_X_3	Output endpoint_3 X buffer base address register
F03A	OEPBCNLX_3	Output endpoint_3 X buffer byte count low-byte register
F03B	OEPBCNHX_3	Output endpoint_3 X buffer byte count high-byte register
F03C	OEPSIZXY_3	Output endpoint_3 X/Y buffer size register
F03D	OEPBBADRY_3	Output endpoint_3 Y buffer base address register
F03E	OEPBCNLY_3	Output endpoint_3 Y buffer byte count low-byte register
F03F	OEPBCNHY_3	Output endpoint_3 Y buffer byte count high-byte register
F040	IEPNCFG_4	Input endpoint_4 configuration register
F041	IEPBBADR_X_4	Input endpoint_4 X buffer base address register
F042	IEPBCNLX_4	Input endpoint_4 X buffer byte count low-byte register
F043	IEPBCNHX_4	Input endpoint_4 X buffer byte count high-byte register
F044	IEPSIZXY_4	Input endpoint_4 X/Y buffer size register
F045	IEPBBADRY_4	Input endpoint_4 Y buffer base address register
F046	IEPBCNLY_4	Input endpoint_4 Y buffer byte count low-byte register
F047	IEPBCNHY_4	Input endpoint_4 Y buffer byte count high-byte register
F048	OEPNCFG_4	Output endpoint_4 configuration register
F049	OEPBBADR_X_4	Output endpoint_4 X buffer base address register
F04A	OEPBCNLX_4	Output endpoint_4 X buffer byte count low-byte register
F04B	OEPBCNHX_4	Output endpoint_4 X buffer byte count high-byte register
F04C	OEPSIZXY_4	Output endpoint_4 X/Y buffer size register
F04D	OEPBBADRY_4	Output endpoint_4 Y buffer base address register
F04E	OEPBCNLY_4	Output endpoint_4 Y buffer byte count low-byte register
F04F	OEPBCNHY_4	Output endpoint_4 Y buffer byte count high-byte register
F050	Reserved	
↓	Reserved	
F07F	Reserved	

Table 6–2. Memory Mapped Registers Summary (XDATA Range: F000 → F0F9) (Continued)

ADDRESS	REGISTER NAME	DESCRIPTION
F080	SERNUM0	Serial number byte 0 register
F081	SERNUM1	Serial number byte 1 register
F082	SERNUM2	Serial number byte 2 register
F083	SERNUM3	Serial number byte 3 register
F084	SERNUM4	Serial number byte 4 register
F085	SERNUM5	Serial number byte 5 register
F086	Reserved	
F087	Reserved	
F088	MODECNFG	Device mode configuration register
F089	Reserved	
F08A	PUPDSLCT_P2	GPIO pullup and pulldown selection register for port2
F08B	PUPDPWDN_P2	GPIO pullup and pulldown power-down register for port2
F08C	PUPDSLCT_P3	GPIO pullup and pulldown selection register for port3
F08D	PUPDPWDN_P3	GPIO pullup and pulldown power-down register for port3
F08E	PUPDFUNC	Pullup and pulldown configuration register for functional pins
F08F	PUPDSLCT_ATPOUT	Pullup and pulldown selection register for ATA/ATAPI outputs
F090	PUPDPWDN_ATPOUT	Pullup and pulldown power-down register for ATA/ATAPI outputs
F091	Reserved	
↓	Reserved	
F0AF	Reserved	
F0B0	I2CSCR	I ² C status and control register
F0B1	I2CADR	I ² C address register
F0B2	I2CDIN	I ² C Data_In register
F0B3	I2CDOUT	I ² C Data_Out register
F0B4	Reserved	
↓	Reserved	
F0BF	Reserved	
F0C0	TASK_FILE0	Task_File0 register
F0C1	TASK_FILE1	Task_File1 register
F0C2	TASK_FILE2	Task_File2 register
F0C3	TASK_FILE3	Task_File3 register
F0C4	TASK_FILE4	Task_File4 register
F0C5	TASK_FILE5	Task_File5 register
F0C6	TASK_FILE6	Task_File6 register
F0C7	TASK_FILE7	Task_File7 register
F0C8	TASK_FILE8	Task_File8 register
F0C9	TASK_FILE9	Task_File9 register
F0CA	TASK_FILE10	Task_File10 register
F0CB	TASK_FILE11	Task_File11 register
F0CC	TASK_FILE12	Task_File12 register
F0CD	TASK_FILE13	Task_File13 register
F0CE	TASK_FILE14	Task_File14 register
F0CF	TASK_FILE15	Task_File15 register

Table 6–2. Memory Mapped Registers Summary (XDATA Range: F000 → F0F9) (Continued)

ADDRESS	REGISTER NAME	DESCRIPTION
F0D0	ATPIFCNFG0	ATA/ATAPI interface configuration register 0
F0D1	ATPIFCNFG1	ATA/ATAPI interface configuration register 1
F0D2	ATPACSREG0	ATA/ATAPI access register 0
F0D3	ATPACSREG1	ATA/ATAPI access register 1
F0D4	ATPACSREG2	ATA/ATAPI access register 2
F0D5	ATPACSREG3	ATA/ATAPI access register 3
F0D6	TRANSBCNT0	USB or ATA/ATAPI transfer byte count register 0 (7:0)
F0D7	TRANSBCNT1	USB or ATA/ATAPI transfer byte count register 1 (15:8)
F0D8	TRANSBCNT2	USB or ATA/ATAPI transfer byte count register 2 (23:16)
F0D9	TRANSBCNT3	USB or ATA/ATAPI transfer byte count register 3 (31:24)
F0DA	CMNDLNGTH	Command length register
F0DB	BLKSECCNT	Block sector count register
F0DC	PIOSPAS	PIO transfer speed (assertion timing) register
F0DD	PIOSPRC	PIO transfer speed (recovery timing) register
F0DE	DMASPAS	DMA transfer speed (assertion timing) register
F0DF	DMASPRC	DMA transfer speed (recovery timing) register
F0E0	MCUBYTE0	MCU data byte_0 register
F0E1	MCUBYTE1	MCU data byte_1 register
F0E2	MCUBYTE2	MCU data byte_2 register
F0E3	MCUBYTE3	MCU data byte_3 register
F0E4	MCUACSL	MCU access address low-byte register
F0E5	MCUACSH	MCU access address high-byte register
F0E6	ATPINRPT0	ATA/ATAPI interrupt register 0
F0E7	ATPINTMSK0	ATA/ATAPI interrupt mask register 0
F0E8	ATPINRPT1	ATA/ATAPI interrupt register 1
F0E9	ATPINTMSK1	ATA/ATAPI interrupt mask register 1
F0EA	ATPSTATUS	ATA/ATAPI interface status register
F0EB	SECWRPTL	Sector FIFO write pointer low-byte register
F0EC	SECWRPTH	Sector FIFO write pointer high-byte register
F0ED	WRPTBKUPL	Sector FIFO write pointer backup low-byte register
F0EE	WRPTBKUPH	Sector FIFO write pointer backup high-byte register
F0EF	SECRDPTL	Sector FIFO read pointer low-byte register
F0F0	SECRDPTH	Sector FIFO read pointer high-byte register
F0F1	RDPTBKUPL	Sector FIFO read pointer backup low-byte register
F0F2	RDPTBKUPH	Sector FIFO read pointer backup high-byte register
F0F3	Reserved	
↓	Reserved	
F0F8	Reserved	
F0F9	ULRCVEXCNT	Ultra receive extra word count register

6.3 MCU Control and Status Registers (in SFR and ESFR Space)

This section describes the PCON register (in standard 8051 SFR space) and all the registers added to the standard 8051 special function registers (SFRs) space in the TUSB6250 controller. These added registers are referred to as extended special function registers (ESFRs).

For information regarding the standard SFRs, see the industry-standard 8051 specification. Table 6–3 outlines the standard and extended 8051 registers in the IDATA space.

Table 6–3. SFR Map [IDATA: 0x80 → 0xFF]

DESCRIPTION	LABEL	ADDRESS
Port 0	P0	80
Stack pointer	SP	81
Data pointer LB	DPL	82
Data pointer HB	DPH	83
Power control register	PCON	87
Timer/counter control	TCON	88
Timer/counter mode	TMOD	89
Timer/counter 0 LB	TL0	8A
Timer/counter 1 LB	TL1	8B
Timer/counter 0 HB	TH0	8C
Timer/counter 1 HB	TH1	8D
Port 1	P1	90
Serial control register	SCOM	98
Serial data buffer	SBUF	99
Port 2	P2	A0
Interrupt enable register	IE	A8
Port 3	P3	B0
Interrupt priority register	IP	B8
Break point status register	BPSTA	BD
Break point register 1 (LB) (see Note 1)	BPL1	BE
Break point register 1 (HB)	PBH1	BF
Reserved (see Note 2)		C0
Break point register 2 (LB)	BPL2	C1
Break point register 2 (HB)	PBH2	C2
Reserved		C3
Break point register 3 (LB)	BPL3	C4
Break point register 3 (HB)	PBH3	C5
Reserved		C6
Break point register 4 (LB)	BPL4	C7
Break point register 4 (HB)	PBH4	C8
Reserved		C9
Jump-to-monitor address register (LB)	JTML	CA
Jump-to-monitor address register (HB)	JTMH	CB
Reserved		CC
Reserved		CD
Stack break point register	SBK	CE
Break point control register	BPCRL	CF
Program status word	PSW	D0

Table 6–3. SFR Map [IDATA: 80 FF] (Shaded Area Indicates ESRFs) (Continued)

DESCRIPTION	LABEL	ADDRESS
D1 → DF is used for scratch pad (see Note 3)		D1 → DF
Accumulator	A	E0
Interrupt enable register 1	IE1	E8
B register	B	F0
RTK timer register	RTKTM	F6
Vector interrupt register	VECINT	F7
Interrupt priority register 1	IP1	F8
PC copy register (LB)	PCL	F9
PC copy register (HB)	PCH	FA
Watchdog timer CSR	WDCSR	FB
MCU configuration register	MCUCNFG	FC
Power-on reset and suspend detection register	PWONSUSP	FD
Reserved		FE
Reserved		FF

- NOTES: 1. ESRFs (BE–CF) are write-protected when LJMP to the application is executed. When LJMP to the monitor is executed or when MCU writes 55h to the BPSTA register, these registers become unprotected.
2. Application firmware should not write to any space marked as Reserved.
3. These locations are reserved as the monitor working area and applications should not use them.

6.3.1 PCON: Power Control Register (at SFR 87h)

The PCON is the standard 8051 power control register. The PCON register is cleared by a power-up reset or a watchdog timer (WDT) reset. The PCON register can also be cleared by a USB reset when the function reset connection bit in the USBCTL register is set (FRSTE = 1).

7	6	5	4	3	2	1	0
SMOD	RSV	RSV	RSV	GF1	FG0	RSV	IDL
R/W	R/O	R/O	R/O	R/W	R/W	R/O	R/W

BIT	NAME	RESET	FUNCTION
0	IDL	0	MCU idle mode bit. This bit can be set by the MCU and is cleared by the assertion of any enabled interrupt. It is not recommended to use the MCU idle mode during normal operation of the TUSB6250 controller.
1	RSV	0	Reserved = 0
3–2	GF [1:0]	00	General-purpose bits. The MCU can write and read these bits.
6–4	RSV	0000	Reserved = 0
7	SMOD	0	Double-baud-rate control bit. For more information see the UART serial interface in the M8051 core specification.

6.3.2 RTKTM: RTK Timer Register (at ESRF F6h)

The RTK timer counter is a down counter with its initial value loaded from the RTK timer value specified in the RTKTM register. A 10- μ s clock is used for the RTK timer counter. When the value in the down counter reaches zero, an interrupt pulse is generated (connected to INT6) and the RTKTM value is reloaded into the counter. This register provides an interrupt period of 10 μ s to 2550 μ s. Any write to this counter clears the original content of the counter and causes the counter to restart the down count from the new timer value.

The RTKTM register is cleared by a power-up reset or a WDT reset. The RTKTM register can also be cleared by a USB reset when the function reset connection bit in the USBCTL register is set (FRSTE = 1).

7	6	5	4	3	2	1	0
T7	T6	T5	T4	T3	T2	T1	T0
R/W	R/W	R/W	R/W	R/W	R/W	R/W	R/W

BIT	NAME	RESET	FUNCTION
7-0	T [7:0]	00h	RTK timer value. The RTKTM register defines the RTK (INT6) interrupt intervals in 10 μ s increments. Note that a INT6 interrupt is generated only when T[7:0]>00 and EI6 is set (E16=1) in the IE1: interrupt enable register (SFR at E8). 00h = RTK timer is disabled. 01h = Interrupt is generated every 10 μ s 02h = Interrupt is generated every 20 μ s : FFh = Interrupt is generated every 2,550 μ s

6.3.3 WDCSR: Watchdog Timer Control and Status Register (at ESFR FBh)

A watchdog timer (WDT) with a 1-ms clock is provided. If the WDCSR register is not accessed for a period of 128 ms, the WDT counter resets the MCU. When debugger logic is enabled and a break is detected, the WDT is suspended until a jump-to-application is executed. At such point, the WDT resumes operation.

The WDT is enabled by default and can only be disabled by the MCU/firmware writing a pattern of 101010 into the WDD [5:0] bits. To avoid accidental reset by the WDT, the firmware has to ensure that it clears the WDT before going into suspend.

The WDCSR register is cleared by a power-up reset only. The USB reset cannot clear the WDCSR register.

7	6	5	4	3	2	1	0
WDRI	WDD5	WDD4	WDD3	WDD2	WDD1	WDD0	WDCES
R/C	R/W	R/W	R/W	R/W	R/W	R/W	R/W

BIT	NAME	RESET	FUNCTION
0	WDCES	1	Watchdog timer counter clear and enabling status. <ul style="list-style-type: none"> For write access, this bit acts as the watchdog timer counter clear bit. The MCU must write a 1 to this bit to prevent the WDT from resetting the device. If the MCU does not write a 1 in a period of 128 ms, the WDT resets the device. Writing a 0 has no effect on the WDT. The WDT is an 8-bit counter using a 1-ms CLK. For read access, this bit acts as a status bit to indicate whether the watchdog timer is currently enabled. A return value of 1 indicates the watchdog timer is enabled and a return value of 0 indicates the watchdog timer is disabled. A reset value of 1 indicates the watchdog timer is enabled by default.
6-1	WDD[5:0]	000000	These bits are used to disable the watchdog timer. For the timer to be disabled, these bits must be set to a special pattern of 101010. If any other pattern is present, the watchdog timer remains in operation. These bits are read back as all 0.
7	WDRI	0	Watchdog reset indication bit. This bit indicates if the reset occurred due to a power-up reset or a watchdog timer reset. WDR = 0 A power-up reset occurred. WDR = 1 A watchdog timeout reset occurred. To clear this bit, the MCU must write a 1. Writing a 0 has no effect.

6.3.4 MCUCNFG: MCU Configuration Register (at ESFR FCh)

The APP_MODE bit (bit 0) provides an indication for the MCU to distinguish whether it is currently running in the boot-sequence mode or under firmware control. Once the boot code finishes the firmware download and is ready to switch to firmware control, it sets this bit before relinquishing the control to the firmware. The firmware should take extra care and never clear this bit.

When the WAKCLK bit in the USBMSK register and any one of the bits (bit 5 to 2) of the MCUCNFG register are both enabled, any status change (for example, a media insertion/ejection or other remote wakeup event) on the GPIO pins related to these four bits triggers a WAKCLK interrupt to the MCU, while the source of the status change is logged in the USB wakeup reason register. Bits [5:2] act as the individual status change (event) enable bits.

For some removable media reader applications, if the media connector has connector detection pins at two opposite sides of the connector (for example, card reader application for compact flash card or PCMCIA type II card/drive), both CD1STEN and CD2STEN must be enabled to ensure correct detection of media insertion.

The MCUCNFG register is cleared by a power-up reset or a WDT reset. A USB reset cannot reset the MCUCNFG register.

7	6	5	4	3	2	1	0
RSV	RSV	CD2STEN	CD1STEN	P35STEN	P34STEN	RSV	APP_MODE
R/O	R/O	R/W	R/W	R/W	R/W	R/O	R/W

BIT	NAME	RESET	FUNCTION
0	APP_MODE	0	Application mode. This bit indicates whether the device is running under boot code or firmware control. The firmware should take extra care and never clear this bit. APP_MODE = 0 The TUSB6250 is running in the boot sequence mode. APP_MODE = 1 The TUSB6250 is running under firmware control.
1	RSV	0	Reserved
2	P34STEN	0	P3.4 status change detection enable. P34STEN = 0 Disable pin P3.4 status change detection P34STEN = 1 Enable pin P3.4 status change detection
3	P35STEN	0	P3.5 status change detection enable. P35STEN = 0 Disable pin P3.5 status change detection P35STEN = 1 Enable pin P3.5 status change detection
4	CD1STEN	0	Card/media detection-1 enable. CD1STEN = 0 Disable card/media $\overline{CD1}$ status detection CD1STEN = 1 Enable card/media $\overline{CD1}$ status detection
5	CD2STEN	0	Card/media detection-2 enable. CD2STEN = 0 Disable card/media $\overline{CD2}$ status detection CD2STEN = 1 Enable card/media $\overline{CD2}$ status detection
7-6	RSV	00	Reserved

6.3.5 PWONSUSP: Power-On Reset and Suspend Detection Register (at ESFR FDh)

The POSP bit of the PWONSUSP register provides a way to let the target ATA/ATAPI device distinguish between a power-up reset and a remote wakeup (or resume). The MCU can set the POSP bit when it decides to go into suspend.

The BANKSEL bits are used by the MCU to select one of the eight IDATA memory banks when running in a multitasking environment to speed up code execution. Figure 6-2 shows the IDATA space multibank memory configuration map.

The PWONSUSP register is cleared by a power-up reset or a WDT reset. A USB reset cannot reset the PWONSUSP register.

7	6	5	4	3	2	1	0
RSV	RSV	RSV	RSV	BANKSEL ₂	BANKSEL ₁	BANKSEL ₀	SCRATCH
R/O	R/O	R/O	R/O	R/W	R/W	R/W	R/W

BIT	NAME	RESET	FUNCTION
0	SCRATCH	0	This is a scratch bit that can be read and written by the MCU for any end-product-specific function, if supported by the end-product custom firmware. One of the recommended usages can be defined as a bit to indicate to the application firmware whether the power-up sequence that occurred on the ATA/ATAPI device was caused by a remote wakeup, resume from suspend, or a power-up reset. This can be achieved by the MCU writing a 1 to this bit before going into suspend.
3-1	BANKSEL [2:0]	000	IDATA bank select. The MCU can write to BANKSEL to select a particular bank in one of the eight IDATA bank spaces. Each bank has a capacity of 256 bytes with the middle 128 bytes shared with the other banks.
7-4	RSV	0h	Reserved = 0h

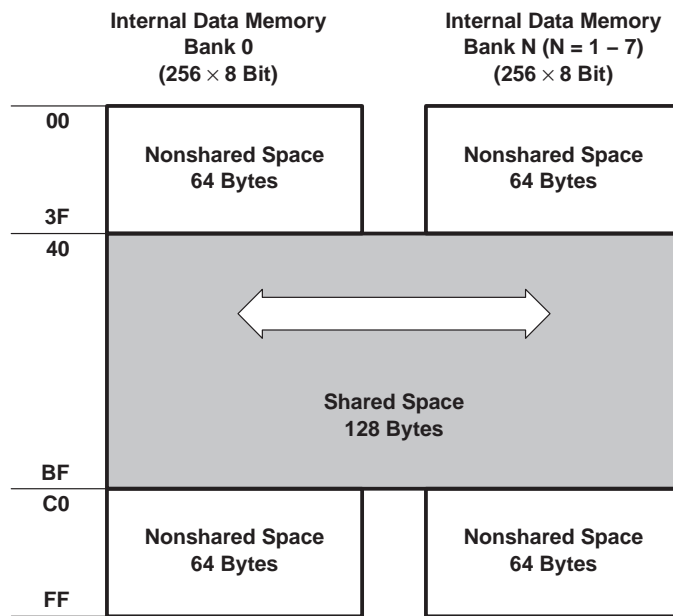


Figure 6-2. IDATA Space Memory Configuration

7 Interrupts

7.1 8051 Interrupt and Status Registers

Most 8051 standard interrupt sources (except external interrupt-0 and external interrupt-1) are supported. In addition, interrupt-5 and interrupt-6 are provided. The real-time kernel (RTK) uses interrupt-6. All additional internal interrupt sources specified in Section 7.2, *Additional Interrupt Sources*, are ORed together to generate interrupt-5. The standard interrupt enable (IE) register controls the enabling of the interrupt source.

External interrupt-0 and external interrupt-1 are not implemented (wired) in the TUSB6250.

There are some minor differences in the vector address between the standard 8051 and the TUSB6250. The standard 8051 has all the interrupt vector addresses starting with the prefix of 0x0000. In the TUSB6250, all interrupts being serviced perform a long jump from the boot code to 0x2xxx locations listed in Table 7–1. The EI5 has an additional overhead of eight instruction cycles before the boot code can jump to location 0x202B. The firmware must implement a vector address table starting at 0x2000 instead of 0x0000.

Unless specified, all standard 8051 interrupt registers listed in this section can be cleared by either a power-up reset or a WDT reset. They can also be cleared by a USB reset, when the function reset connection bit in the USBCTL register is set (FRSTE = 1).

Table 7–1. 8051 Standard/Extended Interrupt Location Map for Application Firmware

INTERRUPT SOURCE	DESCRIPTION	VECTOR ADDRESS FOR FIRMWARE	COMMENTS
EI6	RTK interrupt	0x2033	Interrupt for RTK support
EI5	Internal interrupt-5 (INT5)	0x202B	Used for internal vector interrupts
ES	UART interrupt	0x2023	
ET1	Timer-1 interrupt	0x201B	
EX1	External interrupt-1 (INT1)	0x2013	Not implemented
ET0	Timer-0 interrupt	0x200B	
EX0	External interrupt-0 (INT0)	0x2003	Not implemented
Reset		0x2000	After a power-up or a WDT reset, the boot code jumps to 0x2000, once the firmware download is finished.

NOTE: The interrupt and register bits marked in the shaded areas of this table are not implemented in the TUSB6250.

7.1.1 IE: Interrupt Enable Register (SFR at A8)

7	6	5	4	3	2	1	0
EA	RSV	EI5	ES	ET1	RSV	ETO	RSV
R/W	R/O	R/W	R/W	R/W	R/O	R/W	R/O

BIT	NAME	RESET	FUNCTION
0	RSV	0	Reserved
1	ETO	0	Enable or disable timer-0 interrupt. ETO = 0 Timer-0 interrupt is disabled ETO = 1 Timer-0 interrupt is enabled
2	RSV	0	Reserved
3	ET1	0	Enable or disable timer-1 interrupt. ET1 = 0 Timer-1 interrupt is disabled ET1 = 1 Timer-1 interrupt is enabled
4	ES	0	Enable or disable serial port interrupts. ES = 0 Serial port interrupt is disabled ES = 1 Serial port interrupt is enabled
5	EI5	0	Used for all internal interrupts. EI5 = 0 INT5 is disabled EI5 = 1 INT5 is enabled
6	RSV	0	Reserved
7	EA	0	Enable or disable all interrupts (global disable). EA = 0 Disable all interrupts EA = 1 Each interrupt source is individually controlled

7.1.2 IP: Interrupt Priority Register (SFR at B8)

7	6	5	4	3	2	1	0
RSV	RSV	PI5	PS	PT1	RSV	PT0	RSV
R/O	R/O	R/W	R/W	R/W	R/O	R/W	R/O

BIT	NAME	RESET	FUNCTION
0	RSV	0	Reserved
1	PT0	0	Selects ET0 priority. PT0 = 0 Low priority PT0 = 1 High priority
2	RSV	0	Reserved
3	PT1	0	Selects ET1 priority. PT1 = 0 Low priority PT1 = 1 High priority
4	PS	0	Selects ES priority. PS = 0 Low priority PS = 1 High priority
5	PI5	0	Selects EI5 priority. PI5 = 0 Low priority PI5 = 1 High priority
7-6	RSV	00	Reserved

7.1.3 IE1: Interrupt Enable Register (SFR at E8)

7	6	5	4	3	2	1	0
RSV	RSV	RSV	RSV	RSV	RSV	RSV	EI6
R/O	R/O	R/O	R/O	R/O	R/O	R/O	R/W

BIT	NAME	RESET	FUNCTION
0	EI6	0	Enable or disable RTK interrupt. EI6 = 0 RTK interrupt is disabled EI6 = 1 RTK interrupt is enabled
7-1	RSV	0	Reserved

7.1.4 IP1: Interrupt Priority Register (SFR at F8)

7	6	5	4	3	2	1	0
RSV	RSV	RSV	RSV	RSV	RSV	RSV	PI6
R/O	R/O	R/O	R/O	R/O	R/O	R/O	R/W

BIT	NAME	RESET	FUNCTION
0	PI6	0	Selects EI6 priority. EI6 = 0 Low priority EI6 = 1 High priority
7-1	RSV	0000 000	Reserved

7.1.5 TCON: Timer/Counter Control Register (SFR at 88)

The TCON register is the standard 8051 TCON register.

7	6	5	4	3	2	1	0
TF1	TR1	TF0	TR0	RSV	RSV	RSV	RSV
R/W	R/W	R/W	R/W	R/O	R/O	R/O	R/O

BIT	NAME	RESET	FUNCTION
3-0	RSV	0h	Reserved
4	TR0	0	Timer-0 control bit TR0 = 0 Timer is halted. TR0 = 1 Timer is running.
5	TF0	0	Timer-0 overflow flag TF0 = 0 Cleared by hardware when the MCU calls the interrupt routine TF0 = 1 Set by hardware when the timer overflows
6	TR1	0	Timer-1 control bit TR1 = 0 Timer is halted. TR1 = 1 Timer is running.
7	TF1	0	Timer-1 overflow flag TF1 = 0 Cleared by hardware when the MCU calls the interrupt routine TF1 = 1 Set by hardware when the timer overflows

7.2 Additional Interrupt Sources

All nonstandard 8051 interrupts (USB, I²C, ATA/ATAPI etc.) are ORed to generate an internal INT5. INT5 is an active low-level interrupt (not edge triggered). A vector interrupt register is provided to identify all interrupt sources (see Section 7.2.1, *VECINT: Vector Interrupt Register (ESFR at F7)*, for more details). Up to 64 interrupt vectors are provided. It is the responsibility of the MCU to read the vector and dispatch the proper interrupt routine.

The VECINT register is cleared by a power-up reset or a WDT reset. It can also be cleared by a USB reset when the function reset connection bit in the USBCTL register is set (FRSTE = 1). All the interrupts pending in the queue are cleared once any of the preceding reset events occurs.

7.2.1 VECINT: Vector Interrupt Register (ESFR at F7)

The VECINT register contains a vector value, which identifies the internal interrupt source that trapped to location 0x202B. Writing any value to the VECINT register removes the vector and updates the next vector value (if another interrupt is pending). Note that the vector value is offset; therefore, its value is in increments of two (bit 0 is set to 0). When no interrupt is pending, the vector is set to 00h. As shown in Table 7–2, the interrupt vector is divided into two fields: I[2:0] and G[3:0]. The I-field defines the interrupt source within a group (on a first-come, first-serve basis) and the G-field defines the group number. Group G0 is the lowest and G15 is the highest priority.

7	6	5	4	3	2	1	0
G3	G2	G1	G0	I2	I1	I0	0
R/O	R/O	R/O	R/O	R/O	R/O	R/O	R/O

BIT	NAME	RESET	FUNCTION
0	RSV	0	Reserved
3–1	I[2:0]	000	This field defines the interrupt source in a given group. See Table 7–2. Bit 0 is always = 0, therefore, vector values are offset by two.
7–4	G[3:0]	0h	This field defines the interrupt group. I[2:0] and G[3:0] combine to produce the actual interrupt vector.

Table 7–2. Vector Interrupt Values

G[3:0] (HEX)	I[2:0] (HEX)	VECTOR (HEX)	INTERRUPT SOURCE
0	0	00	No interrupt
1	0	10	Input endpoint-1 ACK
1	1	12	Input endpoint-2 ACK
1	2	14	Input endpoint-3 ACK
1	3	16	Input endpoint-4 ACK
1	4	18	Input endpoint-1 NACK
1	5	1A	Input endpoint-2 NACK
1	6	1C	Input endpoint-3 NACK
1	7	1E	Input endpoint-4 NACK
2	0	20	Output endpoint-1 ACK
2	1	22	Output endpoint-2 ACK
2	2	24	Output endpoint-3 ACK
2	3	26	Output endpoint-4 ACK
2	4	28	Output endpoint-1 NACK
2	5	2A	Output endpoint-2 NACK
2	6	2C	Output endpoint-3 NACK
2	7	2E	Output endpoint-4 NACK

Table 7–2. Vector Interrupt Values (Continued)

G [3:0] (HEX)	I [2:0] (HEX)	VECTOR (HEX)	INTERRUPT SOURCE
3	0	30	STPOW packet received
3	1	32	SETUP packet received
3	2	34	RESR interrupt
3	3	36	SUSPR interrupt
3	4	38	RSTR interrupt
3	5–7	3A–3E	Not used
4	0	40	Input endpoint-0 ACK
4	1	42	Output endpoint-0 ACK
4	2	44	Input endpoint-0 NACK
4	3	46	Output endpoint-0 NACK
4	4	48	ATA interrupt
4	5	4A	WAKCLK interrupt
4	6–7	4C → 4E	Not used
5–15	X	90 → FE	Not used

8 USB Function and Registers

The MCU and firmware or boot code configure the USB function characteristics of the TUSB6250 by configuring and updating the memory-mapped registers (located in XDATA space) described in this chapter.

8.1 USBCTL: USB Control Register (XDATA at F006)

The USBCTL register is cleared by a power up or a WDT reset. A USB reset cannot reset the USBCTL register.

7	6	5	4	3	2	1	0
CONT	LPEN	RWUPEN	FRSTE	HSTM2	HSTM1	HSTM0	DIR
R/W	R/W	R/W	R/W	R/W	R/W	R/W	R/W

BIT	NAME	RESET	FUNCTION
0	DIR	0	USB (control) transfer direction. As a response to a setup packet, the MCU decodes the request and sets/clears this bit to reflect the data transfer direction. This bit is used in the control transfer only. DIR = 0 USB data OUT transaction DIR = 1 USB data IN transaction
3-1	HSTM	000	USB 2.0 high-speed test mode and forced full speed. HSTM = 000 Normal operation (the USB speed is determined by the bus connection) HSTM = 001 Test mode test_SEO_NAK HSTM = 010 Test mode test_J HSTM = 011 Test mode test_K HSTM = 100 Test mode test_packet HSTM = 101 Normal operation (force USB full-speed connection by the MCU). A corresponding bit in the I ² C EEPROM header must be specified.
4	FRSTE	0	Function reset connection bit. This bit connects/disconnects the USB function reset from the MCU reset. FRSTE = 0 Function reset is not connected to the MCU reset. FRSTE = 1 Function reset is connected to the MCU reset.
5	RWUPEN	0	Device remote wakeup enable. RWUPEN = 0 Disable remote wakeup capability RWUPEN = 1 Enable remote wakeup capability
6	LPEN	0	Low-power enable. If set to 1, the TUSB6250 is in the low-power mode during suspend and the core clock is shut down. It is required that the self-powered application based on the TUSB6250 ensures this bit is cleared. In other words, the TUSB6250 does not support the low-power enable feature in the self-powered mode.
7	CONT	0	Connect/disconnect bit. This bit is used by the MCU to present a connect/disconnect condition on the upstream port. The MCU must check the VBUS line status before setting this bit. Hardware performs the connect to the USB bus immediately after the CONT bit is set without checking the VBUS line status. CONT = 0 Upstream port is disconnected. CONT = 1 Upstream port is connected.

8.1.1 USB Enumeration

The USB enumeration is accomplished by the interaction between the host PC software, the USB host controller and the boot code, the firmware, and the hardware of the TUSB6250. As described in Section 4.3.3, *Device Initialization*, after a power-up reset, the boot code checks the firmware type in the header block of the external I²C EEPROM and decides whether it must signal connection to the upstream USB host or hubs. If the boot code is responsible to signal connect as specified, it fetches all the required USB descriptors from the external I²C EEPROM and sets the CONT bit, which tells the TUSB6250 hardware to connect the external 1.5-kΩ full-speed pullup resistor to the 3.3-V power supply of the TUSB6250. This results in the DP line of the TUSB6250 being pulled up to the logic-high level to be recognized by the upstream USB host controller or hubs as a valid connection signal. The FRSTE bit is also set by the MCU, which enables the USB reset coming from the USB host after signal-connection to reset the MCU and its related registers as specified in Section 6.3, *MCU Control and Status Registers (in SFR and ESFR Space)*.

During enumeration, the boot code or firmware identifies the TUSB6250 as a USB mass storage class-specific device, which enables the USB host to load the appropriate driver for the TUSB6250.

The following are some important notes regarding the USBCTL register.

- The contents of this register are not affected by the USB reset.
- The signaling connect/disconnect is totally controlled by the boot code or firmware by setting/clearing the CONT bit of this register. The TUSB6250 hardware does not perform any automatic action for this function.

8.1.2 USB Reset

The TUSB6250 can detect a USB reset condition. When a USB reset occurs, the TUSB6250 responds by setting the function reset request (RSTR) bit in the USB status register (see *USBSTA: USB status register (XDATA at F008)*, Section 8.2). If the corresponding function reset interrupt enable (RSTR) bit in the USBMSDK: USB interrupt mask register (XDATA at F007), is set, an MCU interrupt is generated and the USB function reset (0x38) vector appears in the vector interrupt register (see *VECINT: Vector Interrupt Register (ESFR at F7)*, Section 7.2.1).

8.1.3 USB 2.0 Test Mode

The USB 2.0 specification defines some additional high-speed test modes. The USB 2.0 test mode function implemented in the TUSB6250 is accomplished by both hardware and firmware. The MCU and firmware are responsible for decoding the test mode commands from the USB host and then selecting one of the four test modes based on the command received by setting the HSTM bits in the USBCTL register. Additional details regarding the hardware and firmware behaviors in the test mode are described below:

- HSTM = 001 (Test_SE0_NAK): The TUSB6250 hardware only treats this mode as a normal operation mode and does not perform any special test-mode function. The firmware must set NAK bits to 1 so that the hardware can behave as Test_SE0_NAK defined and respond to any IN token packet with a NAK handshake, as long as the packet CRC is correct.
- HSTM = 010 (Test Mode Test_J): The TUSB6250 hardware automatically performs the required task in this test mode. The firmware only must set HSTM bits to initiate the test.
- HSTM = 011 (Test Mode Test_K): The TUSB6250 hardware automatically performs the required task in this test mode. The firmware only must set this bit to initiate the test.
- HSTM = 100 (Test Mode Test_Packet): The TUSB6250 hardware supports this mode; however, it requires the firmware to load the data payload into the X-buffer of IN-endpoint-0 and specify the byte-count information. The hardware sends the packet repetitively.

8.2 USBMSK: USB Interrupt Mask Register (XDATA at F007)

Bits[5:0] of the USBMSK register provide a mechanism to allow the MCU and firmware to enable or disable the generation of certain types of interrupts based on the corresponding status or events that occurred.

The USBMSK register is cleared by a power up or a WDT reset. A USB reset cannot reset the USBMSK register.

7	6	5	4	3	2	1	0
RSV	RSV	RSTR	SUSPR	RESUR	WAKCLK	SETUP	STPOW
R/O	R/O	R/W	R/W	R/W	R/W	R/W	R/W

BIT	NAME	RESET	FUNCTION
0	STPOW	0	SETUP overwrite interrupt enable bit STPOW = 0 STPOW interrupt disabled STPOW = 1 STPOW interrupt enabled
1	SETUP	0	SETUP interrupt enable bit SETUP = 0 SETUP interrupt disabled SETUP = 1 SETUP interrupt enabled
2	WAKCLK	0	Wakeup clock interrupt enable. WAKCLK = 0 Wakeup clock interrupt disabled WAKCLK = 1 Wakeup clock interrupt enabled
3	RESUR	0	Function resume interrupt enable RESUR = 0 Function resume interrupt disabled RESUR = 1 Function resume interrupt enabled
4	SUSPR	0	Function suspend interrupt enable SUSPR = 0 Function suspend interrupt disabled SUSPR = 1 Function suspend interrupt enabled
5	RSTR	0	Function reset interrupt enable RSTR = 0 Function reset interrupt disabled RSTR = 1 Function reset interrupt enabled
7-6	RSV	00	Reserved. Application firmware must ensure these 2 bits are set to 00 during normal operation.

8.3 USBSTA: USB Status Register (XDATA at F008)

Each bit in the USBSTA register can generate an interrupt if its corresponding mask bit is set in the USBMSK register. The related interrupt is cleared when the corresponding status bit is cleared by the MCU except the WAKCLK interrupt. All bits in this register are set by the hardware and can only be cleared by the MCU by writing a 1 to the proper bit location (writing a 0 has no effect).

The USBSTA register (excluding the RSTR bit) is cleared by a power-up reset or a WDT reset. It can also be cleared by a USB reset, when the function reset connection bit in the USBCTL register is set (FRSTE = 1).

The RSTR bit of the USBSTA register can only be cleared by a power-up reset or a WDT reset. A USB reset sets this bit to 1.

7	6	5	4	3	2	1	0
RSV	RSV	RSTR	SUSPR	RESUR	WAKCLK	SETUP	STPOW
R/O	R/O	R/C	R/C	R/C	R/C	R/C	R/C

BIT	NAME	RESET	FUNCTION
0	STPOW	0	SETUP overwrite bit. Set by the hardware when the setup packet is received, while there is already a packet in the setup buffer. The MCU clears this bit by writing a 1 (writing 0 has no effect).
1	SETUP	0	SETUP transaction received bit. As long as SETUP is 1, IN and OUT on endpoint-0 are NAKed, regardless of their real NAK bits value. The MCU clears this bit by writing a 1 (writing 0 has no effect).
2	WAKCLK	0	Wakeup clock request bit. When WAKCLK interrupt is enabled, this bit is set in response to the status change on any of these pins: VBUS, P3.4, P3.5, $\overline{CD1}$, or $\overline{CD2}$. The interrupt generated due to this bit in turn wakes up the core clock if it has been shut down during suspend, when the remote wakeup is enabled. WAKCLK = 0 No wakeup clock event (status change on the five GPIO pins) is detected since the last time the MCU clears the related status-change bit in USBWKUP. WAKCLK = 1 Wakeup clock event (any status change on the five GPIO pins) is detected since the last time the MCU clears the related status-change bit in USBWKUP.
3	RESUR	0	Function resume request bit. The MCU clears this bit by writing a 1 (writing 0 has no effect). RESUR = 0 No function resume is detected. RESUR = 1 Function resume is detected.
4	SUSPR	0	Function suspended request bit. This bit is set in response to a global or selective suspend condition. The MCU clears this bit by writing a 1 (writing 0 has no effect). SUSPR = 0 No function suspend is detected. SUSPR = 1 Function suspend is detected.
5	RSTR	0	Function reset request bit. This bit is set in response to the host initiating a port reset to the TUSB6250. The USB function reset is the condition to set this bit, not clear this bit. The MCU clears this bit by writing a 1 (writing 0 has no effect). RSTR = 0 No function reset is detected. RSTR = 1 Function reset is detected.
6-7	RSV	00	Reserved = 0

8.3.1 USB Suspend

The USB 2.0 specification requires that all USB devices must support the suspend state. The USB devices begin the transition to the suspend state after they see a constant idle state on their upstream facing bus lines for more than 3 ms. The device must actually be suspended, drawing only suspend current from the bus after no more than 10 ms of bus inactivity on its port. The specification also requires that a device with remote wakeup capability may not generate resume signaling, unless the bus has been continuously in the idle state for 5 ms.

In other words, the specification allows all USB devices to enter suspend at any time between 3 ms to 10 ms after bus idle. For USB high-speed capable devices, because there is an additional 0.125-ms revert-wait time from high-speed to full-speed after 3-ms high-speed bus idle, the actual time to enter suspend is between 3.125 ms and 10 ms.

For the TUSB6250, the timing to enter the USB suspend is controlled by the application firmware running on the embedded MCU. This flexibility allows the firmware to delay the time to go into suspend when the MCU is currently busy on some tasks that must be finished before the suspend.

Because the firmware controls the time to enter the suspend, in order to be compliant with USB 2.0 specification, it is firmware responsibility to ensure that it clears the SUSPR interrupt status bit before 10 ms expires.

The normal procedure during the bus idle and suspend condition is described as follows:

1. The TUSB6250 hardware detects 3-ms bus idle.
2. If the current USB bus connection is full speed, the TUSB6250 hardware sets the SUSPR bit in the USBSTA register and generates an SUSPR (function suspend request) interrupt to the MCU.
If the current USB bus connection is high-speed, the TUSB6250 hardware reverts back to a full-speed connection within 0.125 ms, then sets the SUSPR bit and generates the SUSPR interrupt.
3. The firmware can check whether there is any task that must be finished before the suspend and performs it if desired. The firmware must ensure it grants the suspend request before 10 ms expires.
4. Once the firmware is ready to enter suspend, it clears the SUSPR bit in the USBSTA register. The TUSB6250 hardware shuts the clock down (if LPEN = 1) and enters the suspend state.

8.3.2 WAKCLK Interrupt and Remote Wakeup

8.3.2.1 WAKCLK Interrupt Behavior

Figure 8–1 illustrates how the WAKCLK interrupt and WAKCLK status-change events are generated and cleared. The top portion of the diagram shows how each of the WAKCLK status-change events causes the WAKCLK bit in the USBSTA register to be set, if the WAKCLK interrupt is enabled in the USBMSK register (for illustration purpose, WAKCLK_en = 1 in Figure 8–1 implies WAKCLK = 1 in USBMSK). The VBUSCHG_det and the other three status-change event detection signals are generated internally by the TUSB6250 hardware, whenever a WAKCLK status-change event occurs on the VBUS pin or the other four remote wakeup capable port 3 GPIO pins (P3.2, P3.3, P3.4, and P3.5). These four status-change-event detection signals, lasting one clock cycle, are ORed together to form a single cycle pulse to set the WAKCLK bit in the USBSTA register, as long as the WAKCLK interrupt is enabled and the WAKCLK bit is not set.

Described below are important behaviors regarding the WAKCLK interrupt.

- The WAKCLK interrupt is triggered if any one of the four status-change events occurs, when the WAKCLK bit is not yet set in USBSTA, the core clock is available, and the WAKCLK interrupt is enabled.
- The WAKCLK interrupt is shared among four different status-change events (interrupt sources). Before the MCU clears the WAKCLK interrupt triggered by the first event, any new status-change event occurring does not trigger a new WAKCLK interrupt. In other words, multiple status-change events only trigger one WAKCLK interrupt before the MCU clears the existing WAKCLK residing in the interrupt queue.
- For the same reason, because the WAKCLK interrupt is shared, writing a 1 to the WAKCLK bit in the USBSTA register clears the interrupt triggered by all the WAKCLK interrupt sources (status-change events), although the individual status-change event bits are still kept in the USBWKUP register. In other words, clearing one WAKCLK interrupt is like clearing all WAKCLK interrupts triggered by multiple status-change events; although physically there is only one WAKCLK interrupt residing in the interrupt queue.
- To avoid potential interrupt loss caused by mistaken writes, firmware developers must follow the recommended procedure when servicing the WAKCLK interrupt. In summary, the WAKCLK bit must be cleared before any status-change bit is cleared in the USBWKUP register.
 - Once triggered by the WAKCLK interrupt, the firmware first must write a 1 to the WAKCLK bit in the USBSTA register to clear the physical interrupt;

-
- The firmware then performs a read to the USBWKUP register to reveal which status-change event bit is set. If multiple events occurred, the firmware must service all of them individually.
 - After servicing the WAKCLK interrupt for each individual status-change event, the firmware must write a 1 to the corresponding bit in the USBWKUP register to clear such status-change event.

8.3.2.2 WAKCLK Interrupt Function During Normal Operation (When the TUSB6250 is not in the USB Suspend State)

The WAKCLK interrupt provided by the TUSB6250 can be used for a variety of functions under different operating conditions, other than just the remote wakeup interrupt in the suspend state. These functions can include compact flash card detection, removable media insertion/eject, or an external event from another on-board DSP as an end-product-specific-function, etc.

In other words, other than the VBUS status-change detection that has its fixed functionality, the other three status-change events can be implemented as interrupt-specific to an end-product function as described previously.

8.3.2.3 WAKCLK Interrupt Functions as a Remote Wakeup Interrupt (When the TUSB6250 is in the USB Suspend State)

One common function of the WAKCLK interrupt is that it can be used as the remote wakeup interrupt. If the TUSB6250 is in the USB suspend state, as long as the remote wakeup and the individual WAKCLK status-change event detection (no need for VBUS detection, which is always enabled) are enabled, any VBUS or status-change event causes the TUSB6250 to wake the core clock up, generate a WAKCLK interrupt to the MCU, and send USB resume signaling to the upstream USB host. The resume signaling is sent by the TUSB6250 hardware when either the WAKCLK interrupt is cleared by the firmware or 10 ms is reached after the hardware triggers the WAKCLK interrupt to the MCU, whichever occurs first.

It is important to understand that all USB devices only report to the upstream USB host whether they are remote wakeup capable. It is up to the USB host to decide whether to enable a USB device's remote wakeup capability through the Set_Feature command.

The TUSB6250 offers a unique feature that allows its remote wakeup capability to be disabled, while the TUSB6250 is still able to capture and remember the status-change event that occurred during the USB suspend state.

When the TUSB6250 is in the suspend state, with the remote wakeup disabled (RWUPEN bit of the USBCTL register is cleared), the following two scenarios describe whether and how the core clock of the TUSB6250 is awakened due to the WAKCLK status-change event.

- If the low-power enable bit (LPEN) is not set in the USBCTL register, the TUSB6250 has no need to wake the clock up, because the clock is not disabled and is still running during suspend. Any valid WAKCLK status-change event can cause a WAKCLK interrupt to be generated. This normally happens for a self-powered application.
- If the low-power enable bit (LPEN) is set in the USBCTL register, the core clock is shut down during suspend. The WAKCLK interrupt event that occurred during suspend is captured and remembered using asynchronous logic, however no interrupt is triggered. The TUSB6250 keeps the core clock shut down and remains in the suspended state until the core clock is available, which is when the USB host signals resume to the TUSB6250. When the core clock is available, the remembered WAKCLK event triggers the actual interrupt.

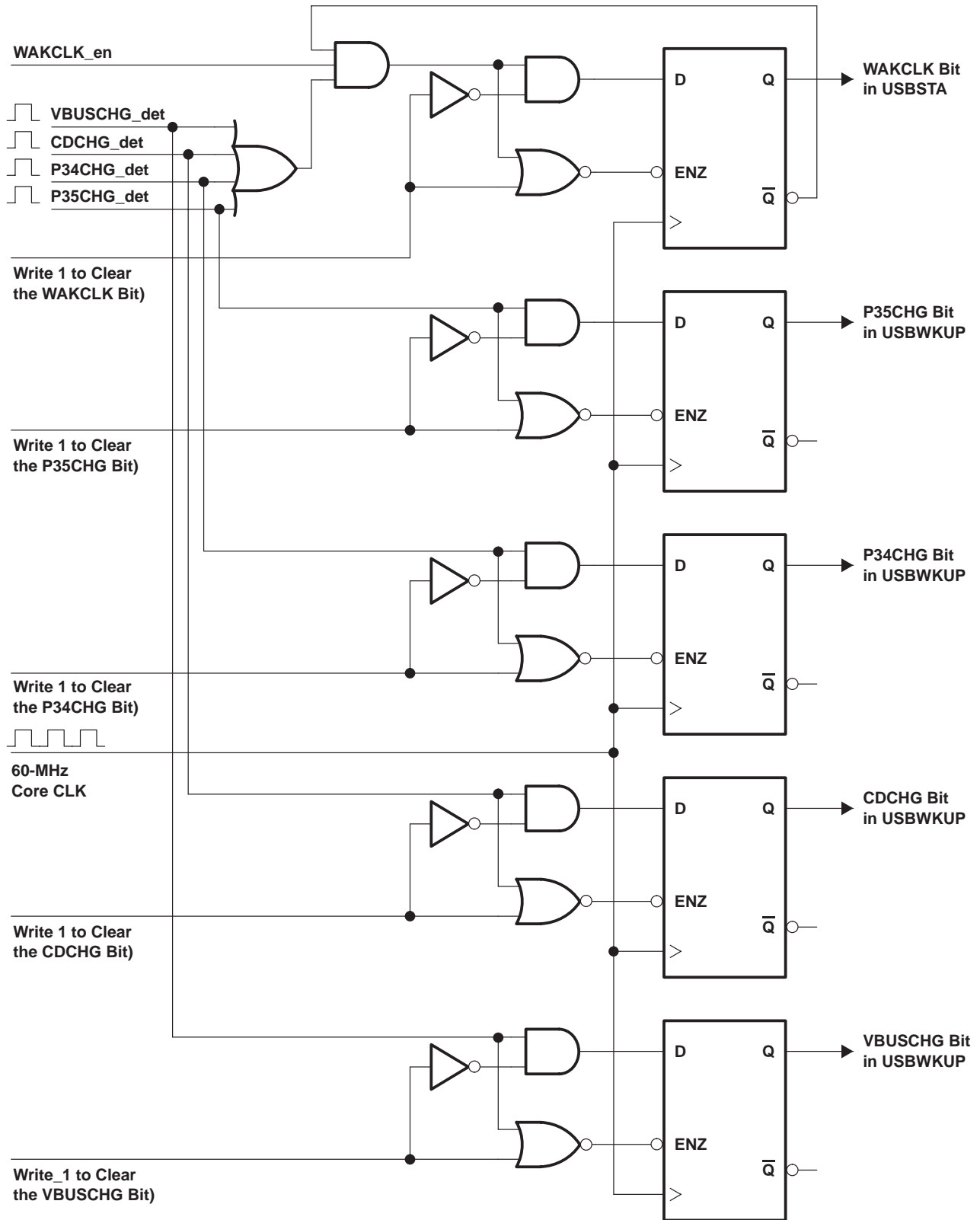


Figure 8–1. WAKCLK Interrupt and Wakeup Status-Change Illustration Logical Diagram

8.3.2.4 Register Settings Affect the WAKCLK Interrupt

The seven enable bits listed in Table 8–1 greatly affect the behavior and function of the WAKCLK interrupt function.

Table 8–1. Register Setting for the WAKCLK Interrupt and Remote Wakeup

BIT NAME	BIT LOCATION IN REGISTER	FUNCTION CONTROLLED
LPEN	USBCTL[6]	Low-power enable. LPEN controls whether the core clock of the TUSB6250 is shut down when the TUSB6250 enters the USB suspend state.
WAKCLK	USBMSK[2]	WAKCLK interrupt enable. WAKCLK controls: <ul style="list-style-type: none"> • Whether the WAKCLK interrupt is generated when VBUS or any other status-change events occur. • Whether the core clock of the TUSB6250 is awakened in the suspend state along with the RWUPEN bit setting.
RWUPEN	USBCTL[5]	Remote wakeup enable. RWUPEN controls: <ul style="list-style-type: none"> • Whether the core clock of the TUSB6250 is awakened in the suspend state along with the WAKCLK bit setting. • Whether the USB resume signaling is sent to the upstream USB host when any remote wakeup event occurs at either the VBUS pin or any of the four remote wakeup-capable GPIOs.
P34STEN	MCUCNFG[2]	GPIO port3.4 status-change detection enable. P34STEN allows the firmware to enable/disable the status-change detection on the port3.4 pin.
P35STEN	MCUCNFG[3]	GPIO port3.5 status-change detection enable. P35STEN allows the firmware to enable/disable the status-change detection on the port3.5 pin.
CD1STEN	MCUCNFG[4]	Card detection-1 status-change enable. CD1STEN allows the firmware to enable/disable the status-change detection on the port3.2 pin.
CD2STEN	MCUCNFG[5]	Card detection-2 status-change enable. CD2STEN allows the firmware to enable/disable the status-change detection on the port3.3 pin.

In summary, to configure the WAKCLK interrupt and remote wakeup, it is important to ensure that:

- When the remote wakeup is desired (this means sending resume signaling to the host is desired), both WAKCLK and RWUPEN must be set.
- If the remote wakeup is not desired (this means no resume signaling to the host is desired), while the end-product application cannot afford losing any status-change event that might occur when the TUSB6250 is in the USB suspend state, the WAKCLK bit can be set, and the RWUPEN bit can be disabled.

8.4 FUNADR: Function Address Register (XDATA at F009)

The FUNADR register contains the current setting of the USB device address assigned to the USB function of the TUSB6250 by the USB host. After a power-up reset or a USB reset, the default function address is 00h. During the enumeration of the USB function of the TUSB6250 by the host, the MCU and firmware load the assigned address from the host to the FA[6:0] bits of the FUNADR register on receiving a USB Set_Address request at the control endpoint.

The HS bit of the FUNADR register reflects the TUSB6250's current connection speed on the USB bus.

The FUNADR register is cleared by a power-up reset, a WDT reset, or a USB reset (regardless of whether the function reset connection bit is set in the USBCTL register).

7	6	5	4	3	2	1	0
HS	FA6	FA5	FA4	FA3	FA2	FA1	FA0
R/O	R/W	R/W	R/W	R/W	R/W	R/W	R/W

BIT	NAME	RESET	FUNCTION
6-0	FA[6:0]	0000000	These bits define the current device address assigned to the function. The MCU writes a value to this register as a result of the SET-ADDRESS host command.
7	HS	0	High-speed connection status. This bit reflects the type of USB connection speed on the upstream transceivers. This bit is set automatically by the transceiver selection logic and the MCU can only read this bit. HS = 0 Indicates full-speed connection HS = 1 Indicates high-speed connection

8.5 UTMICFG: UTMI Configuration Status Register (XDATA at F00A)

The UTMICFG register provides the current status of the UTMI configuration of the integrated USB 2.0 UTMI-compliant PHY.

The UTMICFG register is cleared by a power-up reset or a WDT reset. A USB reset cannot clear the UTMICFG register.

7	6	5	4	3	2	1	0
SUSPNST	VBUS	XCVR_SEL	TERM_SELECT	LINE_STATE1	LINE_STATE0	OP_MOD1	OP_MOD0
R/O	R/O	R/O	R/O	R/O	R/O	R/O	R/O

BIT	NAME	RESET	FUNCTION
1-0	OP_MOD[1:0]	01	These bits define the current device operation mode to USB 2.0 PHY.
3-2	LINE_STATE[1:0]	Bus	This bit reflects the current line_state on DP and DM. (See Note 1)
4	TERM_SELECT	1	USB 2.0 transceiver termination select. TERM_SELECT = 0 HS termination is enabled. TERM_SELECT = 1 FS termination is enabled.
5	XCVR_SEL	1	USB 2.0 transceiver select. XCVR_SEL = 0 HS transceiver is enabled. XCVR_SEL = 1 FS transceiver is enabled.
6	VBUS	Bus	VBUS status. (See Note 1) VBUS = 0 VBUS power is not present. VBUS = 1 VBUS power is present.
7	SUSPNST	0	Suspend status. This bit, when set, indicates the TUSB6250 is currently in USB suspend state. Whether or not the core clock is still running depends on the setting of the LPEN bit in the USBCTL register. SUSPNST = 0 The TUSB6250 is not in the USB suspend state. SUSPNST = 1 The TUSB6250 is in the USB suspend state.

NOTE 1: The reset value for both the LINE_STATE and VBUS are denoted as bus, which means that their actual reset value depends on the actual condition of the USB bus data line and VBUS during reset.

8.6 USBFCL: USB Frame Counter Low-Byte Register (XDATA at F00B)

The USBFCL register contains the read-only USB frame counter low-byte value of the 11-bit frame number value received from the USB host in the start-of-frame packet. The frame number bit values are updated by the hardware for each USB frame with the frame number field value received in the USB start-of-frame packet. The frame number can be used as a time stamp by the USB function. If the frame number of the TUSB6250 is not locked to the USB host frame timer, then the frame number is incremented from the previous value when a pseudo start-of-frame occurs.

The USBFCL register is cleared by a power-up reset or a WDT reset. A USB reset cannot clear the USBFCL register.

7	6	5	4	3	2	1	0
FRAMNUM7	FRAMNUM6	FRAMNUM5	FRAMNUM4	FRAMNUM3	FRAMNUM2	FRAMNUM1	FRAMNUM0
R/O	R/O	R/O	R/O	R/O	R/O	R/O	R/O
BIT	NAME	RESET	FUNCTION				
7-0	FRAMNUM[7:0]	00h	These bits indicate the frame number lower-order 8-bit value.				

8.7 USBFCH: USB Frame Counter High-Byte Register (XDATA at F00C)

The FRAMNUM[10:8] bits of the USBFCH register contain the read-only USB frame counter high-byte value of the 11-bit frame number value received from the USB host in the start-of-frame packet. The UFRMNUM[2:0] bits contain the read-only micro frame number.

The USBFCH register is cleared by a power-up reset or a WDT reset. A USB reset cannot clear the USBFCH register.

7	6	5	4	3	2	1	0
RSV	RSV	UFRAMNUM2	UFRAMNUM1	UFRAMNUM0	FRAMNUM10	FRAMNUM9	FRAMNUM8
R/O	R/O	R/O	R/O	R/O	R/O	R/O	R/O
BIT	NAME	RESET	FUNCTION				
2-0	FRAMNUM[10:8]	000	These bits indicate the frame number higher-order 3-bit value.				
5-3	UFRAMNUM[2:0]	000	These three bits indicate the microframe number.				
7-6	RSV	00	Reserved. The application firmware must ensure these two bits are set to 00 during normal operation.				

8.8 USBWKUP: USB Wake-Up Reason Register (XDATA at F00D)

The USBWKUP register indicates the USB wakeup event reason (source) from the embedded MCU's port-3 GPIO pins and VBUS pin.

All four status-change bits (P34CHG, P35CHG, VBUSCHG, and CDCHG) in the USBWKUP register are set individually by the hardware when their corresponding enable bit is set in the MCUCNFG register (at ESFR FCh), with the exception that VBUSCHG is always enabled. They can be cleared by the MCU writing a 1 to the proper bit location (writing a 0 has no effect). In addition, the OR-result of these four status-change bits, when set, generates the WAKCLK interrupt if the interrupt is enabled in the USBMSK register (R/C notation indicates read and set-to-clear only by the MCU).

Any status-change bit, when set, indicates there is a status-change event that occurred since the last time the MCU cleared the same status-change bit. Below are important notes regarding the consecutive status-change events that occur before the MCU services and clears the current WAKCLK interrupt, assuming the related status-change event is enabled in the MCUCNFG register.

- As described in Section 8.3.2, *WAKCLK Interrupt and Remote Wakeup*, regardless if the new status-change event occurring is the same as the one that already occurred, consecutive status-change

events do not trigger a new WAKCLK interrupt if there is already a WAKCLK interrupt in the queue. This avoids the MCU being interrupted by too many WAKCLK interrupts.

- Following the same guideline, when consecutive status-change events happen:
 - If the source of the new status-change event that occurred is different from the ones that already occurred, the new status-change event is logged in the corresponding status-change bit of the USBWKUP register. For example, if the CDCHG bit is already set, but VBUSCHG bit is not set, a new VBUS status change causes the VBUSCHG bit to be set, although it might not trigger a new WAKCLK interrupt if the current WAKCLK interrupt is still in the queue.
 - If the source of the new status-change event occurred is the same as the ones that already occurred, the new status-change event is ignored. For example, if CDCHG bit is still set, but a new CDCHG event is detected, the new CDCHG status-change event is ignored. This avoids unnecessary changes in the status-change bits of the USBWKUP register caused by redundant status-change events.
- For detailed information regarding the WAKCLK interrupt, see Section 8.3.2, *WAKCLK Interrupt and Remote Wakeup*.
- Even if the WAKCLK interrupt is not enabled, the status-change events can still be observed by polling the MCUCNFG register, as long as the event detection is enabled in the MCUCNFG register.

The CD1STEN and CD2STEN bits in the MCUCNFG register can be individually enabled for separate wakeup event detection. However, because these two bits share the same status-change indication bit (CDCHG) in the USB wakeup reason register, clearing one interrupt source results in the interrupt source indication of the other being cleared at the same time.

To avoid missing status changes on the port-3 GPIO, especially in the suspend condition in which the clock may be shut down, the following two sets of circuitries are used for generating the four status-change bits (bit 7 to 4).

- Debounced status-change circuitry is used whenever the clock is available and stable. The debouncing time interval is 1.28 ms, which means that only switching lasting longer than 1.28 ms is considered a valid logic transition on the related port-3 GPIO pin.
- Asynchronously triggered status-change circuitry is used to latch the change event when the remote wakeup is disabled and the low-power enable is true (LPEN bit in USBCTL is set), while the TUSB6250 is in the suspend state.

Bits[3:0] provide the debounced read-only value of the current logic level on the corresponding GPIO pins of port 3. The debouncing time interval is 1.28 ms.

The USBWKUP register is cleared by a power-up reset or a WDT reset. A USB reset cannot clear the USBWKUP register.

7	6	5	4	3	2	1	0
P35CHG	P34CHG	VBUSCHG	CDCHG	P35ST	P34ST	CD2ST	CD1ST
R/C	R/C	R/C	R/C	R/O	R/O	R/O	R/O

BIT	NAME	RESET	FUNCTION
0	CD1ST	1	Compact flash card/media detection $\overline{\text{CD1}}$ status bit. This bit represents the debounced status value on the $\overline{\text{CD1}}$ pin. CD1ST = 1 CF card/media is not inserted. CD1ST = 0 CF card/media may be inserted (a firm insertion depends on the status on both media detection pins).
1	CD2ST	1	Compact flash card/media detection $\overline{\text{CD2}}$ status bit. This bit represents the debounced status value on the $\overline{\text{CD2}}$ pin. CD2ST = 1 CF card/media is not inserted. CD2ST = 0 CF card/media may be inserted (a firm insertion depends on the status on both media detection pins).

BIT	NAME	RESET	FUNCTION
2	P34ST	0	P3.4 status bit. This bit represents the debounced status value on the P3.4 pin.
3	P35ST	0	P3.5 status bit. This bit represents the debounced status value on the P3.5 pin.
4	CDCHG	0	Compact flash card/media detection pin status-change bit. This bit, when set, indicates a status change occurred at either the CD1 or CD2 pin. The firmware must read the status of these two pins to ensure a correct media insertion. CDCHG = 0 No CF card/media detection status change occurred. CDCHG = 1 CF card/media detection status change occurred on at least one CD pin.
5	VBUSCHG	0	VBUS status-change bit. VBUSCHG = 0 No VBUS status change occurred. VBUSCHG = 1 A VBUS status change occurred.
6	P34CHG	0	P34CHG status-change bit. P34CHG = 0 No P3.4 pin status change occurred. P34CHG = 1 A P3.4 pin status change occurred.
7	P35CHG	0	P35CHG status-change bit. P35CHG = 0 No P3.5 pin status change occurred. P35CHG = 1 A P3.5 pin status change occurred.

8.9 Endpoint-0 Descriptor Registers

All EDBs (endpoint descriptor block, including EDB-0 and EDB-1 to EDB-4) are implemented in registers. Their respective endpoint data buffers are implemented in SPRAM. Table 8–2 defines the registers and their respective address used for EDB-0.

EDB-0 has no base-address register, because these addresses are hardwired and depend on the configuration set by the BZ[1:0] bits in the IEPCNFG_0 register (see Table 8–3).

Table 8–2. Input/Output EDB-0 Registers

ADDRESS	REGISTER NAME	DESCRIPTION
F004	OEPBCNX_0	Output endpoint_0: X-buffer byte-count register
F003	OEPCNFG_0	Output endpoint_0: configuration register
F001	IEPBCNX_0	Input endpoint_0: X-buffer byte-count register
F000	IEPCNFG_0	Input endpoint_0: configuration register

Table 8–3. Input/Output EDB-0 Buffer Location as Defined by BZ[1:0]

IN/OUT ENDPOINT-0	DBUF=0	BZ[1:0]=0	BZ[1:0]=1	BZ[1:0]=2	BZ[1:0]=3
	SIZE (BYTES) =	8	16	32	64
Input	End address	E00F	E01F	E03F	E07F
	IEP0BA =	E008	E010	E020	E040
Output	End address	E007	E00F	E01F	E03F
	OEPOBA =	E000	E000	E000	E000

8.9.1 IEPCNFG_0: Input Endpoint-0 Configuration Register (XDATA at F000)

The IEPCNFG_0 register contains various bits used to configure and control this endpoint.

7	6	5	4	3	2	1	0
UBME	NAK_INTE	TOGGLE	RSV	STALL	USBIE	BZ ₁	BZ ₀
R/W	R/W	R/O	R/O	R/W	R/W	R/W	R/W

BIT	NAME	RESET	FUNCTION
1-0	BZ[1:0]	00b	Endpoint-0 buffer size for IN and OUT transaction. The value of this field also defines the starting address of the input buffer. See Table 8-3. 00 = 8 bytes 01 = 16 bytes 10 = 32 bytes 11 = 64 bytes
2	USBIE	0	USB interrupt enable on transaction completion. Set/cleared by the MCU. USBIE = 0 No interrupt USBIE = 1 Interrupt on transaction completion
3	STALL	0	USB stall condition indication. Set/cleared by the MCU. STALL = 0 No stall STALL = 1 USB stall condition. If set by the MCU, a STALL handshake is initiated and the bit is cleared automatically by the next setup transaction.
4	RSV	0	Reserved
5	TOGGLE	0	USB toggle bit. The hardware resets this bit when the setup packet is received.
6	NAK_INTE	0	NAK interrupt enable NAK_INTE = 0 NAK does not trigger interrupt. NAK_INTE = 1 NAK triggers an interrupt.
7	UBME	0	UBM enable/disable bit. Set/cleared by the MCU. UBME = 0 UBM cannot use this endpoint. UBME = 1 UBM can use this endpoint.

8.9.2 IEPBCN_0: Input Endpoint-0 Buffer Byte-Count Register (XDATA at F001)

The IEPBCN_0 register contains the NAK bit and the 7-bit value used to specify the amount of data to be transmitted in a data packet to the USB host.

7	6	5	4	3	2	1	0
NAK	C6	C5	C4	C3	C2	C1	C0
R/W	R/W	R/W	R/W	R/W	R/W	R/W	R/W

BIT	NAME	RESET	FUNCTION
6-0	C[6:0]	0000000	Byte count. Only count of 0 to 64 (00h to 40h) is supported. 00h Byte count = 0 : 40h Byte count = 64 41h to 7Fh should not be used. If the MCU writes any value greater than 0x40 to C[6:0], the TUSB6250 hardware corrects it and only writes 0x40 to C[6:0].
7	NAK	1	NAK=0 Buffer contains a valid packet for Host-IN request. NAK=1 Buffer is empty (TUSB6250 NAKs the host-IN request).

8.9.3 OEPCNFG_0: Output Endpoint-0 Configuration Register (XDATA at F003)

The OEPCNFG_0 register contains various bits used to configure and control this endpoint.

7	6	5	4	3	2	1	0
UBME	NAK_INTE	TOGGLE	RSV	STALL	USBIE	RSV	RSV
R/W	R/W	R/O	R/O	R/W	R/W	R/O	R/O

BIT	NAME	RESET	FUNCTION
1-0	RSV	00	Reserved = 00
2	USBIE	0	USB interrupt enable on transaction completion. Set/cleared by the MCU. USBIE = 0 No interrupt USBIE = 1 Interrupt on transaction completion
3	STALL	0	USB stall condition indication. Set/cleared by MCU. STALL = 0 No stall STALL = 1 USB stall condition. If set by the MCU, a STALL handshake is initiated and the bit is cleared automatically.
4	RSV	0	Reserved = 0
5	TOGGLE	0	USB toggle bit
6	NAK_INTE	0	NAK interrupt enable NAK_INTE = 0 NAK does not trigger an interrupt. NAK_INTE = 1 NAK triggers an interrupt.
7	UBME	0	UBM enable/disable bit. Set/cleared by the MCU. UBME = 0 UBM cannot use this endpoint. UBME = 1 UBM can use this endpoint.

8.9.4 OEPBCN_0: Output Endpoint-0 Buffer Byte-Count Register (XDATA at F004)

The OEPBCN_0 register contains the NAK bit and a 7-bit value used to specify the amount of data received in a data packet from the USB host.

7	6	5	4	3	2	1	0
NAK	C ₆	C ₅	C ₄	C ₃	C ₂	C ₁	C ₀
R/W	R/O	R/O	R/O	R/O	R/O	R/O	R/O

BIT	NAME	RESET	FUNCTION
6-0	C[6:0]	0000000	Byte count. Only count of 0 to 64 (00h to 40h) is supported. 00h Byte count = 0 : 40h Byte count = 64 41h to 7Fh should not be used. If the USB host sends more than 64 bytes of data to this endpoint, the TUSB6250 hardware treats it as an illegal packet. When this condition happens, the hardware does not update the byte count in the OEPBCN_0 register if it contains the value from the previous packet. There is no ACK or NAK response generated by the hardware. The MCU is not informed with the arrival of this illegal packet.
7	NAK	0	NAK = 0 Buffer is empty and ready for a host-out request. NAK = 1 Buffer contains a valid packet from host (TUSB6250 NAKs the host-OUT request).

Table 8–4 shows the buffer location address map for a single buffer with a buffer size of 64 bytes.

Table 8–4. EDB0 Buffer Locations (in SPRAM)

ADDRESS	NAME	DESCRIPTION
EFFF ↑ ↓ E080	TOPBUFF	Top of buffer space Buffer space 4K – 128 bytes free
E07F ↑ ↓ E040	64 bytes	↑ ↓ Input endpoint_0, buffer ↓
E03F ↑ ↓ E000	64 bytes	↑ ↓ Output endpoint_0, buffer ↓

NOTE: This table is based on a single buffer with a buffer size of 64 bytes for both input and output endpoint-0.

8.10 Endpoint Descriptor Block (EDB-1 to EDB-4)

The endpoint descriptor block (EDB) defines the endpoint characteristics for data transfer between the USB and the UBM. Four input and four output endpoints are provided. All EDBs are implemented in memory-mapped registers as defined in Table 6–2.

Double data buffers are provided for EDB-1 to EDB-4 (both input and output endpoints). The firmware in the MCU decides whether to use the double data buffers by writing to the DBUF bit in the IEPCNFG_n and OEPCNFG_n registers. The double data buffer is disabled by default (DBUF = 0). In this case, only the primary data buffer (X-buffer) is enabled.

Each EDB contains information describing the X and Y-buffers. In addition, it provides general status information. Figure 8–2 and Figure 8–3 illustrate how the IN_Endpoint_number (E[2:0]) and OUT_Endpoint_number (E[2:0]) are used to generate the index (address) to the input EDB and the output EDB, respectively, in the MMR memory map. Note that A[3] is used to distinguish between input and output.

Table 8–5 illustrates each EDB entry (register) for EDB-1 to EDB-4.

Figure 8–4 illustrates how the complete 16-bit EDB-buffer base address within the MMR memory map is generated in the TUSB6250 hardware for each EDB data buffer.

As defined in the USB 2.0 specification, the maximum packet size is 512 bytes for a high-speed bulk endpoint and 64 bytes for a full-speed bulk endpoint.

										Endpoint #			IN			
Bit Value	1	1	1	1	0	0	0	0	0	E2	E1	E0	0	0	0	0
Bit Number	A15	A14	A13	A12	A11	A10	A9	A8	A7	A6	A5	A4	A3	A2	A1	A0

Figure 8–2. IN-Endpoint Index Generation

											Endpoint #			OUT				
Bit Value	1	1	1	1	0	0	0	0	0	E2	E1	E0	1	0	0	0		
Bit Number	A15	A14	A13	A12	A11	A10	A9	A8	A7	A6	A5	A4	A3	A2	A1	A0		

Figure 8–3. OUT-Endpoint Index Generation

Table 8–5. EDB Entries in MMR (n = 1 to 4)

OFFSET (see Note 2)	ENTRY NAME	DESCRIPTION
07	EPBCNHY_n	I/O endpoint_n: Y byte-count (HB) register
06	EPBCNLY_n	I/O endpoint_n: Y byte-count (LB) register
05	EPBBADRY_n	I/O endpoint_n: Y-buffer base address register (see Note 1)
04	EPSIZXY_n	I/O endpoint_n: X/Y-buffer size register
03	EPBCNHX_n	I/O endpoint_n: X byte-count (HB) register
02	EPBCNLX_n	I/O endpoint_n: X byte-count (LB) register
01	EPBBADRX_n	I/O endpoint_n: X-buffer base address register (see Note 1)
00	EPCNFG_n	I/O endpoint_n: configuration register

NOTES: 1. The entry contains the A[11:4] portion of a 16-bit address. See Figure 8–4.
 2. Offset number is based on the A[2:0] value.

	Inserted by Hardware				Base Address in EDB								Inserted by Hardware			
Bit Value	1	1	1	0	A11	A10	A9	A8	A7	A6	A5	A4	0	0	0	0
Bit Number	15	14	13	12	11	10	9	8	7	6	5	4	3	2	1	0

Figure 8–4. 16-Bit EDB Data Buffer Address Generation From the Value of the Buffer Base Address

8.10.1 IEPCNFG_n: Input Endpoint Configuration Register (n = 1 to 4) (XDATA at F010, F020, F030, F040)

The IEPCNFG register contains various bits used to configure and control the specified endpoint.

7	6	5	4	3	2	1	0
UBME	NAK_INTE	TOGGLE	DBUF	STALL	USBIE	RST_TOGLE	MAP_SECF
R/W	R/W	R/O	R/W	R/W	R/W	W/O	R/W

BIT	NAME	RESET	FUNCTION
0	MAP_SECF	0	Map data buffer to sector FIFO RAM. MAP_SECF = 0 Endpoint data is stored in 4K-byte endpoint data buffer. MAP_SECF = 1 Endpoint data is stored in sector FIFO RAM.
1	RST_TOGLE	0	Reset TOGGLE bit. This bit always returns 0 when read by the MCU. The MCU writes a 1 to this bit in order to reset the TOGGLE bit (bit 5) to 0.
2	USBIE	0	USB interrupt enable on transaction completion USBIE = 0 No interrupt USBIE = 1 Interrupt on transaction completion
3	STALL	0	USB stall condition indication. STALL = 0 No stall STALL = 1 USB stall condition. If set by the MCU, a STALL handshake is initiated.
4	DBUF	0	Double buffer enable for input endpoint_n. DBUF = 0 Primary buffer only (X-buffer only) DBUF = 1 TOGGLE-bit selects X or Y-buffer
5	TOGGLE	0	USB toggle bit. This read-only bit reflects the toggle sequence bit of DATA0, DATA1. The actual response from the TUSB6250 also depends on the related STALL and NAK bits. The hardware updates the TOGGLE bit automatically. TOGGLE = 0 The TUSB6205 expects the next in-transfer data packet PID to be DATA0. TOGGLE = 1 The TUSB6205 expects the next in-transfer data packet PID to be DATA1.
6	NAK_INTE	0	NAK interrupt enable NAK_INTE = 0 NAK does not trigger an interrupt. NAK_INTE = 1 NAK triggers an interrupt.
7	UBME	0	UBM enable/disable bit. Set/cleared by the MCU. UBME = 0 UBM cannot use this endpoint. UBME = 1 UBM can use this endpoint

8.10.2 IEPBBADRX_n: Input Endpoint X-Buffer Base Address Register (n = 1 to 4) (XDATA at F011, F021, F031, F041)

The IEPBBADRX_n register contains the X-buffer base address for the specified input endpoint.

7	6	5	4	3	2	1	0
A11	A10	A9	A8	A7	A6	A5	A4
R/W	R/W	R/W	R/W	R/W	R/W	R/W	R/W

BIT	NAME	RESET	FUNCTION
7-0	A[11:4]	00h	This is the middle 8-bit value of the complete (1110 & A[11:4] & 0000) 16-bit X-buffer base address. See Figure 8-4. This value can be set only by the MCU. The UBM or MCU uses this value as the start address of the X-buffer for a given transaction.

8.10.3 IEPBCNLX_n: Input Endpoint X-Buffer Byte-Count Low-Byte Register (n = 1 to 4) (XDATA at F012, F022, F032, F042)

The IEPBCNLX_n register contains the lower 8-bit value in the X-buffer that is used to specify the amount of data to be transmitted in a data packet to the USB host.

7	6	5	4	3	2	1	0
C7	C6	C5	C4	C3	C2	C1	C0
R/W	R/W	R/W	R/W	R/W	R/W	R/W	R/W

BIT	NAME	RESET	FUNCTION
7-0	C[7:0]	00h	X-buffer byte-count: low byte

8.10.4 IEPBCNHX_n: Input Endpoint X-Buffer Byte-Count High-Byte Register (n = 1 to 4) (XDATA at F013, F023, F033, F043)

The IEPBCNHX_n register contains the NAK bit and the higher 3-bit value in the X-buffer that is used to specify the amount of data to be transmitted in a data packet to the USB host.

7	6	5	4	3	2	1	0
NAK	RSV	RSV	RSV	RSV	C10	C9	C8
R/W	R/O	R/O	R/O	R/O	R/W	R/W	R/W

BIT	NAME	RESET	FUNCTION
2-0	C[10:8]	0	X-buffer byte count higher 3 bits. These bits in combination with C[7:0] provide the byte count of a given transaction (count = 0 to 2047).
6-3	RSV	0	Reserved = 0
7	NAK	0	NAK bit is used as flow control handshake for X-buffer. NAK = 0 This bit is cleared to 0 by the firmware to indicate that the endpoint data buffer contains a valid packet for Host-IN request. NAK = 1 This bit is set to 1 by the TUSB6250 hardware to indicate that the endpoint data buffer is empty (TUSB6250 NAKs the Host-IN request).

Following is the procedure to be used by the firmware when using the NAK bit for flow-control handshake. For the purpose of illustration, it is assumed that the double buffer (DBUF) is enabled. If DBUF is not enabled, the X-buffer is always used regardless of the value of the data packet PID of the coming in-transfer.

- The first in-transfer comes when the in-endpoint buffer is empty (data payload not ready for the in-transfer received) and NAK = 1. The TUSB6250 responds to the in-transfer with a NAK handshake and starts preparing the data payload required for this in-transfer.
- The MCU is alerted with a NAK interrupt to the current in-endpoint. The firmware loads the data into either the X-buffer or Y-buffer depending on the following conditions:
 - If DBUF = 1, TOGGLE = 0, and the data PID = DATA0:
The firmware loads the data into the X-buffer of the endpoint data buffer (4K bytes EDB) and updates the X-buffer byte-count information in IEPBCNLX_n and IEPBCNHX_n registers.
 - If DBUF = 1, TOGGLE = 1 and the data PID = DATA1:
The firmware loads the data into the Y-buffer of the endpoint data buffer (4K byte EDB) and updates the Y-buffer byte-count information in the IEPBCNLY_n and IEPBCNHY_n registers.
- The firmware then clears the NAK bit to 0 to indicate to the TUSB6250 hardware that a valid data packet with the specified byte count is ready to be transmitted to the USB host.
- The TUSB6250 hardware sends the data packet in the specified length on the USB host sending the next IN-request with a valid IN-token.

5. Once the USB host acknowledges the host-IN transfer with an ACK, the TUSB6250 hardware sets the NAK bit to 1, so that any new host-IN request is NAKed until the MCU and firmware get the new required data payload ready.

8.10.5 *IEPSIZXY_n: Input Endpoint X/Y-Buffer Size Register (n = 1 to 4) (XDATA at F014, F024, F034, F044)*

The IEPSIZXY register contains the X- and Y-buffer size for the specified input endpoint.

7	6	5	4	3	2	1	0
S10	S9	S8	S7	S6	S5	S4	S3
R/W	R/W	R/W	R/W	R/W	R/W	R/W	R/W

BIT	NAME	RESET	FUNCTION
7-0	S[10:3]	00h	X- and Y-buffer size in byte: S[2:0] is padded with zeros (S[10:3] & 000) to produce an 11-bit value. Size is 0 to 1024 in increments of eight.

8.10.6 *IEPBADRY_n: Input Endpoint Y-Buffer Base Address Register (n = 1 to 4) (XDATA at F015, F025, F035, F045)*

The IEPBADRY_n register contains the Y-buffer base address for the specified input endpoint.

7	6	5	4	3	2	1	0
A11	A10	A9	A8	A7	A6	A5	A4
R/W	R/W	R/W	R/W	R/W	R/W	R/W	R/W

BIT	NAME	RESET	FUNCTION
7-0	A[11:4]	00h	This is the middle 8-bit value of the complete (1110 & A[11:4] & 0000) 16-bit Y-buffer base address. See Figure 8-4. This value is set by the MCU. The UBM or the MCU uses this value as the start address of the Y-buffer for a given transaction.

8.10.7 *IEPBCNLY_n: Input Endpoint Y-Buffer Byte-Count Low-Byte Register (n = 1 to 4) (XDATA at F016, F026, F036, F046)*

The IEPBCNLY_n register contains the lower 8-bit value in the Y-buffer that is used to specify the amount of data to be transmitted in a data packet to the USB host.

7	6	5	4	3	2	1	0
C7	C6	C5	C4	C3	C2	C1	C0
R/W	R/W	R/W	R/W	R/W	R/W	R/W	R/W

BIT	NAME	RESET	FUNCTION
7-0	C[7:0]	00h	Y-buffer byte-count: low byte

8.10.8 IEPBCNHY_n: Input Endpoint Y-Buffer Byte-Count High-Byte Register (n = 1 to 4) (XDATA at F017, F027, F037, F047)

The IEPBCNHY_n register contains the NAK bit and the higher 3-bit value in the Y-buffer that is used to specify the amount of data to be transmitted in a data packet to the USB host. See the procedure described in the IEPBCNHX_n register when using the NAK bit for flow control handshake.

7	6	5	4	3	2	1	0
NAK	RSV	RSV	RSV	RSV	C10	C9	C8
R/W	R/O	R/O	R/O	R/O	R/W	R/W	R/W

BIT	NAME	RESET	FUNCTION
2-0	C[10:8]	000	Y-buffer byte count higher 3 bits. These bits, in combination with C[7:0], provide the byte count of a given transaction (count = 0 to 2047).
6-3	RSV	0000	Reserved = 0
7	NAK	0	NAK bit is used as flow control handshake for Y-buffer. NAK = 0 Buffer contains a valid packet for the Host-IN request. NAK = 1 Buffer is empty (TUSB6250 NAKs the host-IN request).

8.10.9 OEPCNF_n: Output Endpoint Configuration Register (n = 1 to 4) (XDATA at F018, F028, F038, F048)

The OEPCNF_n register contains various bits used to configure and control the specified endpoint.

7	6	5	4	3	2	1	0
UBME	NAK_INTE	TOGLE	DBUF	STALL	USBIE	RS_TOGLE	MAP_SECF
R/W	R/W	R/O	R/W	R/W	R/W	W/O	R/W

BIT	NAME	RESET	FUNCTION
0	MAP_SECF	0	Map data buffer to sector FIFO RAM. The MCU writes to this bit to inform the state machine whether it wants the data to be transferred/stored in either the 4K-byte EDB buffer or the sector FIFO. If the sector FIFO is selected, when the data transfer phase is over, the state machine automatically switches the data storage area back to the 4K-byte EDB buffer. MAP_SECF = 0 Endpoint data is stored in the 4K-byte endpoint data buffer. MAP_SECF = 1 Endpoint data is stored in the sector FIFO RAM.
1	RST_TOGLE	0	Reset TOGGLE. This bit always returns 0 when read by the MCU. The MCU can write a 1 to this bit in order to reset the TOGGLE bit (bit 5) to '0'.
2	USBIE	0	USB interrupt enable on transaction completion. Set/cleared by the MCU. USBIE = 0 No interrupt USBIE = 1 Interrupt on transaction completion
3	STALL	0	USB stall condition indication. STALL = 0 No stall STALL = 1 USB stall condition. If set by the MCU, a STALL handshake is initiated.
4	DBUF	0	Double buffer enable for output endpoint_n. DBUF = 0 Primary buffer only (X-buffer only) DBUF = 1 TOGGLE-bit selects X- or Y-buffer.
5	TOGLE	0	USB toggle bit. This read-only bit reflects the toggle sequence bit of DATA0, DATA1. The actual response from the TUSB6250 depends on the related STALL and NAK bits. The hardware updates the TOGGLE bit automatically. TOGGLE = 0 The TUSB6250 expects the next out-transfer data packet PID to be DATA0. TOGGLE = 1 The TUSB6250 expects the next out-transfer data packet PID to be DATA1.
6	NAK_INTE	0	NAK interrupt enable NAK_INTE = 0 NAK does not trigger an interrupt. NAK_INTE = 1 NAK triggers an interrupt.
7	UBME	0	UBM enable/disable bit. Set/cleared by the MCU. UBME = 0 UBM cannot use this endpoint. UBME = 1 UBM can use this endpoint.

8.10.10 OEPBBAX_n: Output Endpoint X-Buffer Base Address Register (n = 1 to 4) (XDATA at F019, F029, F039, F049)

The OEPBBAX_n register contains the X-buffer base address for the specified output endpoint.

7	6	5	4	3	2	1	0
A11	A10	A9	A8	A7	A6	A5	A4
R/W	R/W	R/W	R/W	R/W	R/W	R/W	R/W

BIT	NAME	RESET	FUNCTION
7-0	A[11:4]	00h	This is the middle 8-bit value of the complete (1110 and A[11:4] and 0000) 16-bit X-buffer base address. See Figure 8-4. This value is set by the MCU. The UBM or the DMA uses this value as the start address of X-buffer for a given transaction.

8.10.11 OEPBCNLX_n: Output Endpoint X-Buffer Byte-Count Low-Byte Register (n = 1 to 4) (XDATA at F01A, F02A, F03A, F04A)

The OEPBCNLX_n register contains the lower 8-bit value in the X-buffer that is used to specify the amount of data received in a data packet from the USB host.

7	6	5	4	3	2	1	0
C7	C6	C5	C4	C3	C2	C1	C0
R/O	R/O	R/O	R/O	R/O	R/O	R/O	R/O

BIT	NAME	RESET	FUNCTION
7-0	C[7:0]	00h	X-buffer byte-count: low byte

8.10.12 OEPBCNHX_n: Output Endpoint X-Buffer Byte-Count High-Byte Register (n = 1 to 4) (XDATA at F01B, F02B, F03B, F04B)

The OEPBCNHX_n register contains the NAK bit and the higher 3-bit value in the X-buffer that is used to specify the amount of data received in a data packet from the USB host.

7	6	5	4	3	2	1	0
NAK	RSV	RSV	RSV	RSV	C ₁₀	C ₉	C ₈
R/W	R/O	R/O	R/O	R/O	R/O	R/O	R/O

BIT	NAME	RESET	FUNCTION
2-0	C[10:8]	000	X-buffer byte count higher 3 bits. These bits, in combination with C[7:0], provide the byte count of a given transaction (count = 0 to 2047).
6-3	RSV	0000	Reserved = 0
7	NAK	0	NAK bit is used as flow control handshake for X-buffer. NAK = 0 This bit is cleared to 0 by the firmware to indicate that the endpoint data buffer is empty and ready for a Host-OUT request. NAK = 1 This bit is set to 1 by the TUSB6250 hardware to indicate that the endpoint data buffer contains a valid packet from the host (TUSB6250 NAKs the host-OUT request).

Below is the procedure to be followed by the firmware when using the NAK bit for flow control handshake. For the purpose of illustration, it is assumed that the double buffer (DBUF) is enabled. If DBUF is not enabled, the X-buffer is always used regardless of the value of the data packet PID of the coming out-transfer.

- Assume that NAK = 0 and both out-endpoint data buffers are empty, when the first out-transfer comes. The TUSB6250 responds to the out-transfer with an ACK handshake and starts processing the data payload received for this out-transfer immediately.
- Meanwhile, the TUSB6250 hardware sets the NAK bit to 1 to indicate that the current endpoint data buffer contains a valid packet from the host such that the TUSB6250 can either NYET-then-NAK (for USB high-speed connection) or simply ACK-then-NAK (for USB full-speed connection) any further host-out request to this endpoint. It should be noted that both the X-buffer and Y-buffer have their own NAK bit.

- The UBM (USB buffer manager, a DMA engine on the USB side) of the TUSB6250 loads the data into either the X-buffer or Y-buffer, depending on the following conditions:
 - If DBUF = 1, TOGGLE = 0, and the data PID = DATA0:
The UBM loads the data into the X-buffer of the out-endpoint data buffer (4K-byte EDB) and updates the X-buffer byte-count information in the OEPBCNLX_n and OEPBCNHX_n registers.
 - If DBUF = 1, TOGGLE = 1, and the data PID = DATA1:
The UBM loads the data into the Y-buffer of the out-endpoint data buffer (4K-byte EDB) and updates the Y-buffer byte-count information in the OEPBCNLY_n and OEPBCNHY_n registers.
- The MCU is alerted with an ACK interrupt to the current out-endpoint. The firmware processes the received data packet stored in either the X-buffer or Y-buffer of the out-endpoint data buffers.
- Once the firmware finishes the processing, the out-endpoint data buffer is empty. The firmware then clears the NAK bit to 0 to indicate to the TUSB6250 hardware that it is ready for the next host-out request.

8.10.13 OEPSIZXY_n: Output Endpoint X/Y-Buffer Size Register (n = 1 to 4) (XDATA at F01C, F02C, F03C, F04C)

The OEPSIZXY_n register contains the X- and Y-buffer size for the specified output endpoint.

7	6	5	4	3	2	1	0
S10	S9	S8	S7	S6	S5	S4	S3
R/W	R/W	R/W	R/W	R/W	R/W	R/W	R/W

BIT	NAME	RESET	FUNCTION
7–0	S[10:3]	00h	X- and Y-buffer size in bytes: S[10:3] is padded with zeros (S[10:3] & 000) to produce an 11-bit value. Size is 0 to 1024 in increments of eight.

8.10.14 OEPBADRY_n: Output Endpoint Y-Buffer Base Address Register (n = 1 to 4) (XDATA at F01D, F02D, F03D, F04D)

The OEPBADRY_n register contains the Y-buffer base address for the specified output endpoint.

7	6	5	4	3	2	1	0
A11	A10	A9	A8	A7	A6	A5	A4
R/W	R/W	R/W	R/W	R/W	R/W	R/W	R/W

BIT	NAME	RESET	FUNCTION
7–0	A[11:4]	00h	This is the middle 8-bit value of the complete (1110 & A[11:4] & 0000) 16-bit Y-buffer base address. See Figure 8–4. This value can be set only by the MCU. The UBM or the MCU uses this value as the start address of Y-buffer for a given transaction.

8.10.15 OEPBCNLY_n: Output Endpoint Y-Buffer Byte-Count Low-Byte Register (n = 1 to 4) (XDATA at F01E, F02E, F03E, F04E)

The OEPBCNLY_n register contains the lower 8-bit value in the Y-buffer that is used to specify the amount of data received in a data packet from the USB host.

7	6	5	4	3	2	1	0
C7	C6	C5	C4	C3	C2	C1	C0
R/O	R/O	R/O	R/O	R/O	R/O	R/O	R/O

BIT	NAME	RESET	FUNCTION
7–0	C[7:0]	00h	Y-buffer byte-count: low byte

8.10.16 OEPBCNHY_n: Output Endpoint Y-Buffer Byte-Count High-Byte Register (n = 1 to 4) (XDATA at F01F, F02F, F03F, F04F)

The OEPBCNHY_n register contains the NAK bit and the higher 3-bit value in the Y-buffer that is used to specify the amount of data received in a data packet from the USB host. See the procedure described in the OEPBCNHX_n register when using the NAK bit for flow control handshake.

7	6	5	4	3	2	1	0
NAK	RSV	RSV	RSV	RSV	C10	C9	C8
R/W	R/O	R/O	R/O	R/O	R/O	R/O	R/O

BIT	NAME	RESET	FUNCTION
2–0	C[10:8]	000	Y-buffer byte count higher 3 bits. These bits, in combination with C[7:0], provide the byte count of a given transaction (count = 0 to 2047).
6–3	RSV	0000	Reserved = 0
7	NAK	0	NAK bit is used as flow control handshake for the Y-buffer. NAK = 0 Buffer is empty and ready for a Host-OUT request. NAK = 1 Buffer contains a valid packet from the host (TUSB6250 NAKs the Host-OUT request)

8.11 Serial Number Registers

The USB 2.0 specification encourages end-product vendors to support the unique USB device serial number. The USB Mass Storage Class—Bulk Only Transport specification also requires that the serial number shall contain at least 12 valid digits, represented as a UNICODE string and the last 12 digits of the serial number shall be unique to each USB idVendor and idProduct pair.

The TUSB6250 supports the unique USB device serial numbers. The serial numbers can be either specified by the end-product developer in the header block of the external I²C EEPROM with the custom format or generated automatically by the TUSB6250 from its 48-bit on-chip unique die ID number.

Each TUSB6250 chip has a unique 48-bit serial die ID number, which is generated during the semiconductor manufacturing process. The die IDs may not increment sequentially; however, it is assured that any particular 48-bit die ID will not be repeated during production for at least 9 years.

The following procedure is performed by the TUSB6250 to identify and report the required serial number back to the USB host:

- After a power-up reset, the boot code performs a read to the SERNUM0 to SERNUM5 registers and initializes its device serial number variable field stored in the XDATA memory space with the read value from these registers.
- The boot code then checks if the external I²C EEPROM is present on the I²C interface of the TUSB6250. If the EEPROM is present and contains a valid device serial number as part of the USB device descriptor information stored in the EEPROM, the boot code overwrites the serial number value stored in the XDATA memory space with the one found in the EEPROM. Otherwise, the TUSB6250 serial number value stored in the XDATA memory space stays unchanged from the previous step.
- In summary:
 - The serial number value specified in the external EEPROM has the highest priority to be loaded into the XDATA memory space, which is used as part of the valid device descriptor information to be reported back to the USB host during USB device enumeration.
 - When responding to the Get_DeviceDescriptor command from the USB host, if the external I²C EEPROM does not contain the valid serial number, the TUSB6250 converts the 48-bit unique serial number stored in the serial number registers into a string of 12 UNICODE characters and returns the string to the host.

For detailed information regarding how to specify the custom serial number in the header block of the external I²C EEPROM, see the TUSB6250 Boot Code application note (SLLA126).

Little-endian is used when describing the serial number registers with SERNUM0 as the least significant byte.

8.11.1 SERNUMn: Device Serial Number Register (Byte n, n = 0 to 5) (XDATA at F080 to F085)

After a power-up reset, the SERNUMn read-only register (SERNUMn) contains byte n of the complete 48-bit device serial number from the on-chip serial die ID number. A USB reset cannot reset the SERNUMn register.

7	6	5	4	3	2	1	0
D7	D6	D5	D4	D3	D2	D1	D0
R/O	R/O	R/O	R/O	R/O	R/O	R/O	R/O

BIT	NAME	RESET	FUNCTION
7-0	D[7:0]	Device serial number byte n value	Device serial number byte n value

9 Miscellaneous and GPIO Configuration Registers

The TUSB6250 offers up to 13 GPIOs and three additional general-purpose open-drain outputs that can be used for an end-product-specific function. All the GPIOs and general-purpose open-drain outputs are mapped to port 2 and port 3 of the embedded MCU. Table 9–1 illustrates the TUSB6250 GPIO port mapping for the embedded MCU and some recommended usage.

Table 9–1. TUSB6250 Controller MCU GPIO Port Mapping

EMBEDDED MCU PORT 3 AND PORT 2 GPIO	TUSB6250 PIN MAPPING	RECOMMENDED PIN USAGE/FUNCTION
Port 3[0]	P3.0/SIN	SIN (serial in of the 8051 built-in serial port) or GPIO
Port 3[1]	P3.1/SOUT	SOUT (serial out of the 8051 built-in serial port) or GPIO
Port 3[2]	P3.2/CD1	Remote-wakeup-capable GPIO can be used as a compact flash card insertion detect signal.
Port 3[3]	P3.3/CD2	Remote-wakeup-capable GPIO can be used as a compact flash card insertion detect signal.
Port 3[4]	P3.4	Remote-wakeup-capable GPIO
Port 3[5]	P3.5	Remote-wakeup-capable GPIO
Port 3[6]	P3.6	GPIO or ATA/ATAPI passed diagnostic/cable identifier (not implemented in hardware)
Port 3[7]	P3.7	GPIO or ATA/ATAPI device active/device-1 present (not implemented in hardware)
Port 2[0]	P2.0	GPIO
Port 2[1]	P2.1/PWR100	General-purpose open-drain output for power-control purposes
Port 2[2]	P2.2/PWR500	General-purpose open-drain output for power-control purposes (not implemented in hardware)
Port 2[3]	P2.3	General-purpose open-drain output
Port 2[4]	P2.4	GPIO
Port 2[5]	P2.5	GPIO
Port 2[6]	P2.6	GPIO
Port 2[7]	P2.7	GPIO

The GPIO pins of this controller have integrated pullup and/or pulldown resistors. As described in the following sections, these pullup and/or pulldown resistors can be easily configured by the MCU using the related pullup and pulldown configuration registers to meet the need for a broad range of applications.

The pullup resistor, if enabled, is connected between the GPIO pin and the DVDD power supply. The pulldown resistor, if enabled, is connected between the GPIO pin and ground.

There are some important notes regarding the port-2 and port-3 GPIOs of this controller:

- All the port-2 GPIO pins, except P2.7, are 5-V fail-safe. P2.7 is a standard 3.3-V LVCMOS GPIO with only a pullup resistor integrated internally.
- All the port-3 GPIO pins, except P3.0 and P3.1, are 5-V fail-safe. P3.0 and P3.1 are standard 3.3-V LVCMOS GPIOs with only a pullup resistor integrated internally.
- Developers must pay special attention to a standard 8051 microcontroller feature, that is, the output buffer of a GPIO pin only actively drives one MCU clock cycle for a 0-to-1 transition on the data bit of any GPIO port (internally connected to the input of the GPIO output buffer). The GPIO pin then floats to allow the weak pullup to maintain the logic-1 state.
- Based on the above standard 8051 behavior, the firmware and board level developers must ensure that no pulldown resistor is enabled, either internal or external on the GPIO pin, if its output buffer is used to output a logic 1 state, otherwise, the pulldown discharges the logic-1 value on the GPIO pin. In other words, the pullup must be enabled by the firmware whenever the output buffer is used to output a logic-1 state for any GPIO.
- If a GPIO is configured as input-only, the firmware can select either a pullup or pulldown resistor to be enabled for that GPIO pin.

- Following the standard 8051 convention, both port 2 and port 3 are bit addressable, which implies that within the same GPIO port, some pins can be configured as inputs and others as outputs.

9.1 MODECNFG: Mode Configuration Register (XDATA at F088)

The MODECNFG register contains several parameters the MCU can use to configure the code and data RAM partition, polarity of the INTRQ pin, and code RAM write access enable.

The MODECNFG register is cleared by a power-up reset or a WDT reset only. A USB reset cannot clear the MODECNFG register.

7	6	5	4	3	2	1	0
RSV	RSV	RSV	RSV	INTRQPOLR	RAMPARTN1	RAMPARTN0	RAMWR_DIS
R/O	R/O	R/O	R/O	R/W	R/W	R/W	R/W

BIT	NAME	RESET	FUNCTION
0	RAMWR_DIS	0	Disables/enables the MCU write to the complete space of the code RAM with the space defined by RAMPARTN[1:0] bits. RAMWR_DIS = 0 Allows the MCU write to the code RAM. RAMWR_DIS = 1 Disables the MCU write to the code RAM.
2-1	RAMPARTN [1:0]	00	Code/data RAM partition setting bits. These bits are used by the MCU to change the default partition of the 40K bytes of RAM to the other two supported code/sector FIFO memory configurations. The TUSB6250 allows the maximum code size to be 32K bytes. RAMPARTN[1:0] = 00 40K bytes of RAM is partitioned to be 32K bytes code and 8K bytes sector FIFO (default). RAMPARTN[1:0] = 01 40K bytes of RAM is partitioned to be 16K bytes code and 24K bytes sector FIFO. RAMPARTN[1:0] = 10 40K bytes of RAM is partitioned to be 8K bytes code and 32K bytes sector FIFO. RAMPARTN[1:0] = 11 Reserved
3	INTRQPOLR	0	TUSB6250 INTRQ pin polarity configuration by the MCU. INTRQPOLR = 0 INTRQ is active-high (default setting as defined in the ATA/ATAPI specification). INTRQPOLR = 1 INTRQ is active-low.
7-4	RSV	0h	Reserved

9.2 PUPDSLCT_P2: GPIO Pullup and Pulldown Resistor Selection Register for Port 2 (XDATA at F08A)

The PUPDSLCT_P2 register allows the MCU to select either the pullup or pulldown resistors on the MCU port-2 GPIO pins. To turn off both the pullup and pulldown resistors, the MCU must configure the corresponding bit in the PUPDPWDN_P2 register.

PUSEL[N] means the pullup/pulldown resistor selection for pin P2.N.

7	6	5	4	3	2	1	0
RSV	PUSEL6	PUSEL5	PUSEL4	RSV	RSV	RSV	PUSEL0
R/O	R/W	R/W	R/W	R/O	R/O	R/O	R/W

BIT	NAME	RESET	FUNCTION
0	PUSEL0	0	Port-2 GPIO pin P2.0 pullup and pulldown resistor selection by the MCU. <ul style="list-style-type: none"> If the MCU sets this bit to 1, the pullup resistor is selected and the pulldown resistor is deselected. If the MCU clears this bit to 0, the pulldown resistor is selected and the pullup resistor is deselected. The power-up default is the pullup resistor disabled and the pulldown resistor enabled for the P2.0 pin.
3–1	RSV	000b	Reserved
6–4	PUSEL[N] (N = 4 to 6)	111	Port-2 GPIO pin P2.4–P2.6 pullup and pulldown resistor selection by the MCU. <ul style="list-style-type: none"> If the MCU sets any of these bits to 1, the corresponding pullup resistor is enabled and the pulldown resistor is disabled. If the MCU clears any of these bits to 0, the corresponding pulldown resistor is enabled and the pullup resistor is disabled. The power-up default is the pullup resistor enabled and the pulldown resistor disabled for pins P2.4–P2.6.
7	RSV	0	Reserved

9.3 PUPDWDN_P2: GPIO Pullup and Pulldown Resistor Power-Down Register for Port 2 (XDATA at F08B)

The PUPDWDN_P2 register allows the MCU to enable/disable both the internal pullup/pulldown resistors connected to port 2 GPIO pins. To choose the desired pullup or pulldown resistor for a particular pin, the MCU must ensure the correct setup is done in the PUPDSLCT_P2 register before enabling the corresponding bit in the PUPDWDN_2 register.

PUPDOFF[N] means the pullup/pulldown resistors disable or power down for the P2.N pin.

	7	6	5	4	3	2	1	0
	PUIOFF7	PUPDOFF6	PUPDOFF5	PUPDOFF4	RSV	RSV	RSV	PUPDOFF0
	R/W	R/W	R/W	R/W	R/O	R/O	R/O	R/W

BIT	NAME	RESET	FUNCTION
0	PUPDOFF0	0	Port-2 GPIO pin P2.0 pullup and pulldown resistor power-down configuration by the MCU. <ul style="list-style-type: none"> • If the MCU sets this bit to 1, both the pullup and pulldown resistors are disabled on P2.0. • If the MCU clears this bit to 0, either the pullup or pulldown resistor is enabled for P2.0; with the selection is controlled by bit 0 of the PUPDSLCT_P2 register. The power-up default is to enable the pullup/pulldown resistor for the P2.0 pin.
3–1	RSV	000b	Reserved
6–4	PUPDOFF[N] (N = 4 to 6)	000	Port-2 GPIO pins P2.4–P2.6 pullup and pulldown resistor power down configuration by the MCU. <ul style="list-style-type: none"> • If the MCU sets any of these bits to 1, both the pullup and pulldown resistor are disabled on pins P2.4–P2.6. • If the MCU clears this bit to 0, either the pullup or the pulldown resistor is enabled for P2.4–P2.6, with the selection controlled by the corresponding bit of the PUPDSLCT_P2 register. The power-up default is to enable the pullup/pulldown cell for P2.4–P2.6 pins.
7	PUIOFF7	0	Port-2 GPIO pin P2.7 pullup resistor configuration by the MCU. <ul style="list-style-type: none"> • If the MCU sets this bit to 1, the pullup resistor is disabled on pin P2.7. • If the MCU clears this bit to 0, the pullup resistor is enabled on pin P2.7. The power-up default is to enable the pullup resistor on the P2.7 pin.

9.4 PUPDSLCT_P3: GPIO Pullup and Pulldown Resistor Selection Register for Port 3 (XDATA at F08C)

The PUPDSLCT_P3 register allows the MCU to select either the pullup or pulldown internal resistor to be connected to the port 3 GPIO pins. To turn off both the pullup and pulldown resistors, the MCU must configure the corresponding bit in the PUPDPWDN_P3 register.

PUSEL[N] means the pullup/pulldown resistors selection for P3.N pin.

	7	6	5	4	3	2	1	0
	PUSEL7	PUSEL6	PUSEL5	PUSEL4	PUSEL3	PUSEL2	RSV	RSV
	R/W	R/W	R/W	R/W	R/W	R/W	R/O	R/O

BIT	NAME	RESET	FUNCTION
1–0	RSV	00	Reserved = 00
7–2	PUSEL[N] (N = 2 to 7)	111111	Port 3 GPIO pin P3.2–P3.7 pullup and pulldown resistor selection by the MCU. <ul style="list-style-type: none"> • If the MCU sets any of these bits to 1, the corresponding pullup resistor is enabled and the pulldown resistor is disabled. • If the MCU clears any of these bits to 0, the corresponding pulldown resistor is enabled and the pullup resistor is disabled. The power-up default is the pullup resistor enabled and the pulldown resistor disabled for pins P3.2–P3.7.

9.5 PUPDPWDN_P3: GPIO Pullup and Pulldown Resistor Power-Down Register for Port 3 (XDATA at F08D)

The PUPDPWDN_P3 register allows the MCU to enable/disable the internal pullup and pulldown resistors that are connected to the port-3 GPIO pins. To choose the desired pullup or pulldown resistor for a particular pin, the MCU must ensure that the correct setup is done in the PUPDSLCT_P3 register before enabling the corresponding bit in this register.

PUPDOFF[N] means the pullup/pulldown resistors disable or power down for the P3.N pin.

7	6	5	4	3	2	1	0
PUPDOFF7	PUPDOFF6	PUPDOFF5	PUPDOFF4	PUPDOFF3	PUPDOFF2	PUOFF1	PUOFF0
R/W	R/W	R/W	R/W	R/W	R/W	R/W	R/W

BIT	NAME	RESET	FUNCTION
0	PUOFF0	0	Port-3 GPIO pin P3.0 pullup resistor configuration by the MCU. <ul style="list-style-type: none"> If the MCU sets this bit to 1, the pullup resistor is disconnected from the P3.0 pin. If the MCU clears this bit to 0, the pullup resistor is connected to the P3.0 pin. The power-up default is to enable the pullup resistor on the P3.0 pin.
1	PUOFF1	0	Port-3 GPIO pin P3.1 pullup resistor configuration by the MCU. <ul style="list-style-type: none"> If the MCU sets this bit to 1, the pullup resistor is disconnected from the P3.1 pin. If the MCU clears this bit to 0, the pullup resistor is connected to the P3.1 pin. The power-up default is to enable the pullup resistor on the P3.1 pin.
7-2	PUPDOFF[N] (N = 2 to 7)	000000	Port-3 GPIO pin P3.2 – P3.7 pullup and pulldown resistor power down configuration by the MCU. <ul style="list-style-type: none"> If the MCU sets any of these bits to 1, both the pullup and pulldown resistors are disabled on the corresponding pin P3.2–P3.7. If the MCU clears any of these bits to 0, either the pullup or the pulldown resistor is enabled for the corresponding pin P3.2–P3.7, with the selection controlled by the corresponding bit of the PUPDSLCT_P3 register. The power-up default is to enable the pullup/pulldown resistors for pins P3.2–P3.7.

9.6 PUPDFUNC: Pullup/Pulldown Configuration Register for Functional Pins (XDATA at F08E)

The PUPDFUNC register allows the MCU to select/deselect and enable/disable the internal pullup or pulldown resistor connection on certain functional pins.

7	6	5	4	3	2	1	0
PDATPDD7	PDVBUS	PDATPDAT	PDDMARQ	POFFIORDY	PUSLIORDY	POFFINTRQ	PUSLINTRQ
R/W	R/W	R/W	R/W	R/W	R/W	R/W	R/W

BIT	NAME	RESET	FUNCTION
0	PUSLINTRQ	0	INTRQ pin pullup/pulldown resistor selection configuration by the MCU. <ul style="list-style-type: none"> If the MCU sets this bit to 1, the pullup resistor is selected and the pulldown resistor is deselected. If the MCU clears this bit to 0, the pulldown resistor is selected and the pullup resistor is deselected. The power-up default is the pulldown resistor enabled and the pullup resistor disabled for the INTRQ pin.
1	POFFINTRQ	0	INTRQ pin pullup/pulldown resistor power-down configuration by the MCU. <ul style="list-style-type: none"> If the MCU sets this bit to 1, both the pullup and pulldown resistors are disabled. If the MCU clears this bit to 0, either the pullup or the pulldown resistor is enabled for the INTRQ pin, with the selection controlled by the PUSLINTRQ bit.
2	PUSLIORDY	0	IORDY pin pullup/pulldown resistor selection configuration by the MCU. <ul style="list-style-type: none"> If the MCU sets this bit to 1, the pullup resistor is selected and the pulldown resistor is deselected. If the MCU clears this bit to 0, the pulldown resistor is selected and the pullup resistor is deselected. The power-up default is the pulldown enabled and the pullup disabled for the IORDY pin. The MCU must enable the pullup on the IORDY pin during normal operation.
3	POFFIORDY	0	IORDY pin pullup/pulldown resistor power-down configuration by the MCU. <ul style="list-style-type: none"> If the MCU sets this bit to 1, both the pullup and pulldown resistors are disabled. If the MCU clears this bit to 0, either the pullup or the pulldown resistor is enabled for the IORDY pin, with the selection controlled by the PUSLIORDY bit.
4	PDDMARQ	0	DMARQ pin pulldown resistor enable/disable configuration by the MCU. <ul style="list-style-type: none"> If the MCU sets this bit to 1, the pulldown resistor is disconnected from the pin. If the MCU clears this bit to 0, the pulldown resistor is connected to the pin.
5	PDATPDAT	0	ATAPI data bus (DD15–DD8, DD6–DD0) pin pulldown resistor enable/disable configuration by the MCU. The DD7 pin has its own pulldown resistor control (PDATPDD7), as described in bit 7 of this register. <ul style="list-style-type: none"> If the MCU sets this bit to 1, the pulldown resistors are disconnected from the 16-bit data bus (except DD7). If the MCU clears this bit to 0, the pulldown resistors are connected to the 16-bit data bus (except DD7).
6	PDVBUS	0	VBUS pin pulldown resistor enable/disable configuration by the MCU. Before getting into suspend, the firmware checks the VBUS status and turns off the pulldown resistor if VBUS is active. <ul style="list-style-type: none"> If the MCU sets this bit to 1, the pulldown resistor is disconnected from the pin. If the MCU clears this bit to 0, the pulldown resistor is connected to the pin.
7	PDATPDD7	0	ATAPI data bus DD7 pin pulldown resistor enable/disable configuration by the MCU. The pulldown resistor control for the other ATA/ATAPI data bus pins is defined in bit 5 (PDATPDAT) of this register. <ul style="list-style-type: none"> If the MCU sets this bit to 1, the pulldown resistor is disconnected from the DD7 pin. If the MCU clears this bit to 0, the pulldown resistor is connected to the DD7 pin. The power-up default is the pulldown resistor enabled for the DD7 pin.

9.7 PUPDSLCT_ATPOUT: Pullup and Pulldown Resistor Selection Register for ATA/ATAPI Outputs (XDATA at F08F)

The PUPDSLCT_ATPOUT register allows the MCU to select the desired integrated pullup or pulldown resistors for the TUSB6250 ATA/ATAPI output terminals. Normally, these resistors are not used in functional operation. However, they can be used to help achieve the low-power suspend budget for bus-powered applications. All pulldown resistors on the ATA/ATAPI bus are enabled as a power-up default, because the TUSB6250 ATA/ATAPI output buffers are turned off during power up. The MCU must write to the PUPDPWDN_ATPOUT register to disable all the undesired pulldown resistors when it is ready to enable and drive the ATA/ATAPI bus.

Each bit in the PUPDSLCT_ATPOUT register can be configured individually by the MCU by:

- If the MCU sets any bit to 1, the pullup resistor is enabled and the pulldown resistor is disabled.
- If the MCU clears any bit to 0, the pulldown resistor is enabled and the pullup resistor is disabled.

The power-up default is the pulldown resistor enabled and the pullup resistor disabled for all the ATA/ATAPI output pins.

7	6	5	4	3	2	1	0
RSV	PUSLRSTATA	PUSLDIOW	PUSLDIOR	PUSLDMACK	PUSLDA	PUSLCS1	PUSLCS0
R/O	R/W	R/W	R/W	R/W	R/W	R/W	R/W

BIT	NAME	RESET	FUNCTION
0	PUSLCS0	0	$\overline{CS0}$ pin pullup/pulldown resistor selection by the MCU.
1	PUSLCS1	0	$\overline{CS1}$ pin pullup/pulldown resistor selection by the MCU.
2	PUSLDA	0	DA2, DA1, and DA0 pins pullup/pulldown resistor selection by the MCU.
3	PUSLDMACK	0	\overline{DMACK} pin pullup/pulldown resistor selection by the MCU.
4	PUSLDIOR	0	\overline{DIOR} pin pullup/pulldown resistor selection by the MCU.
5	PUSLDIOW	0	\overline{DIOW} pin pullup/pulldown resistor selection by the MCU.
6	PUSLRSTATA	0	RST_ATA pin pullup/pulldown resistor selection by the MCU. Whenever the MCU sets the HARD_RST bit in the ATPIFCNFG1 register, this bit is cleared, which means the pulldown resistor is selected.
7	RSV	0	Reserved = 0

9.8 PUPDPWDN_ATPOUT: Pullup and Pulldown Resistors Power-Down Register for ATA/ATAPI Outputs (XDATA at F090)

The PUPDPWDN_ATPOUT register allows the MCU to enable/disable all of the pullup and pulldown resistors for the TUSB6250 ATA/ATAPI output terminals. To select the desired pullup or pulldown resistor, the MCU must configure the appropriate register bit in PUPDSLCT_ATPOUT.

For MCU access to the PUPDPWDN_ATPOUT register:

- If the MCU sets any bit to 1, both the pullup and pulldown resistors are disabled on the specified ATA/ATAPI bus pin.
- If the MCU clears this bit to 0, either the pullup or the pulldown resistor is enabled for the specified ATA/ATAPI bus output terminal with the selection controlled by the corresponding bit in the PUPDSLCT_ATPOUT register.

The power-up default is to enable the internal pullup/pulldown resistors for all the output terminals on the TUSB6250 ATA/ATAPI bus.

7	6	5	4	3	2	1	0
RSV	PUOFFRSTATA	PUOFFDIOW	PUOFFDIOR	PUOFFDMACK	PUOFFDA	PUOFFCS1	PUOFFCS0
R/O	R/O	R/O	R/O	R/W	R/W	R/O	R/W

BIT	NAME	RESET	FUNCTION
0	PUOFFCS0	0	$\overline{CS0}$ pin pullup/pulldown resistor power-down configuration by the MCU
1	PUOFFCS1	0	$\overline{CS1}$ pin pullup/pulldown resistor power-down configuration by the MCU
2	PUOFFDA	0	DA2, DA1, and DA0 pins pullup/pulldown resistor power-down configuration by the MCU
3	PUOFFDMACK	0	\overline{DMACK} pin pullup/pulldown resistor power-down configuration by the MCU
4	PUOFFDIOR	0	\overline{DIOR} pin pullup/pulldown resistor power-down configuration by the MCU
5	PUOFFDIOW	0	\overline{DIOW} pin pullup/pulldown resistor power-down configuration by the MCU
6	PUOFFRSTATA	0	$\overline{RST_ATA}$ pin pullup/pulldown resistor power-down configuration by the MCU
7	RSV	0	Reserved

10 I²C Interface Controller

The master-only I²C interface controller in the TUSB6250 provides a simple two-wire serial interface for the MCU to communicate with the external EEPROM. It supports single-byte or multiple-byte read and write operations. The I²C interface controller can be programmed to operate at either 100 Kbit/sec or 400 Kbit/sec. In addition, the protocol supports 8-bit or 16-bit addressing for accessing the I²C slave device memory locations. The embedded I²C interface controller however, does not support a multimaster bus environment (no bus arbitration).

The main function of the I²C interface controller is to provide the data path for the descriptor and application firmware to be downloaded from the external I²C EEPROM to the internal on-chip code RAM. The TUSB6250 only supports widely available 3.3-V I²C serial EEPROMs. The two interface signals provided by the I²C interface controller are the serial clock signal (SCL) and the serial data signal (SDA). The SCL signal is output only open-drain. The SDA signal is a bidirectional signal that uses an open-drain output to allow the TUSB6250 to be wire-ORed with other I²C slave devices that use open-drain or open-collector outputs. Internal weak 100- μ A pullup resistors are built into both the SCL and SDA pins. The pullup resistors are always activated after a power-up reset.

All read and write data transfers on the I²C serial bus are initiated by the master device. The master device is also responsible for generating the clock signal used for all data transfers. The data is transferred on the bus serially, one bit at a time. However, the protocol requires that the address and data be transferred in byte (8 bit) format with the most-significant bit (MSB) transferred first. In addition, each byte transferred on the bus is acknowledged by the receiving device with an acknowledge bit.

Each transfer operation begins with the master device driving a start condition on the bus and ends with the master device driving a stop condition on the bus. During I²C serial data transmission, the SDA line must be stable while the SCL signal is high, which also means that the SDA signal can only change state while the SCL signal is low.

- The start condition of the I²C serial transmission is defined as a high-to-low transition of the SDA signal while the SCL signal is high.
- The stop condition is defined as a low-to-high transition of the SDA signal, while the SCL signal is high.
- The acknowledge is defined as a stable low of the SDA line driven by the receiver after each byte has been received, except when the receiver is unable to receive or transmit or after the master-receiver receives the last byte. The transmitter must release the SDA line during the acknowledge clock phase.

For the detailed behavior and protocol of the I²C data transmission, see the industry standard I²C bus specification.

Based on the I²C convention, there are normally two types of I²C devices:

- Category II device: For those I²C EEPROMs with a size less than 4K bytes (up to 11 EEPROM address bits could be used).
- Category III device: For those I²C EEPROMs with a size equal to or larger than 4K bytes (up to 16 EEPROM address bits could be used).

For application firmware with sizes equal to or larger than 4K bytes, the TUSB6250 boot code requires that the application firmware be stored in an external I²C EEPROM, with its device address A0 pin (the least significant device address input pin or chip select-0 as referred to in some I²C EEPROM's data manual) tied to 1. This indicates to the boot code that the I²C EEPROM connected to the I²C interface of the TUSB6250 is a category III I²C EEPROM.

Developers should not confuse the I²C device address with the I²C EEPROM address. The I²C device address is the address for a particular I²C EEPROM device, which should be set up in the I2CADR register and sent to the I²C EEPROM. The I²C EEPROM address is the I²C internal EEPROM memory cell address, which should be set up in the I2CDOUT register and sent to the I²C EEPROM during data phase communication.

10.1 I²C Registers

10.1.1 IECSCR: I²C Status and Control Register (XDATA at F0B0)

The IECSCR register contains the I²C EERPOM speed, error condition indication, and provides status information for the I²C data registers. It is also used to control the stop condition for read and write operation. In addition, it provides transmitter and receiver handshake signals.

7	6	5	4	3	2	1	0
RXF	RSV	ERR	RSV	SP	TXE	RSV	STOP
R/O	R/O	R/C	R/O	R/W	R/O	R/O	R/W

BIT	NAME	RESET	FUNCTION
0	STOP	0	Stop read or write condition generation. By setting or clearing this bit, the MCU can control the I ² C interface controller to generate a stop condition after writing data to or reading data from I ² C EEPROM. STOP = 0 Stop condition is not generated for: <ul style="list-style-type: none"> Writes when data from the I2CDOUT register is shifted out to an external I²C device. Reads when data from the SDA line is shifted into the I2CDIN register. STOP = 1 Stop condition is generated for: <ul style="list-style-type: none"> Writes when data from the I2CDOUT register is shifted out to an external I²C device. Reads when data from the SDA line is shifted into the I2CDIN register.
1	RSV	0	Reserved = 0
2	TXE	1	I ² C transmitter empty. This bit, when set, indicates that the MCU can write data to the I2CDOUT register. TXE = 0 Transmitter is full. This bit is cleared when the MCU writes a byte to the I2CDOUT register. TXE = 1 Transmitter is empty. The I ² C controller sets this bit when the contents of the I2CDOUT are copied into the SDA shift register.
3	SP	0	I ² C EEPROM speed SP = 0 I ² C speed is 100 kbps. SP = 1 I ² C speed is 400 kbps.
4	RSV	0	Reserved = 0
5	ERR	0	Bus error condition. This bit is set by the hardware when the device does not respond. It is cleared by the MCU. This bit is cleared when the MCU writes a 1 to this bit. Writing a 0 to this bit has no effect. ERR = 0 No bus error ERR = 1 Bus error condition has been detected
6	RSV	0	Reserved = 0
7	RXF	0	I ² C receiver full. This bit indicates that the receiver contains new data. RXF = 0 Receiver is empty. This bit is cleared when the MCU reads the I2CDIN register. RXF = 1 Receiver contains new data. This bit is set by the I ² C interface controller when the received serial data has been loaded into the I2CDIN register.

10.1.2 I2CADR: I²C Device Address Register (XDATA at F0B1)

The I2CADR register holds the I²C device address and the read/write command bit.

7	6	5	4	3	2	1	0
A6	A5	A4	A3	A2	A1	A0	R/W
R/W	R/W	R/W	R/W	R/W	R/W	R/W	R/W

BIT	NAME	RESET	FUNCTION
0	R/W	0	Read/write command bit R/W = 0 Write operation R/W = 1 Read operation
7-1	A[6:0]	00h	Seven address bits for I ² C device addressing

10.1.3 I2CDIN: I²C Data_In Register (XDATA at F0B2)

The I2CDIN register holds the received data returned by read operation to the external I²C EEPROM.

7	6	5	4	3	2	1	0
D7	D6	D5	D4	D3	D2	D1	D0
R/O	R/O	R/O	R/O	R/O	R/O	R/O	R/O

BIT	NAME	RESET	FUNCTION
7-0	D[7:0]	00h	Read data returned from I ² C EEPROM

10.1.4 I2CDOUT: I²C Data_Out Register (XDATA at F0B3)

The I2CDOUT register holds the data to be transmitted to the external I²C EEPROM for write operation. Writing to the I2CDOUT register starts the transfer on the SDA line.

7	6	5	4	3	2	1	0
D7	D6	D5	D4	D3	D2	D1	D0
W/O	W/O	W/O	W/O	W/O	W/O	W/O	W/O

BIT	NAME	RESET	FUNCTION
7-0	D[7:0]	00h	Write data to be transmitted to the I ² C EEPROM

10.2 Random-Read Operation

A random read requires a dummy byte-write sequence to load in the data word address. Once the device-address word and the data-word address are clocked out and acknowledged by the device, the MCU starts a current-address sequence. The following describes the sequence of events to accomplish this transaction.

Device Address + EEPROM [High Byte]

- The TUSB6250 hardware detects 3-ms bus idle.
- The MCU sets I2CSCR [STOP] = 0. This forces the I²C interface controller not to generate a stop condition after either the contents of the I2CDIN register are received or contents of the I2CDOUT register are transmitted.
- The MCU writes the device address (R/W bit = 0) to the I2CADR register (write operation).
- The MCU writes the high byte of the I²C EEPROM address into the I2CDOUT register (this starts the transfer on the SDA line).
- The TXE bit in the I2CSCR register is cleared (indicates busy).
- The contents of the I2CADR register are transmitted to the I²C EEPROM (preceded by a start condition on SDA).
- The contents of the I2CDOUT register are transmitted to the I²C EEPROM (EEPROM address).
- The TXE bit in the I2CSCR register is set and interrupts the MCU, indicating that the I2CDOUT register has been transmitted.
- Stop condition is not generated.

EEPROM [Low Byte]

- The MCU writes the low byte of the I²C EEPROM address into the I2CDOUT register.
- The TXE bit in the I2CSCR register is cleared (indicates busy).
- The contents of the I2CDOUT register are transmitted to the I²C EEPROM (EEPROM address).
- The TXE bit in the I2CSCR register is set and interrupts the MCU, indicating that the I2CDOUT register has been transmitted.
- This completes the dummy write operation. At this point, the I²C EEPROM address is set and the MCU can perform either a single- or a sequential-read operation.

10.3 Current-Address Read Operation

Once the I²C EEPROM address is set, the MCU can read a single byte by executing the following steps:

1. The MCU sets I2CSCR [STOP] = 1. This forces the I²C controller to generate a stop condition after the I2CDIN register contents are received.
2. The MCU writes the device address (R/\overline{W} bit = 1) to the I2CADR register (read operation).
3. The MCU writes a dummy byte to the I2CDOUT register (this starts the transfer on SDA line).
4. The RXF bit in the I2CSTA register is cleared.
5. Contents of the I2CADR register are transmitted to the device (preceded by a start condition on SDA).
6. Data from the I²C EEPROM are latched into the I2CDIN register (a stop condition is transmitted).
7. The RXF bit in the I2CSCR register is set and interrupts the MCU, indicating that the data is available.
8. The MCU reads the I2CDIN register. This clears the RXF bit (I2CSCR [RXF] = 0).
9. End

10.4 Sequential-Read Operation

Once the I²C EEPROM address is set, the MCU can execute a sequential-read operation by executing the following steps (this example illustrates a 32-byte sequential read):

Device Address

- The MCU sets I2CSCR [STOP] = 0. This forces the I²C controller to not generate a stop condition after the I2CDIN register contents are received.
- The MCU writes the device address (R/W bit = 1) to the I2CADR register (read operation).
- The MCU writes a dummy byte to the I2CDOUT register (this starts the transfer on the SDA line).
- The RXF bit in the I2CSCR register is cleared.
- The contents of the I2CADR register are transmitted to the device (preceded by a start condition on SDA).

N-Byte Read (31 Bytes)

- Data from the device is latched into the I2CDIN register (stop condition is not transmitted).
- The RXF bit in the I2CSCR register is set and interrupts the MCU, indicating that data is available.
- The MCU reads the I2CDIN register. This clears the RXF bit (I2CSCR [RXF] = 0).
- This operation repeats 31 times.

Last-Byte Read (Byte 32)

- The MCU sets I2CSCR [STOP] = 1. This forces the I²C controller to generate a stop condition after the I2CDIN register contents are received.
- Data from the device is latched into the I2CDIN register (a stop condition is transmitted).
- The RXF bit in the I2CSCR register is set and interrupts the MCU, indicating that data is available.
- The MCU reads the I2CDIN register. This clears the RXF bit (I2CSCR [RXF] = 0).
- End

10.5 Byte-Write Operation

The byte-write operation involves three phases: device address + EEPROM [high byte] phase, EEPROM [low byte] phase, and EEPROM [DATA] phase. The following describes the sequence of events to accomplish the byte-write transaction.

Device Address + EEPROM [High Byte]

- The MCU sets I2CSCR [STOP] = 0. This forces the I²C interface controller not to generate a stop condition after the contents of the I2CDOUT register are transmitted.
- The MCU writes the device address (R/W bit = 0) to the I2CADR register (write operation).
- The MCU writes the high byte of the I²C EEPROM address into the I2CDOUT register (this starts the transfer on the SDA line).
- The TXE bit in the I2CSCR register is cleared (indicates busy).
- The contents of the I2CADR register are transmitted to the I²C EEPROM (preceded by a start condition on SDA).
- The contents of the I2CDOUT register are transmitted to the I²C EEPROM (EEPROM high address).
- The TXE bit in the I2CSCR register is set and interrupts the MCU, indicating that the I2CDOUT register contents have been transmitted.

EEPROM [Low Byte]

- The MCU writes the low byte of the I²C EEPROM address into the I2CDOUT register.
- The TXE bit in the I2CSCR register is cleared (indicating busy).
- The contents of the I2CDOUT register are transmitted to the I²C EEPROM (EEPROM low address).
- The TXE bit in the I2CSCR register is set and interrupts the MCU, indicating that the I2CDOUT register contents have been transmitted.

EEPROM [DATA]

- The MCU sets I2CSCR [STOP] = 1. This forces the I²C interface controller to generate a stop condition after the contents of I2CDOUT register are transmitted.
- The data to be written to I²C EEPROM is written by the MCU into the I2CDOUT register.
- The TXE bit in the I2CSCR register is cleared (indicates busy).
- The contents of the I2CDOUT register are transmitted to the I²C EEPROM (EEPROM data).
- The TXE bit in the I2CSCR register is set and interrupts the MCU, indicating that the I2CDOUT register contents have been transmitted.
- The I²C interface controller generates a stop condition after the contents of the I2CDOUT register are transmitted.
- End

10.6 Page-Write Operation

The page-write operation is initiated in the same way as the byte-write operation, with the exception that a stop condition is not generated after the first I²C EEPROM [DATA] is transmitted. The following describes the sequence of writing 32 bytes in page mode.

Device Address + EEPROM [High Byte]

- The MCU sets I2CSCR [STOP] = 0. This forces the I²C interface controller not to generate a stop condition after the contents of the I2CDOUT register are transmitted.
- The MCU writes the device address (R/W bit = 0) to the I2CADR register (write operation).
- The MCU writes the high byte of the I²C EEPROM address into the I2CDOUT register.
- The TXE bit in the I2CSCR register is cleared (indicating busy).
- The contents of the I2CADR register are transmitted to the I²C EEPROM (preceded by a start condition on SDA).
- The contents of the I2CDOUT register are transmitted to the I²C EEPROM (EEPROM address).
- The TXE bit in the I2CSCR register is set and interrupts the MCU, indicating that the I2CDOUT register contents have been transmitted.

EEPROM [Low Byte]

- The MCU writes the low byte of the I²C EEPROM address into the I2CDOUT register.
- The TXE bit in the I2CSCR register is cleared (indicates busy).
- The contents of the I2CDOUT register are transmitted to the I²C EEPROM (EEPROM address).
- The TXE bit in the I2CSCR register is set and interrupts the MCU, indicating that the I2CDOUT register contents have been transmitted.

EEPROM [DATA] – 31 Bytes

- The data to be written to the I²C EEPROM is written by the MCU into the I2CDOUT register.
- The TXE bit in the I2CSCR register is cleared (indicates busy).
- The contents of the I2CDOUT register are transmitted to the I²C EEPROM (EEPROM data).
- The TXE bit in the I2CSCR register is set and interrupts the MCU, indicating that the I2CDOUT register contents have been transmitted.
- This operation repeats 31 times.

EEPROM [DATA] – Last Byte

- The MCU sets I2CSCR [STOP] = 1. This forces the I²C interface controller to generate a stop condition after the contents of the I2CDOUT register are transmitted.
- The MCU writes the last data byte to be written to the I²C EEPROM into the I2CDOUT register.
- The TXE bit in the I2CSCR register is cleared (indicates busy).
- The contents of the I2CDOUT register are transmitted to I²C EEPROM (EEPROM data)
- The TXE bit in the I2CSCR register is set and interrupts the MCU, indicating that the I2CDOUT register contents have been transmitted.
- The I²C interface controller generates a stop condition after the contents of I2CDOUT register are transmitted.
- End of 32-byte page-write operation

10.7 I²C EEPROM Head Block

To fully use the maximum speed of the variety of I²C EEPROMs on the market, the I²C interface controller in the TUSB6250, along with boot code and firmware, features a special mechanism to detect the speed supported by the I²C EEPROM connected to its I²C port. In order that the auto-detect mechanism works correctly, it is required that any I²C EEPROM connected to the I²C port with valid data stored, must have a fixed 2-byte signature at address 0 of the I²C EEPROM.

Table 10–1. I²C EEPROM Signature in Descriptor Block

I ² C EEPROM ADDRESS	REQUIRED SIGNATURE IN I ² C EEPROM
Byte 0 (hex)	0x50
Byte 1 (hex)	0x62
Byte 2 (hex)	Starting I ² C EEPROM header/descriptor block
...	...

NOTE: For detailed information regarding the I²C EEPROM header/descriptor block, see the TUSB6250 Boot Code application note (SLLA126).

During the power-up boot-up sequence, the boot code uses the following sequences to determine whether the I²C EEPROM connected has any valid data.

1. Reads byte 0 and byte 1 in the I²C EEPROM with 100 Kbits/sec speed (based on the default reset value of SP bit in the I2CSCR register) to see whether the connected I²C EEPROM returns a valid signature 0x6250.
 - a. If a valid signature is returned, the boot code concludes that the I²C EEPROM contains valid data.
 - b. The boot code then operates according to the boot sequence defined in the TUSB6250 boot code document.
2. If the foregoing read does not return the valid signature, the boot code considers that either the I²C EEPROM is blank or there is no I²C EEPROM connected at the TUSB6250 I²C port.

11 ATA/ATAPI Interface Port

The ATA/ATAPI controller embedded in the TUSB6250 acts as a bridge between the device USB interface and ATA/ATAPI interface. A high-performance DMA engine is implemented in the ATA/ATAPI controller to move data automatically between the TUSB6250 sector FIFO and the ATA/ATAPI interface port where the external ATA/ATAPI mass storage device is connected.

Unlike other state-machine-based USB 2.0 ATA/ATAPI mass storage bridge controllers on the market, the TUSB6250 offers both the performance achieved by using a DMA state machine, and the flexibility provided through the MCU and firmware control.

Figure 11–1 illustrates the data flow between the TUSB6250 USB interface and a mass storage device (for example, a hard disk drive) connected to the controller ATA/ATAPI port. Figure 11–2 illustrates all major blocks in the ATA/ATAPI controller. The TUSB6250 supports the USB mass storage class bulk-only transport protocol, which consists of three stages for each data transfer: command, data, and status.

- In the command stage, the host commands to the drive are processed by the MCU. The commands issued by the USB host are transferred through the USB bulk pipe to the addressed USB bulk endpoint. The MCU dispatches the commands to the proper ATA/ATAPI registers.
- In the data stage, the TUSB6250 allows data to be transferred:
 - Manually by firmware. As such, the data movement between the upstream USB interface and the 4K byte EDB is processed by the UBM. However, the data between the 4K-byte EDB and the ATA/ATAPI interface is processed by the MCU.
 - Automatically by the DMA engine in the ATA/ATAPI controller. As such, the UBM moves the data between the upstream USB interface and the sector FIFO. Then, the data is automatically moved between the sector FIFO and the ATA/ATAPI interface by the DMA engine without MCU intervention.
- In the status stage, when a command is terminated, the ATA/ATAPI controller interrupts the MCU with command completion or error information. The MCU then performs reads from the ATA/ATAPI drive status registers and reports back to the USB host via the addressed USB bulk-in endpoint.

Note that the sector data transfer is a half-duplex operation. The dotted line between the MCU and the sector FIFO in the diagram indicates that the MCU can only access the sector FIFO indirectly by using the MCU access address and data registers defined in the ATA/ATAPI group-2 register section.

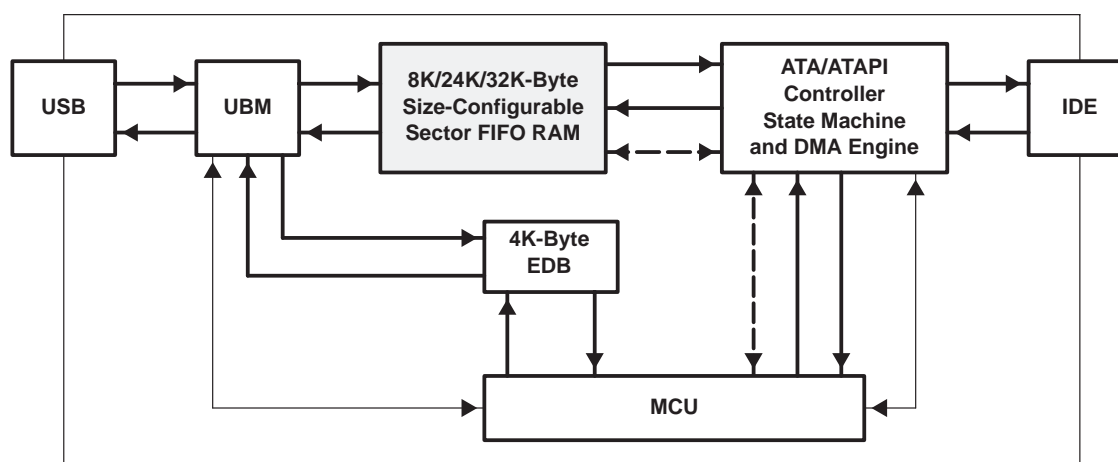


Figure 11–1. ATA/ATAPI-Port Data Flow Diagram

11.1 TUSB6250 ATA Controller Architecture Overview

The TUSB6250 ATA/ATAPI controller contains three state machines, the ATA/ATAPI CSR registers, and the sector FIFO controller, as illustrated in Figure 11–2. The sector FIFO controller is the high-performance DMA engine discussed in the previous section.

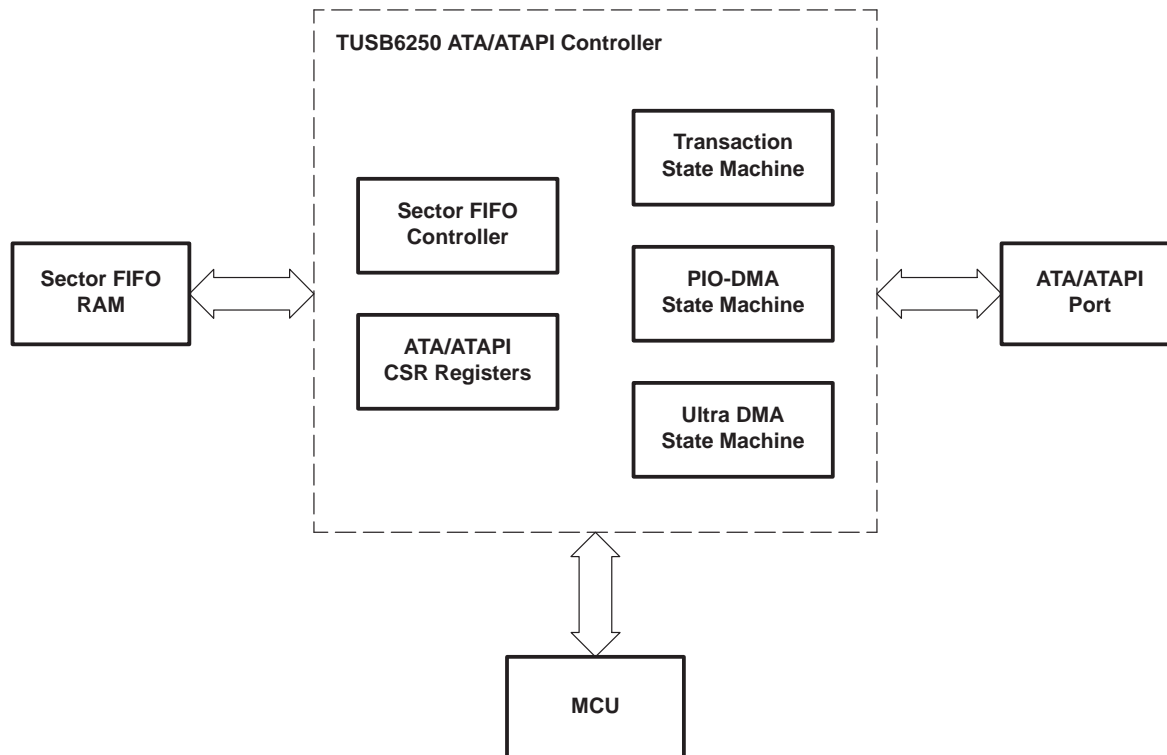


Figure 11–2. TUSB6250 ATA/ATAPI Controller Block Diagram

11.1.1 ATA/ATAPI Controller State Machine

The following state machines are responsible for command and data transfer between the ATA/ATAPI interface port and the TUSB6250 internal logic.

- **Transaction state machine**—The transaction state machine handles command level transactions. It also controls the PIO-DMA state machine and the ultra DMA state machine to perform actual data transfer between the TUSB6250 internal logic and the ATA/ATAPI interface port.
- **PIO-DMA state machine**—The PIO-DMA state machine handles PIO transfers and multiword DMA transfers.
- **Ultra DMA state machine**—The ultra DMA state machine handles ultra DMA transfers.

11.1.2 Sector FIFO Controller

As described in Section 6.1, *MCU Memory Map*, the sector FIFO RAM is used as the data buffer for the data being transferred between the TUSB6250 ATA/ATAPI interface and the USB interface in the automatic data-transfer mode. The name *sector FIFO* implies it is derived from the data buffer for the sector data of an ATA hard-disk drive, although the sector FIFO of the TUSB6250 can actually be used for either ATA or ATAPI data buffering in the automatic data transfer mode. The TUSB6250 features a unique size-configurable sector FIFO to allow efficient code and data space usage. The sector FIFO size can be partitioned as 8K bytes, 24K bytes, or 32K bytes.

The sector FIFO can be accessed by the UBM, ATA/ATAPI controller, and the MCU, where the MCU can only be indirectly accessed by going through the ATA/ATAPI CSR and the sector FIFO controller. The UBM access has the highest priority, the ATA/ATAPI controller has the middle level access priority, and the MCU access has the lowest priority.

11.1.3 ATA/ATAPI CSR Registers

The ATA/ATAPI CSR register block contains all the ATA/ATAPI control and status registers, which are categorized into three register groups based on their function.

- **ATA/ATAPI group 0 registers**—This group consists of 16 Task_File registers, which are normally used to pass commands along with the related parameters to the ATA/ATAPI drives in auto-command modes that are described in Section 11.3, *TUSB6250 ATA/ATAPI Controller Transfer Modes*.
- **ATA/ATAPI group 1 registers**—The 16 registers of this group normally are used to configure the ATA/ATAPI interface (for example, transfer mode, speed and timing, etc.) and set up the parameters needed for the data transfer to be performed (for example, transfer byte-count, command length, block sector count, etc.).
- **ATA/ATAPI group 2 registers**—The 26 registers of this group normally are used to check the status of the drive and data transfer through the ATA/ATAPI interrupt registers. The group also includes the registers to enable the MCU access to the sector FIFO. There are some registers that allow the firmware to handle all 13 cases of the bulk-only transfer protocol specification when there is any error condition on the ATA/ATAPI drive side.

As described previously, the MCU can access the sector FIFO only indirectly by using its address and data registers in the ATA/ATAPI group 2 registers (MCU data byte_n registers and the MCU access address low-/high-byte registers).

11.2 ATA/ATAPI Port Power-On Sequencing and 3-State Control

As described in Section 5.3.1, *Unique Power-On Sequencing to the Storage Device*, the TUSB6250 offers unique power-on sequencing features, which provides design flexibility to the drive developers, especially if multiple devices share the ATA/ATAPI bus. Unlike other USB-to-ATA/ATAPI bridge controllers, the TUSB6250 powers up with its ATA/ATAPI interface totally disabled and with its output buffers in the high-impedance state. The internal pulldown resistors are also enabled by default after the power-up reset. Once the firmware is loaded into the code RAM, it then has the control to enable the ATA/ATAPI bus and reconfigure all the GPIOs along with the pullup and pulldown resistors at any time required by the application.

Another key feature of the TUSB6250 is that it allows the firmware to disable the entire ATA/ATAPI bus and put it into the high-impedance state during normal operation, simply by setting the ATP_DIS bit in the CMNDLNGTH (command length) register. To reenables the interface, the firmware must clear the ATP_DIS bit. The TUSB6250 also provides pullup and/or pulldown resistors on most of its ATA/ATAPI interface pins, which sets it apart from other mass-storage controller chips.

The advantages of the above features are as follows:

- The ATA/ATAPI interface powering up in the high-impedance state enables the end-product application to meet the critical 100-mA bus-power current consumption limit required by the USB 2.0 specification. Otherwise, if a hard-disk drive is powered up and performs a start-up disk spin-up at the same time, while the TUSB6250 is powering up, the surge current is likely to exceed 100 mA.
- This also protects the mass-storage device connected to the TUSB6250 ATA/ATAPI interface from damage, if the mass-storage device is not equipped with fail-safe I/O buffers.
- The firmware controllable 3-state feature allows the TUSB6250 to share the ATA/ATAPI bus with another TI DSP or microcontroller implemented on the same end-product PCB.

The ATA/ATAPI bus 3-state control feature can also be implemented based on an external event. For example, if an onboard DSP shares the same ATA/ATAPI bus with the TUSB6250 in a portable digital audio player application, the end product could use the remote-wakeup-capable P3.5 pin as an ATA/ATAPI bus-request signal to alert the TUSB6250 when the DSP needs the ATA/ATAPI bus. The TUSB6250, under flexible firmware control, finishes the current data-transferring task it is performing and then grants the ATA/ATAPI bus to the DSP. Vice versa, the TUSB6250 can also use another GPIO as the bus-request signal to alert the DSP when it needs the ATA/ATAPI bus. With the many GPIOs the TUSB6250 offers, flexible handshake functions between the two on-board controllers are easily accomplished.

Figure 11–3 illustrates the power up and reset sequences for the TUSB6250 ATA/ATAPI interface.

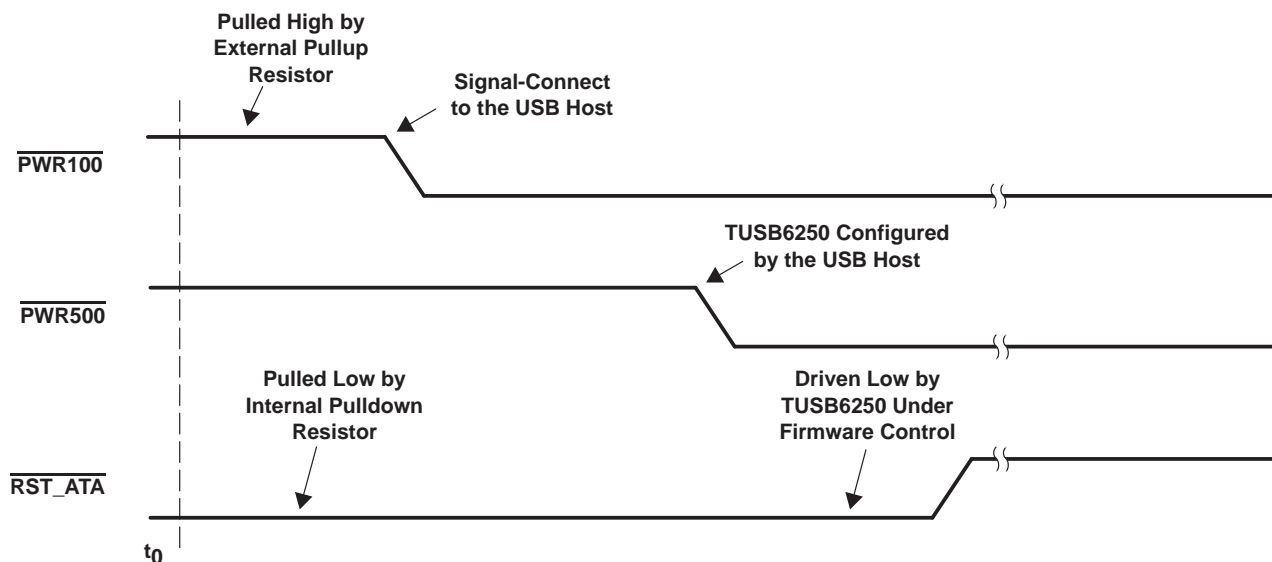


Figure 11–3. ATA/ATAPI Bus Power-Up and Reset Sequence

Note that the $\overline{\text{PWR500}}$ function showed in the Figure 11–3 is not implemented in the TUSB6250 hardware. The option of whether to implement this functionality in the firmware as described is up to the end-product developer. The detailed ATA/ATAPI bus behavior is described as follows for reference. Figure 11–3 assumes the power-up reset to the TUSB6250 is finished and the controller is in the boot sequence under the control of boot code at the beginning, which is marked as the time t_0 as shown:

- After power-up reset, the whole ATA/ATAPI interface of the TUSB6250 is disabled with all output buffers turned off. Internal 200- μA pulldown resistors are enabled on all signals of the ATA/ATAPI bus to avoid bus floating. As shown in Figure 11–3, the output buffer on the $\overline{\text{RST_ATA}}$ signal is also turned off with the internal pulldown resistor enabled.
- Both the $\overline{\text{PWR100}}$ and $\overline{\text{PWR500}}$ pins are open-drain outputs without internal pullup or pulldown resistors. Their open-drain buffers are turned off during power-up reset. It is the developer's responsibility to have external pullup resistors to pull these two signals up during power up.
- Whenever VBUS is detected from the upstream USB bus, the boot code drives $\overline{\text{PWR100}}$ low to indicate that the controller is in the enumeration stage and allowed to consume 100 mA from the VBUS. This can also serve as an alert signal to let the ATA/ATAPI device connected to the TUSB6250 ATA/ATAPI interface prepare for the upcoming ATA/ATAPI power-up reset sequencing.
- When the TUSB6250 is fully configured by the upstream USB host, the end-product-specific application firmware could choose to drive the $\overline{\text{PWR500}}$ signal to low, which could be used to indicate that the complete end product is allowed to draw 500 mA for a bus-powered application. This signal, if implemented in firmware, can also act as a power-control signal to turn on the ATA/ATAPI drive.
- Once the TUSB6250 is fully configured and the application firmware is fully loaded, the boot code hands over the control to the application firmware, which reconfigures all GPIOs and pullup and pulldown resistors to meet the application requirement. When the firmware is ready, it drives the $\overline{\text{RST_ATA}}$ pin low by setting the HARD_RST bit in the ATPIFCNFG1 register. The firmware then enables the ATA/ATAPI bus by clearing the ATP_DIS bit in the CMNDLNGLTH register to start the ATA/ATAPI power-up reset sequencing. The firmware then clears the HARD_RST bit to de-assert $\overline{\text{RST_ATA}}$ when the ATA/ATAPI reset duration time is met.
- In case the boot code fails to detect the VBUS during boot time, it leaves the $\overline{\text{PWR100}}$ alone (without driving it). The firmware, once it has taken over, must perform the power sequencing to the ATAPI drive by asserting these two power-control signals. This applies to both the bus-powered application and the self-powered application.

11.3 TUSB6250 ATA/ATAPI Controller Transfer Modes

The supported *Universal Serial Bus Mass Storage Class Bulk-Only Transport* protocol uses only the bulk endpoint for the transport of command, data, and status. The transport command set used in the bulk-only protocol is actually based on the SCSI transparent command set, which is wrapped with some information related to the bulk-only protocol, to form the command block wrapper (CBW) for a specific transport.

At the command stage, the mass storage application at the host side sends a CBW to a USB mass storage device. The TUSB6250, as a USB mass-storage bridge controller, performs analysis of the CBWCB received from the host and translates the CBWCB into a sequence of command block register writes to the ATA/ATAPI storage device connected to the TUSB6250 ATA/ATAPI interface. The storage device interprets the command block register contents as a set of commands and prepares the following data transfer from the host, if there is any.

A CBW consists of the following major elements:

- *dCBWSignature*—This is used to help identify the data packet received from the host as a valid CBW.
- *dCBWTag*—This is a tag associating a specific CBW and command status wrapper (CSW).
- *dCBWDataTransferLength*—This specifies the number of bytes the host expects to transfer on the bulk-in or bulk-out endpoint.
- *bmCBWFlags*—This field contains the data transfer direction for the current CBW, which can be either from the host to the mass storage device or vice versa.
- *bCBWLUN*—This field specifies the logic unit number to which the command block is being sent.
- *bCBWCBLength*—This field specifies the valid length of the CBWCB in bytes, which is the valid length of the command block. The only legal values are 1 through 16.
- *CBWCB*—This is the command block to be executed by the device. The device interprets the first *bCBWCBLength* bytes in this field as a command block, as defined by the command set identified by *bInterfaceSubClass*, which is the SCSI transparent command set.

At the status stage, a CSW is sent back to the host with the drive-status-related information. A valid CSW consists of a valid *dCSWSignature*, *dCSWTag*, which is the same as the *dCBWTag* for a given CBW, *dCSWDataResidue*, which is the difference of data amount between what the host expects and what the mass storage device actually processed, and the *bCSWStatus*, which indicates the success or failure of the CBW. For more detailed information, see the *Universal Serial Bus Mass Storage Class Bulk-Only Transport* specification.

It should be noted that for the TUSB6250 ATA/ATAPI controller, the status stage is always processed by the MCU, which adds valuable flexibility for the firmware when handling any ATA/ATAPI drive-related error condition.

Because the TUSB6250 is equipped with an MCU, state machine, and DMA engine, it supports three kinds of data transfer modes or schemes, based on the amount of involvement from the MCU and state machine: fully-manual mode, semiautomatic mode, and fully automatic mode. These modes, different in the amount of automation involved during the command stage and data stage, are the schemes used by the TUSB6250 for a given CBW data transfer, which should not be confused with the PIO or UDMA transfer modes defined in the ATA/ATAPI-5 specification.

- **Fully manual mode**—In this mode, the MCU is responsible to handle all the data movement between the 4K byte EDB and the ATA/ATAPI interface for the command, data, and status stages. The sector FIFO is not used. The firmware must use ATA/ATAPI access registers 0 to 3 (ATPACSREG0–ATPACSREG3) to perform ATA/ATAPI drive register access. The data transfer throughput is low compared to the semiautomatic and fully-automatic mode. In order to transfer one byte, the firmware must manually write each data byte into the ATA/ATAPI access registers.

- **Semiautomatic mode**—In this mode, similar to the fully manual mode, the MCU is also responsible for handling all data movement between the 4K-byte EDB and the ATA/ATAPI interface for the command and status stages. However, during the data stage, the sector FIFO and ATA/ATAPI controller along with the DMA engine are used to process the transfer when the firmware sets the MAP_SECF bit in either the IEPCNFG_n or OEPCNFG_n register and sets the START_ATAPI bit in the ATPIFCNFG1 register. The firmware is not required to be involved in the lengthy data stage transfer.
- **Fully automatic mode**—In this mode, the MCU must handle only the status stage and the partial command stage. During the command stage, the firmware is not required to send the CBWCB to the drive manually. Instead, it must only fill up the correct contents required for the current CBW into the Task_File registers of the group 0 registers. Once the firmware finishes this task, the only thing it is required to do is set the AUTO_CMD and START_ATAPI bits in the ATPIFCNFG1 register. The ATA/ATAPI controller of the TUSB6250 then performs the command writes to the ATA/ATAPI drive in the sequence required by the ATA/ATAPI-5 specification, followed by the data transfer, if any. The MAP_SECF bit must be set in either the IEPCNFG_n or OEPCNFG_n register in order to use the sector FIFO for the automatic data transfer in the data stage. When the ATA/ATAPI controller finishes the transfer of the data stage, it triggers the MCU with an ATA/ATAPI interrupt (vector value of 0x48) with the command completion information provided in some of the group-2 registers. The hardware also clears the MAP_SECF bit so that the following status stage and command stage of the next CBW can use the 4K-byte EDB. The firmware then starts the status stage task to prepare the information required in the CSW to be sent back to the host. This mode has the highest data transfer throughput among all three modes due to the minimum MCU involvement.

11.4 ATA/ATAPI Group 0 (Task_File) Registers

Table 11–1. Task_File Registers (Group 0)

MMR ADDRESS	OFFSET ADDRESS (BASE ADDRESS = F0C0)	REGISTER DESCRIPTION
F0C0	00h	Task_File0 register
F0C1	01h	Task_File1 register
F0C2	02h	Task_File2 register
F0C3	03h	Task_File3 register
F0C4	04h	Task_File4 register
F0C5	05h	Task_File5 register
F0C6	06h	Task_File6 register
F0C7	07h	Task_File7 register
F0C8	08h	Task_File8 register
F0C9	09h	Task_File9 register
F0CA	0Ah	Task_File10 register
F0CB	0Bh	Task_File11 register
F0CC	0C	Task_File12 register
F0CD	0Dh	Task_File13 register
F0CE	0Eh	Task_File14 register
F0CF	0Fh	Task_File15 register

The Task_File0 to Task_File15 registers are used to send ATA/ATAPI commands and command-required parameters to the ATA/ATAPI interface. The MCU performs read and write operations to these Task_File registers. This group of registers is only used in the fully automatic mode that is described in Section 11.3. In the fully automatic mode, the ATA/ATAPI controller is responsible to perform transfer writes in the command stage of a given CBW. The firmware must set the AUTO_CMD bit in the ATPIFCNFG1 register to enable this automatic command transfer feature.

- **If the AUTO_CMD bit is set and the external storage device is an ATA device:**

The MCU starts the command execution with the transaction state machine of the TUSB6250 ATA/ATAPI controller writing the following Task_File registers to their corresponding ATA registers (called command block registers) in the ATA device with the fixed sequence:

1. Task_File6 → Device/head register
2. Task_File1 → Feature register
3. Task_File2 → Sector count register
4. Task_File3 → Sector number register
5. Task_File4 → Cylinder low register
6. Task_File5 → Cylinder high register
7. Task_File7 → Command register

Once the write to these command block registers is done, if the command is not a nondata command, the TUSB6250ATA/ATAPI controller prepares the data transfer.

- **If the AUTO_CMD bit is set and the external storage device is an ATAPI device:**

The MCU starts the command execution with the transaction state machine of the ATA/ATAPI controller first sending the packet command (command code A0h with DEV bit set to the value of DEV_SEL), then transferring command packets to the data register with 16-bit data (Task_File1, Task_File0), (Task_File3, Task_File2) ,etc., up to command_length. If command_length is an odd number, it is rounded to an even number. The maximum number of command_length is 16 bytes. Once writing a command packet to the device is complete, if the ATAPI command is not a nondata command, the ATA/ATAPI controller prepares the data transfer.

- **If the AUTO_CMD bit is not set (implies the fully-auto mode is not used):**

The Task_File0 to Task_File15 registers are not used by the transaction state machine of the ATA/ATAPI controller. The MCU is responsible to write command block registers manually to set up the command, read the status register to check if the device is busy or any error condition has occurred, and transfer command packets if the device is an ATAPI device.

After the MCU finishes the command setup, setting START_ATAPI to 1 in the semiautomatic mode (the AUTO_CMD bit is not set, but the MAP_SECF bit is set) causes the transaction state machine to start data transfer if the command is not a nondata command and there is no error.

11.5 ATA/ATAPI Group 1 Registers

Table 11–2. Group 1 Registers

MMR ADDRESS	Offset Address (Base Address = F0C0)	REGISTER DESCRIPTION
F0D0	10h	ATA/ATAPI interface configuration register 0
F0D1	11h	ATA/ATAPI interface configuration register 1
F0D2	12h	ATA/ATAPI access register 0
F0D3	13h	ATA/ATAPI access register 1
F0D4	14h	ATA/ATAPI access register 2
F0D5	15h	ATA/ATAPI access register 3
F0D6	16h	Transfer byte-count register 0 (7:0)
F0D7	17h	Transfer byte-count register 1 (15:8)
F0D8	18h	Transfer byte-count register 2 (23:16)
F0D9	19h	Transfer byte-count register 3 (31:24)
F0DA	1Ah	Command length register
F0DB	1Bh	Block sector count register
F0DC	1Ch	PIO transfer speed (assertion time) register
F0DD	1Dh	PIO transfer speed (recovery time) register
F0DE	1Eh	DMA transfer speed (assertion time) register
F0DF	1Fh	DMA transfer speed (recovery time) register

11.5.1 ATPIFCNFG0: ATA/ATAPI Interface Configuration Register 0 (XDATA at F0D0)

The ATPIFCNFG0 register contains ATA/ATAPI interface configuration information and is cleared by a power up or a WDT reset. A USB reset cannot reset the ATPIFCNFG0 register.

The UABYCNAB bit is used to enable read access to the USB or ATA/ATAPI transfer byte-count registers (set), which share the same addresses at 0xF0D6–0xF0D9. Before accessing a particular register set between the two, the firmware must set this bit to a certain value. To avoid overwriting the value of other bits, the firmware must read the contents of the ATPIFCNFG0 register, change the UABYCNAB bit to write the bit[6:0] value of the read content, and then write the result back to the ATPIFCNFG0 register.

7	6	5	4	3	2	1	0
UABYCNAB	RSV	RSV	RSV	USBWPNABRTEN	DMADIRCKEN	TRANS_MOD1	TRANS_MOD0
R/W	R/O	R/O	R/O	R/W	R/W	R/W	R/W

BIT	NAME	RESET	FUNCTION
1-0	TRANS_MOD[1:0]	00	ATA/ATAPI transfer mode. TRANS_MOD = 00 PIO mode TRANS_MOD = 01 Multiword DMA mode TRANS_MOD = 10 Reserved TRANS_MOD = 11 Ultra DMA mode
2	DMADIRCKEN	0	DMA direction check enable. This bit, when set, enables the TUSB6250 state machine to check the DMA transfer direction matching between the TUSB6250 and the ATAPI device automatically before performing the ATAPI DMA data transfer. If there is a mismatch in DMA data transfer direction, the data transfer is aborted and the ATP_DSEQ_ER in the ATPINTRPT1 register is set to indicate the error. This bit is not used in ATA data transfer.
3	USBWPNABRTEN	0	USB write pending abort enable. During a write data transfer to an ATA/ATAPI device, if any byte-count mismatch occurs at the USB interface side of the TUSB6250 the process of moving the last received data packet from the sector FIFO to an ATA/ATAPI device is paused to wait for the MCU decision. This bit, when set, allows the MCU to abort and flush the last received packet into the sector FIFO. This bit, when cleared, allows the MCU to move all the data stored in sector FIFO to an ATA/ATAPI device up to the <i>dCBWDataTransferLength</i> . The MCU must ensure it sets this bit properly before clearing the USB_XFR_PND interrupt.
6-4	RSV	000	These three bits must be set to 000 during normal operation.
7	UABYCNAB	0	USB or ATA/ATAPI byte-count register access control bit. UABYCNAB = 0 Enables read access to the USB byte-count register (0xF0D6-0xF0D9). UABYCNAB = 1 Enables read access to the ATAPI byte-count register (0xF0D6-0xF0D9).

11.5.2 ATPIFCNFG1: ATA/ATAPI Interface Configuration Register 1 (XDATA at F0D1)

7	6	5	4	3	2	1	0
ATP_MOD	SOFT_RST	HARD_RST	XFER_DIR	AUTO_CMD	START_ATAPI	NON_DA_CMD	DEV_SEL
R/W	W/C	R/W	R/W	R/W	W/C	R/W	R/W
BIT	NAME	RESET	FUNCTION				
0	DEV_SEL	0	ATAPI device select. When ATP_MOD = 1 and AUTO_CMD = 1 and START_ATAPI = 1 and: DEV_SEL = 0 The internal state machine sets the DEV bit of the device/head register to 0 when it sends the packet command. DEV_SEL = 1 The internal state machine sets the DEV bit of the device/head register to 1 when it sends the packet command.				
1	NON_DA_CMD	0	Non-data command. When START_ATAPI = 1 and: NON_DA_CMD = 0 The internal state machine expects to transfer data between the TUSB6250 and the storage device. NON_DA_CMD = 1 The internal state machine does not transfer data.				
2	START_ATAPI	0	Start ATA/ATAPI transfer. Set by the MCU/self-cleared. When this bit is set (START_ATAPI = 1), the internal state machine starts: <ul style="list-style-type: none"> • Sending a command if AUTO_CMD = 1 • Transferring data if AUTO_CMD = 0 START_ATAPI remains active for one clock cycle. It is cleared thereafter automatically. The data transfer size is determined by the transfer byte count TRNS_BCN[31:0].				
3	AUTO_CMD	0	Auto command. When this bit is set (AUTO_CMD = 1), the internal state machine automatically fetches the CBW command and command parameters from Task_File0 to Task_File15, which is loaded to the storage device to start the command execution once the MCU sets START_ATAPI to 1.				
4	XFER_DIR	0	ATA/ATAPI data transfer direction. XFER_DIR = 0 Data transfer is from the host (TUSB6250) to the storage device. XFER_DIR = 1 Data transfer is from the storage device to the host (TUSB6250).				
5	HARD_RST	0	ATA/ATAPI hardware reset. Set and cleared by the MCU. When this bit is set (HARD_RST = 1), the TUSB6250 drives the RST_ATA pin low, which creates a hard reset to the storage device. To dismiss a hard reset to the storage device, the MCU must write a 0 to the HARD_RST bit.				
6	SOFT_RST	0	ATA/ATAPI state machine soft reset. Set by the MCU/self cleared. When this bit is set (SOFT_RST = 1), the internal logic generates a soft reset to: <ul style="list-style-type: none"> • Reset the internal state machines, • Reset sector FIFO pointers (to 0), • Clear the internal data buffer. The internal soft reset signal lasts one clock cycle. The SOFT_RST bit is automatically cleared to 0 thereafter. The SOFT_RST bit has nothing to do with any reset function to the ATA/ATAPI device.				
7	ATP_MOD	0	ATAPI mode. ATP_MOD = 0 The storage device uses ATA transfer protocol. ATP_MOD = 1 The storage device uses ATAPI transfer protocol.				

11.5.3 ATPACSREG0: ATA/ATAPI Access Register 0 (XDATA at F0D2)

ATPACSREG1 and ATPACSREG0 are the ATA/ATAPI register access holding registers. For register write transfer, this register set contains the data to be written to a register.

For register read transfer, after the ATA/ATAPI register read transfer is done, ATP_DATA[15:0] contains the read value.

- If the read transfer does not access the data register, only ATP_DATA[7:0] contains valid data.
- If the read transfer accesses the data register, ATP_DATA[15:0] contains valid data.

7	6	5	4	3	2	1	0
ATP_DATA7	ATP_DATA6	ATP_DATA5	ATP_DATA4	ATP_DATA3	ATP_DATA2	ATP_DATA1	ATP_DATA0
R/W	R/W	R/W	R/W	R/W	R/W	R/W	R/W
BIT	NAME	RESET	FUNCTION				
7-0	ATP_DATA[7:0]	00h	ATA/ATAPI register access holding register low-byte value.				

11.5.4 ATPACSREG1: ATA/ATAPI Access Register 1 (XDATA at F0D3)

7	6	5	4	3	2	1	0
ATP_DATA15	ATP_DATA14	ATP_DATA13	ATP_DATA12	ATP_DATA11	ATP_DATA10	ATP_DATA9	ATP_DATA8
R/W	R/W	R/W	R/W	R/W	R/W	R/W	R/W
BIT	NAME	RESET	FUNCTION				
7-0	ATP_DATA[15:8]	00h	ATA/ATAPI register access holding register high-byte value.				

11.5.5 ATPACSREG2: ATA/ATAPI Access Register 2 (XDATA at F0D4)

7	6	5	4	3	2	1	0
ATP_ADR3	ATP_ADR2	ATP_ADR1	ATP_ADR0	ATP_WR	ATP_RD	CLR_SECFIFO	SECT_CNT8
R/W	R/W	R/W	R/W	W/C	W/C	W/C	R/O
BIT	NAME	RESET	FUNCTION				
0	SECT_CNT8	0	Sector count[8] is the most significant bit of SEC_CNT[8:0], which contains the read-only sector count value used by the ATA PIO data transfer only. See ATA/ATAPI access register 3 for detailed information.				
1	CLR_SECFIFO	0	Clear sector FIFO. Set by the MCU. Self-cleared one clock cycle later. When this bit is set (CLR_SECFIFO = 1), the internal logic clears all sector FIFO pointers back to 0 to make the sector FIFO completely empty and clears all the internal data buffers. If data transfer through sector FIFO is not terminated normally, the MCU must set this bit to 1. Otherwise, the next ATA/ATAPI command execution may carry residue data from the current command.				
2	ATP_RD	0	ATA/ATAPI bus read. Set by the MCU. Self-cleared when the register read transfer is finished. When this bit is set (ATP_RD = 1), the ATA/ATAPI register read transfer starts. <ul style="list-style-type: none"> • After the register read transfer is done, both ATP_RD and ATP_WR are cleared to 0 automatically and the register read data is stored in ATP_DATA[15:0]. • If both ATP_RD and ATP_WR are set to 1 by the MCU, only the register read transfer is carried out. The register write transfer is ignored. 				
3	ATP_WR	0	ATA/ATAPI bus write. Set by the MCU. Self-cleared when register write transfer is finished. When this bit is set (ATP_WR = 1), the ATA/ATAPI register write transfer starts with the write data stored in ATP_DATA[15:0]. After the register read transfer is done, both ATP_RD and ATP_WR are cleared to 0 automatically.				
7-4	ATP_ADR[3:0]	0h	ATA/ATAPI address[3:0] is used as the address to access the ATA/ATAPI command block registers and the ATA/ATAPI control block registers during register read or write access. <ul style="list-style-type: none"> • If ATP_ADR[3] = 0, the access is for ATA/ATAPI command block registers. ATP_ADR[2:0] is used to select one particular register among the ATA/ATAPI command block registers. • If ATP_ADR[3] = 1, the access is for ATA/ATAPI control block registers. ATP_ADR[2:0] is used to select one particular register among the ATA/ATAPI control block registers. Only the data register is 16-bit access. All other registers are 8-bit access. The internal state machine doesn't constrain the access to a reserved register.				

Table 11–3 shows the register address map for the command and control block registers used in the ATA and ATAPI devices.

Table 11–3. ATA and ATAPI Command and Control Block Registers

ATP_ADR [3]	ATP_ADR [2:0]	ATA PROTOCOL		ATAPI PROTOCOL	
		READ	WRITE	READ	WRITE
CONTROL BLOCK REGISTER					
0 ($\overline{\text{CS1}}$ pin asserted)	110	Alternate status	Device control	Alternate status	Device control
COMMAND BLOCK REGISTER					
1 ($\overline{\text{CS0}}$ pin asserted)	000	Data register		Data register	
	001	Error register	Feature register	Error register	Feature register
	010	Sector count		Interrupt reason	
	011	Sector number			
	100	Cylinder low		Byte count low	
	101	Cylinder high		Byte count high	
	110	Device/head		Device select	
	111	Status	Command	Status	Command

NOTE: The other addressable spaces not listed in the table are either reserved, not used, or obsolete addresses according to the ATA/ATAPI-5 specification. It is the application firmware's responsibility to ensure not to access those spaces. However, if developers must implement some vendor-specific function in those spaces, the TUSB6250 hardware does not restrict such access and still allows the transfer to go through.

11.5.6 ATPACSREG3: ATA/ATAPI Access Register 3 (XDATA at F0D5)

7	6	5	4	3	2	1	0
SECT_CNT7	SECT_CNT6	SECT_CNT5	SECT_CNT4	SECT_CNT3	SECT_CNT2	SECT_CNT1	SECT_CNT0
R/O	R/O	R/O	R/O	R/O	R/O	R/O	R/O

BIT	NAME	RESET	FUNCTION
0	SECT_CNT[7:0]	00h	Sector count[7:0] is the lower 8 bits of SEC_CNT[8:0], which contains the read-only sector count value used by the ATA PIO data transfer only. The SEC_CNT[8:0] initial value: <ul style="list-style-type: none"> • Comes from TRNS_BCN[17:9] when the MCU first loads the initial transfer byte-count value. • Should be consistent with the meaning of the ATA sector count register in the ATA PIO mode. After transferring each sector data (512 bytes), SEC_CNT[8:0] is decremented by 1. If the command execution is terminated normally, the final value of sector count[8:0] should become 0.

11.5.7 TRANSBCNT0: USB or ATA/ATAPI Transfer Byte-Count Register 0 (XDATA at F0D6)

There are two physical sets of transfer byte-count registers in the TUSB6250, which share the same address range from 0xF0D6 to 0xF0D9.

- The USB transfer byte-count register 0–3, which is used to count the data transferred across the USB interface.
- The ATA/ATAPI transfer byte-count register 0–3, which is used to count the data transferred across the ATA/ATAPI interface.

When the MCU performs write access to these registers (0xF0D6–0xF0D9), both the USB transfer byte-count register 0–3 and the ATA/ATAPI transfer byte-count register 0–3 are loaded with the same initial value. For read access to either set of these registers, the MCU must set the UABYCNAB bit in the ATPIFCNFG0 register to select read access to a particular register set.

The complete 32-bit transfer byte count (TRNS_BCN[31:0]) is stored in the USB or the ATA/ATAPI transfer byte-count registers 0–3.

The initial TRNS_BCN[31:0] is used to indicate the expected total transfer byte count for a command, which is equal to the dCBWDataTransferLength defined by the *Universal Serial Bus Mass Storage Class Bulk-Only* specification. After data is transferred through the USB or ATA/ATAPI interface, TRNS_BCN[31:0] is decremented accordingly. If the command is finished normally, the final TRNS_BCN[31:0] should become 0.

For ATA PIO mode, the MCU should load TRNS_BCN[17:9] with the expected sector number. TRNS_BCN[17:9] is then copied to SEC_CNT[8:0] as the sector count initial value.

7	6	5	4	3	2	1	0
TRNS_BCN7	TRNS_BCN6	TRNS_BCN5	TRNS_BCN4	TRNS_BCN3	TRNS_BCN2	TRNS_BCN1	TRNS_BCN0
R/W	R/W	R/W	R/W	R/W	R/W	R/W	R/W
BIT	NAME	RESET	FUNCTION				
0	TRNS_BCN[7:0]	00h	Transfer byte-count[7:0] value				

11.5.8 TRANSBCNT1: USB or ATA/ATAPI Transfer Byte-Count Register 1 (XDATA at F0D7)

7	6	5	4	3	2	1	0
TRNS_BCN15	TRNS_BCN14	TRNS_BCN13	TRNS_BCN12	TRNS_BCN11	TRNS_BCN10	TRNS_BCN9	TRNS_BCN8
R/W	R/W	R/W	R/W	R/W	R/W	R/W	R/W
BIT	NAME	RESET	FUNCTION				
0	TRNS_BCN[15:8]	00h	Transfer byte-count[15:8] value				

11.5.9 TRANSBCNT2: USB or ATA/ATAPI Transfer Byte-Count Register 2 (XDATA at F0D8)

7	6	5	4	3	2	1	0
TRNS_BCN23	TRNS_BCN22	TRNS_BCN21	TRNS_BCN20	TRNS_BCN19	TRNS_BCN18	TRNS_BCN17	TRNS_BCN16
R/W	R/W	R/W	R/W	R/W	R/W	R/W	R/W
BIT	NAME	RESET	FUNCTION				
0	TRNS_BCN[23:16]	00h	Transfer byte-count[23:16] value				

11.5.10 TRANSBCNT3: USB or ATA/ATAPI Transfer Byte-Count Register 3 (XDATA at F0D9)

7	6	5	4	3	2	1	0
TRNS_BCN31	TRNS_BCN30	TRNS_BCN29	TRNS_BCN28	TRNS_BCN27	TRNS_BCN26	TRNS_BCN25	TRNS_BCN24
R/W	R/W	R/W	R/W	R/W	R/W	R/W	R/W
BIT	NAME	RESET	FUNCTION				
0	TRNS_BCN[31:24]	00h	Transfer byte-count[31:24] value				

11.5.11 CMNDLNGTH: Command Length Register (XDATA at F0DA)

7	6	5	4	3	2	1	0
RSV	ATP_TRANS_DONE	ATP_DIS	CMD LENG4	CMD LENG3	CMD LENG2	CMD LENG1	CMD LENG0
R/O	R/W	R/W	R/W	R/W	R/W	R/W	R/W

BIT	NAME	RESET	FUNCTION
4–0	CMD LENG[4:0]	00h	Command length[4:0]. These bits are only used by the ATAPI device during the fully automatic mode, when the AUTO_CMD bit is set in the ATPIFCNFG1 register. CMD LENG[4:0] tells the internal state machines how many bytes from Task_File0 to Task_File15 must be transferred to the ATAPI data register as the command packet. In the ATA fully automatic mode, the TUSB6250 ATA/ATAPI controller state machine always fetches the ATA command block register value from the Task_File1 to Task_File7 registers and ignores the setting of the CMD LENG bits.
5	ATP_DIS	1	ATA/ATAPI bus disable. When this bit is set (ATP_DIS = 1), all output terminals of the TUSB6250 ATA/ATAPI bus are put in the high-impedance state, which is also the power-up default. The MCU must clear this bit at the appropriate time after the power-up reset of the TUSB6250 to enable the ATA/ATAPI bus outputs. <ul style="list-style-type: none"> This bit has no control of the TUSB6250 ATA/ATAPI state machine. It only puts the ATA/ATAPI bus in the high--state. This bit can only put the RST_ATA pin in 3-state when the HARD_RST bit (in ATPIFCNFG1 register) is not true. When the HARD_RST bit is true, the RST_ATA pin is driven low.
6	ATP_TRANS_DONE	0	ATA/ATAPI transfer done. This bit is only used in semi-auto mode and fully-auto mode data transfer. It is used by the firmware to notify the transaction state machine that the MCU is attempting to terminate the data transfer, so that the state machine hanging can be avoided in case any transfer byte-count mismatch occurs. The MCU can set this bit (ATP_TRANS_DONE = 1) to force the transaction state machine back to the idle state. When using this bit, the MCU shall make sure the transaction state machine goes back to the idle state (TRANS_STATE[4:0]=0x00 in the ATA transaction state register) before clearing ATP_TRANS_DONE to 0 to terminate the data transfer.
7	RSV	0	This bit must be set to 0 during normal operation.

11.5.12 PIOSPAS: PIO Transfer Speed (Assertion Time) Register (XDATA at F0DC)

The PIOSPAS register contains the PIO transfer speed (assertion time) information. The PIOSPAS register can be cleared by a power up or a WDT reset. A USB reset cannot reset the PIOSPAS register.

The assertion time is defined in the unit of a 60-MHz clock cycle (16.67 ns), which reflects the t_2 parameter value in an actual ATA/ATAPI drive (see the ATA/ATAPI-5 specification, page 293). The TUSB6250 state machine automatically adds one extra clock cycle to the setup value. Therefore, a 0–31 value in the register is corresponding to 1–32 clock cycles of PIO transfer assertion time.

7	6	5	4	3	2	1	0
USB_STATE_RST	RSV	RSV	PAST4	PST3	PAST2	PAST1	PAST0
W/O	R/O	R/O	R/W	R/W	R/W	R/W	R/W

BIT	NAME	RESET	FUNCTION
4–0	PAST[4:0]	00000	PIO transfer speed (assertion time) in the unit of a 60-MHz clock cycle.
6–5	RSV	00	Reserved
7	USB_STATE_RST	0	USB state machine reset. This bit is used by the MCU to notify the USB state machine that the MCU is attempting to terminate the data transfer, so that state machine hanging can be avoided in case any transfer byte-count mismatch occurs. The MCU can set this bit (USB_STATE_RST= 1) to force the USB state machine back to the idle state. This bit is write-only and always read back as 0.

11.5.13 PIOSPRC: PIO Transfer Speed (Recovery Time) Register (XDATA at F0DD)

The PIOSPRC register contains PIO transfer speed (recovery time) along with write data hold time information. The PIOSPRC register is cleared by a power-up or a WDT reset. A USB reset cannot reset the PIOSPRC register.

The unit of recovery time is defined as a single cycle of a 60-MHz clock (16.67 ns), which reflects the t_{21} parameter value in an actual ATA/ATAPI drive (see the ATA/ATAPI-5 specification, page 293). The TUSB6250 state machine automatically adds two extra clock cycles to the setup value. Therefore, a 0–31 value in the PIOSPRC register is corresponding to 2–33 actual clock cycles of PIO transfer recovery time.

The TUSB6250 has a fixed two-clock-cycle (33.334 ns) write data hold time in PIO mode, mentioned previously.

7	6	5	4	3	2	1	0
RSV	RSV	RSV	PRCVT ₄	PRCVT ₃	PRCVT ₂	PRCVT ₁	PRCVT ₀
R/O	R/O	R/O	R/W	R/W	R/W	R/W	R/W

BIT	NAME	RESET	FUNCTION
4–0	PRCV[4:0]	00000	PIO transfer speed (recovery time) in the unit of a 60-MHz clock cycle.
7–5	RSV	000	Reserved

11.5.14 DMASPAS: DMA Transfer Speed (Assertion Time) Register (XDATA at F0DE)

The DMASPAS register contains the DMA (including multiword DMA and ultra DMA) transfer speed (assertion time) information. The DMASPAS register can be cleared by a power-up or a WDT reset. A USB reset cannot reset the DMASPAS register.

The assertion time is defined in the unit of a 60-MHz clock cycle (16.67 ns), which shall reflect the t_d parameter (for multiword DMA) or t_{CYC} parameter (for ultra DMA) value in an actual ATA/ATAPI drive (see the ATA/ATAPI-5 specification, page 294 and 300).

The TUSB6250 state machine automatically adds extra clock cycle(s) to the assertion time setup value based on the DMA mode used:

- Multiword DMA: one extra clock cycle
- Ultra DMA: two extra clock cycles

Therefore, a 0–31 value in the DMASPAS register is corresponding to 1–32 clock cycles of multiword DMA transfer assertion time or 2–33 clock cycles of ultra DMA transfer assertion time.

The TUSB6250 has a fixed one 60-MHz clock-cycle (16.67 ns) write data hold time for the ultra DMA write data transfer, which is part of the additional two extra clock cycle assertion time mentioned previously.

7	6	5	4	3	2	1	0
DIRSNDEN	RSV	RSV	DAST4	DAST3	DAST2	DAST1	DAST0
R/W	R/O	R/O	R/W	R/W	R/W	R/W	R/W

BIT	NAME	RESET	FUNCTION
4–0	DAST[4:0]	00000	DMA transfer speed (assertion time) in the unit of 60-MHz clock cycle.
6–5	RSV	00	Reserved
7	DIRSNDEN	0	Enables sending the DMA transfer direction bit to the ATAPI device. This bit, when set, allows the TUSB6250 ATA/ATAPI state machine to automatically send the DMA data transfer direction information to the ATAPI device during the DMA auto data transfer. This bit is only useful in the ATAPI (not ATA) DMA auto data transfer. This feature is disabled as a power-up default.

11.5.15 DMASPRC: DMA Transfer Speed (Recovery Time) Register (XDATA at F0DF)

The DMASPRC register contains the DMA (including multiword DMA and ultra DMA) transfer speed (recovery time) and write data hold time information. The DMASPRC register is cleared by a power up or a WDT reset. A USB reset cannot reset the DMASPRC register.

The unit of recovery time is defined as a single cycle of a 60-MHz clock (16.67 ns), which reflects the t_K parameter (for multiword DMA) or t_{RP} parameter (for ultra DMA) value in an actual ATA/ATAPI drive (see the ATA/ATAPI-5 specification, pages 294 and 300).

The TUSB6250 state machine automatically adds extra clock cycle(s) to the recovery time setup value based on the DMA mode used:

- Multiword DMA: two extra clock cycles
- Ultra DMA: one extra clock cycle

Therefore, a 0–31 value in the DMASPRC register corresponds to 2–33 clock cycles of multiword DMA transfer recovery time or 1–32 clock cycles of ultra DMA transfer recovery time.

The TUSB6250 has a fixed two 60-MHz clock cycle (33.34 ns) write data hold time for multiword DMA write data transfer, which is part of the additional two extra clock cycle recovery time mentioned above.

7	6	5	4	3	2	1	0
RSV	RSV	RSV	DRCVT4	DRCVT3	DRCVT2	DRCVT1	DRCVT0
R/O	R/O	R/O	R/W	R/W	R/W	R/W	R/W

BIT	NAME	RESET	FUNCTION
4–0	DRCVT[4:0]	00000	DMA transfer speed (recovery time) in the unit of 60-MHz clock cycle.
7–5	RSV	000	Reserved

11.5.16 Data Transfer Mode and Timing Reference Chart

The TUSB6250 firmware builds a default lookup table based on the correlation data between the data transfer modes and their corresponding timing given in Table 11–4 through Table 11–6. It should be noted that the assertion and recovery times given here do not reflect the actual performance of the TUSB6250 ATA/ATAPI data transfer engine. The intention of listing these times is to provide a set of timing values that complies with the ATA/ATAPI-5 specification requirement. End-product vendors can develop their custom firmware with different timing settings to be adapted to the actual performance of their drive. The timing below is based on the 60-MHz clock (using 16 ns as a typical clock-cycle period) that the ATA/ATAPI controller state machine is running.

Table 11–4. PIO Mode and Timing Correlation Chart

PIO TRANSFER MODE	CYCLE TIME (t_0)		ASSERTION TIME (t_2)				RECOVERY TIME (t_{21})			
	TIME (ns)		TIME (ns)		# OF CLKS (SEE NOTE 1)		TIME (ns)		# OF CLKS (SEE NOTE 1)	
	SPEC (MIN)	ACTUAL	SPEC (MIN)	ACTUAL	REGISTER SETTING	ACTUAL	SPEC (MIN)	ACTUAL	REGISTER SETTING	ACTUAL
0	600	600.12	290	300.06	17	18	N/A	300.06	16	18
1	383	383.41	290	300.06	17	18	N/A	83.35	3	5
2	330	333.4	290	300.06	17	18	N/A	33.34	0	2
3	180	183.37	80	83.35	4	5	70	100.02	4	6
4	120	133.36	70	83.35	4	5	25	50.01	1	3
Other	N/A	600.12	N/A	300.06	17	18	N/A	300.06	16	18

- NOTES:
1. All the actual timing listed is based on the 60-MHz clock cycle (16.67 ns) used in the TUSB6250.
 - The spec value listed is based on the ATA/ATAPI-5 specification.
 - The actual assertion time is obtained based on the consideration that both the register and data transfer timings must be met.
 - The actual recovery time is obtained with the consideration to meet both the cycle time and the recovery time value specified in the ATA/ATAPI-5 specification, after meeting the assertion time.
 - Because the TUSB6250 hardware always adds one extra clock cycle to the assertion time value and two extra clock cycles to the recovery time value, the TUSB6250 firmware must use one less than the desired number of clock cycles for any assertion time and two less for any recovery time programming value. For example, to achieve 300.06-ns assertion and recovery time for PIO mode 0, instead of using 18 clock cycles as the assertion and recovery time value, the TUSB6250 firmware must use only 17 clock cycles as assertion time and 16 clock cycles as the recovery time programming value.
 - According to the ATA/ATAPI-5 specification, the TUSB6250 firmware can issue an IDENTIFY DEVICE command to determine the supported modes of the mass storage device and then use the corresponding timing in this table during the data transfer.

Table 11–5. Multiword DMA Mode and Timing Correlation Chart

MWDMA TRANSFER MODE	CYCLE TIME (t_0)		ASSERTION TIME (t_D)				RECOVERY TIME (t_R)			
	TIME (ns)		TIME (ns)		# OF CLKS (SEE NOTE 1)		TIME (ns)		# OF CLKS (SEE NOTE 1)	
	SPEC (MIN)	ACTUAL	SPEC (MIN)	ACTUAL	REGISTER SETTING	ACTUAL	SPEC (MIN)	ACTUAL	REGISTER SETTING	ACTUAL
0	480	483.43	215	216.71	12	13	250	266.72	14	16
1	150	150.03	80	83.35	4	5	50	66.68	2	4
2	120	133.36	70	83.35	4	5	25	50.01	1	3
Other	N/A	483.43	N/A	216.71	12	13	N/A	266.72	14	16

NOTES: 1. All the actual timing listed is based on the 60-MHz clock cycle (16.67 ns) used in the TUSB6050.

- The spec value listed is based on the ATA/ATAPI-5 specification.
- The actual recovery time is obtained with the consideration to meet both the cycle time and recovery time value specified in the ATA/ATAPI-5 specification, after meeting the assertion time.
- Because the TUSB6250 hardware always adds one extra clock cycle to the assertion time value and two extra clock cycles to the recovery time value, the TUSB6250 firmware must use one less than the desired number of clock cycles for any assertion time and two less for any recovery time programming value. For example, to achieve 216.71-ns assertion and a 266.72-ns recovery time for MWDMA mode 0, instead of using 13 clock cycles as the assertion and 16 clock cycles as the recovery time value, the firmware must use only 12 clock cycles as assertion time and 14 clock cycles as the recovery time programming value.
- According to the ATA/ATAPI-5 specification, the TUSB6250 firmware can issue an IDENTIFY DEVICE command to determine the supported modes of the mass storage device and then use the corresponding timing in this table during the data transfer.

Table 11–6. Ultra DMA Mode and Timing Correlation Chart (Applies to UDMA Write Only)

UDMA TRANSFER MODE	CYCLE TIME		ASSERTION TIME (t_{CYC})				RECOVERY TIME (t_{RP})			
	TIME (ns)		TIME (ns)		# OF CLKS (SEE NOTE 1)		TIME (ns)		# OF CLKS (SEE NOTE 1)	
	SPEC (MIN)	ACTUAL	SPEC (MIN)	ACTUAL	REGISTER SETTING	ACTUAL	SPEC (MIN)	ACTUAL	REGISTER SETTING	ACTUAL (SEE NOTE 4)
0	224	233.38	112	116.69	5	7	160	166.7	9	10
1	146	166.7	73	83.35	3	5	125	133.36	7	8
2	108	133.36	54	66.68	2	4	100	100.02	5	6
3	78	100.02	39	50.01	1	3	100	100.02	5	6
4	50	66.68	25	33.34	0	2	100	100.02	5	6
Other	N/A	233.38	N/A	116.69	5	7	N/A	166.7	9	10

NOTES: 1. All the actual timing listed is based on the 60-MHz clock cycle (16.67 ns) used in the TUSB6050.

- The spec value listed is based on the ATA/ATAPI-5 specification.
- ATA/ATAPI-5 specification does not define cycle time for UDMA data transfer. The cycle time is used here for easy comparison with PIO and MWDMA mode, which equals twice the assertion time.
- The actual recovery time t_{RP} has an actual overhead of one to three clock cycles. What is listed in this table is the minimum value. It should be noted that the recovery time has no contribution to the cycle time in the UDMA data transfer, because it only affects the timing when pausing a UDMA data transfer.
- The firmware must use two less clock cycles than the desired number of clock cycles for the assertion time and one less clock cycles for the recovery time programming value.

11.6 ATA/ATAPI Group 2 Registers

Table 11–7. Group 2 Registers

MMR ADDRESS	OFFSET ADDRESS (BASE ADDRESS = F0C0)	REGISTER DESCRIPTION
F0E0	20h	MCU data Byte_0 register
F0E1	21h	MCU data Byte_1 register
F0E2	22h	MCU data Byte_2 register
F0E3	23h	MCU data Byte_3 register
F0E4	24h	MCU access address low-byte register
F0E5	25h	MCU access address high-byte register
F0E6	26h	ATA/ATAPI interrupt register 0
F0E7	27h	ATA/ATAPI interrupt mask register 0
F0E8	28h	ATA/ATAPI interrupt register 1
F0E9	29h	ATA/ATAPI interrupt mask register 1
F0EA	2Ah	ATA/ATAPI interface status register
F0EB	2Bh	Sector FIFO write pointer low-byte register
F0EC	2Ch	Sector FIFO write pointer high-byte register
F0ED	2Dh	Sector FIFO write pointer backup low-byte register
F0EE	2Eh	Sector FIFO write pointer backup high-byte register
F0EF	2Fh	Sector FIFO read pointer low-byte register
F0F0	30h	Sector FIFO read pointer high-byte register
F0F1	31h	Sector FIFO read pointer backup low-byte register
F0F2	32h	Sector FIFO read pointer backup high-byte register
F0F9	39h	Ultra receive extra word count

The MCU can access the sector FIFO memory indirectly by using the MCU access address low/high registers (MCUACSL and MCUACSH) and the MCU data registers (MCUBYTE[0:3]). The access address and direction must be set before the data access can occur. The write and read sequences are described in detail as follows.

MCU Write to Sector FIFO Memory:

1. The MCU writes to the MCU access address low-byte register (MCUACSL), then to the MCU access address high-byte register (MCUACSH) to set up the start address in MACS_ADR[12:0], and set MACS_DIR to 0.
2. The MCU writes to the MCU data Byte_0 register (MCUBYTE0), MCU data Byte_1 register (MCUBYTE1), MCU data Byte_2 register (MCUBYTE2), MCU data Byte_3 register (MCUBYTE3), in this fixed order. After the MCU finishes the write to the MCU data Byte_3 register (MCUBYTE3), the internal logic writes the complete 32-bit data into the sector FIFO location with the address pointed to by MACS_ADR[12:0] and sets MACS_BUSY to 1.
3. After the internal logic finishes the write of 32-bit data into sector FIFO, it clears MACS_BUSY to 0, and increments MACS_ADR[12:0] by 1.
4. The MCU continues steps 2 and 3 to write the next 32-bit data into sector FIFO for consecutive writes, until the MCU writes to the MCU access address register with a new address.

MCU Read to Sector FIFO Memory:

1. The MCU writes to the MCU access address low-byte register (MCUACSL) and then to the MCU access address high-byte register (MCUACSH) to set up the start address in MACS_ADR[12:0] and set MACS_DIR to 1.
2. After the MCU finishes the write to the MCU access address high-byte register (MCUACSH), the internal logic prefetches the 32-bit data from sector FIFO memory pointed to by MACS_ADR[12:0] and sets

MACS_BUSY to 1. When the internal logic reads from the sector FIFO memory, it loads the 32-bit data into the MCU data Byte_3 register (MCUBYTE3), MCU data Byte_2 register (MCUBYTE2), MCU data Byte_1 register (MCUBYTE1), MCU data Byte_0 register (MCUBYTE0), clears MACS_BUSY to 0, and increments MACS_ADR[12:0] by 1.

3. The MCU reads the MCU data Byte_0 register (MCUBYTE0), MCU data Byte_1 register (MCUBYTE1), MCU data Byte_2 register (MCUBYTE2), and the MCU data Byte_3 register (MCUBYTE3) in this fixed order.
4. After the MCU finishes the read from the MCU data Byte_3 register, the internal logic prefetches the next 32-bit data from sector FIFO pointed to by the current MACS_ADR[12:0]. The same sequence as described in Steps 2 and 3 is followed for consecutive reads until the MCU writes to the MCU access address register with a new address.
5. Noted that although the MCU is allowed to read part of the 32-bit read data, it must ensure that the last read goes to the MCU data Byte_3 register (MCUBYTE3). This serves as an indication to the TUSB6250 internal logic that the MCU has finished the read process to the current 32-bit read data and is ready to let the internal logic fetch the next 32-bit data. Without the read from the MCUBYTE3 register, the internal logic does not perform prefetch of the next 32-bit data.

11.6.1 MCUBYTE0: MCU Data Byte_0 Register (XDATA at F0E0)

7	6	5	4	3	2	1	0
MACS_DB07	MACS_DB06	MACS_DB05	MACS_DB04	MACS_DB03	MACS_DB02	MACS_DB01	MACS_DB00
R/W	R/W	R/W	R/W	R/W	R/W	R/W	R/W

BIT	NAME	RESET	FUNCTION
7-0	MACS_DB0[7:0]	00h	This register contains the sector FIFO memory data buffer byte 0 accessible by the MCU.

11.6.2 MCUBYTE1: MCU Data Byte_1 Register (XDATA at F0E1)

7	6	5	4	3	2	1	0
MACS_DB17	MACS_DB16	MACS_DB15	MACS_DB14	MACS_DB13	MACS_DB12	MACS_DB11	MACS_DB10
R/W	R/W	R/W	R/W	R/W	R/W	R/W	R/W

BIT	NAME	RESET	FUNCTION
7-0	MACS_DB1[7:0]	00h	This register contains the sector FIFO memory data buffer byte 1 accessible by the MCU.

11.6.3 MCUBYTE2: MCU Data Byte_2 Register (XDATA at F0E2)

7	6	5	4	3	2	1	0
MACS_DB27	MACS_DB26	MACS_DB25	MACS_DB24	MACS_DB23	MACS_DB22	MACS_DB21	MACS_DB20
R/W	R/W	R/W	R/W	R/W	R/W	R/W	R/W

BIT	NAME	RESET	FUNCTION
7-0	MACS_DB2[7:0]	00h	This register contains the sector FIFO memory data buffer byte 2 accessible by the MCU.

11.6.4 MCUBYTE3: MCU Data Byte_3 Register (XDATA at F0E3)

7	6	5	4	3	2	1	0
MACS_DB37	MACS_DB36	MACS_DB35	MACS_DB34	MACS_DB33	MACS_DB32	MACS_DB31	MACS_DB30
R/W	R/W	R/W	R/W	R/W	R/W	R/W	R/W

BIT	NAME	RESET	FUNCTION
7-0	MACS_DB3[7:0]	00h	This register contains the sector FIFO memory data buffer byte 3 accessible by the MCU.

11.6.5 MCUACSL: MCU Access Address Low-Byte Register (XDATA at F0E4)

7	6	5	4	3	2	1	0
MACS_ADR7	MACS_ADR6	MACS_ADR5	MACS_ADR4	MACS_ADR3	MACS_ADR2	MACS_ADR1	MACS_ADR0
R/W	R/W	R/W	R/W	R/W	R/W	R/W	R/W

BIT	NAME	RESET	FUNCTION
7-0	MACS_ADR[7:0]	00h	MCU access address[7:0]. These bits contain the MCU access sector FIFO memory address lower 8 bits.

11.6.6 MCUACSH: MCU Access Address High-Byte Register (XDATA at F0E5)

7	6	5	4	3	2	1	0
MACS_DIR	MACS_BUSY	RSV	MACS_ADR12	MACS_ADR11	MACS_ADR10	MACS_ADR9	MACS_ADR8
R/W	R/O	R/O	R/W	R/W	R/W	R/W	R/W

BIT	NAME	RESET	FUNCTION
4-0	MACS_ADR[12:8]	00000	MCU access address[12:8]. These bits contain the MCU access sector FIFO memory address higher 5 bits.
5	RSV	0	Reserved
6	MACS_BUSY	0	MCU access busy. Read-only. This bit, when set, indicates the internal logic is busy prefetching the next 32-bit read data or writing the 32-bit data to the sector FIFO memory from the MCU data byte 0-3 registers.
7	MACS_DIR	0	MCU access direction. <ul style="list-style-type: none"> If MACS_DIR = 0, MCU is going to write data to sector FIFO memory. If MACS_DIR = 1, MCU is going to read data from sector FIFO memory. When the MCU sets MACS_DIR to 1 by first writing to the MCU access address high-byte register, the internal logic prefetches the read data pointed by MACS_ADR[12:0], stores the read data in the MCU data byte 0-3 registers, and increments MACS_ADR[12:0] by 1.

11.6.7 ATPINTRPT0: ATA/ATAPI Interrupt Register 0 and ATPINTMSK0: ATA/ATAPI Interrupt Mask Register 0 (XDATA at F0E6, F0E7)

This register set includes the ATA/ATAPI interrupt register 0 (allocated at the MMR address 0xF0E6) and the ATA/ATAPI interrupt mask register 0 (allocated at the MMR address 0xF0E7).

The ATA/ATAPI interrupt register 0 provides the source information of the interrupt. The MCU can read this register to determine the source of a pending interrupt, if any. To clear a particular interrupt, the MCU must write a 1 to the corresponding bit to clear it to 0. There is another way to clear the USB_XFR_DN and ATP_XFR_DN interrupts, which is automatically cleared to 0 when the firmware sets the START_ATAPI bit in the ATPIFCNFG1 register to begin a data transfer.

7	6	5	4	3	2	1	0
ATP_COMP	ATP_ER	ATP_XFR_DN	USB_XFR_PEND	USB_XFR_DN	ATP_BYTECN_MIS	ATPINT1_PEND	ATP_INT
R/W	R/W	R/W	R/W	R/W	R/W	R/O	R/W

BIT	NAME	RESET	FUNCTION
0	ATP_INT	0	ATAPI interrupt. This bit indicates that an interrupt has occurred at the ATA/ATAPI interface. <ul style="list-style-type: none"> ATP_INT is set only during the manual phase of a sequence. During the automatic phase of a sequence, the hardware handles ATA INTRQ automatically without the MCU intervention.
1	ATPINT1_PEND	0	Interrupt pending in ATPINTRPT1. This bit, when set, indicates that in addition to the interrupt source indicated in this register (ATPINTRPT0), there is also some other interrupt source for the current pending ATA interrupt (vector value = 0x48) reflected in the vector interrupt register.

2	ATP_BYTECN_MIS	0	ATA/ATAPI byte-count mismatch. This bit, when set, indicates that there is a byte-count mismatch that occurred for the current data transfer at the ATA/ATAPI interface. The MCU is responsible for reading the ATA/ATAPI interface status register or transfer byte-count register to determine the actual event causing the mismatch.
3	USB_XFR_DN	0	USB transfer done. This bit, when set, indicates the data transfer is finished at the USB interface side, which does not mean the transfer ended free of error. The MCU is responsible for checking whether any byte-count mismatch occurred.
4	USB_XFR_PEND	0	USB transfer pending. This bit, when set, indicates the data transfer at the USB interface side is not finished and a byte-count mismatch or other error condition is pending. The MCU must check the other registers to determine the exact error that occurred. Before clearing this interrupt, the MCU must ensure the USBWPNABRTEN bit is set correctly, so that the state machine can either flush or send the data in the sector FIFO to the ATAPI device.
5	ATP_XFR_DN		ATA/ATAPI transfer done. This bit, when set, indicates the data transfer is finished at the ATA/ATAPI interface side, which does not mean the transfer ended free of error. The MCU is responsible for checking whether any byte-count mismatch occurred.
6	ATP_ER	0	ATA/ATAPI error. This bit, when set, indicates an error occurred during the ATA/ATAPI autocommand sequence. The MCU must read the Taks_File registers to determine the cause of the error.
7	ATP_COMP	0	ATA/ATAPI normal completion. This bit, when set, indicates the command execution is finished without any error. When ATP_COMP is set, the MCU must write a 1 to clear it back to 0.

- NOTES:
1. Most of the interrupt sources indicated in this register, except the ATP_INT bit, reflect the ATA interrupt with the vector interrupt value of 0x48.
 2. The interrupt sources indicated in the ATA interrupt are the most common. For other interrupt sources that happen less frequently, the ATPINT1_PEND bit provides an easy indication to the MCU whether any of them occurred for the current pending interrupt as indicated in the ATPINTRPT1 register.
 3. The ATA interrupt mask register 0 is the interrupt enable register that can be read and written by the MCU. To enable a particular interrupt, the MCU must write a 1 to the corresponding bit.

11.6.8 ATPINTRPT1: ATA/ATAPI Interrupt Register 1 and ATPINTMSK1: ATA/ATAPI Interrupt Mask Register 1 (XDATA at F0E8, F0E9)

This register set includes two registers: the ATA/ATAPI interrupt register 1 (allocated at MMR address 0xF0E8) and the ATA/ATAPI interrupt mask register 1 (allocated at MMR address 0xF0E9). See the notes in Section 11.6.7, *ATPINTRPT0: ATA/ATAPI Interrupt Register 0 and ATPINTMSK0: ATA/ATAPI Interrupt Mask Register 0 (XDATA at F0E6, F0E7)*, for the related information.

7	6	5	4	3	2	1	0
RSV	RSV	RSV	RSV	ATP_BSY	ATP_SEQ_ER	ATP_DSEQ_ER	ATP_NDA_CMD
R/O	R/O	R/O	R/O	R/W	R/W	R/W	R/W

BIT	NAME	RESET	FUNCTION
0	ATP_NDA_CMD	0	ATA nondata command mismatch. This bit, when set, indicates that: <ul style="list-style-type: none"> • A nondata command is specified in the ATA/ATAPI interface configuration register 1. • When the command is issued, the ATA/ATAPI device indicates the data transfer operation is currently active.
1	ATP_DSEQ_ER	0	ATAPI data sequence error. In the ATAPI mode, this bit indicates there is a sequence error that occurred during data transfer. The MCU must read the interrupt reason register and byte-count register (both in the storage device) to determine the cause of the error.
2	ATP_SEQ_ER	0	ATAPI sequence error. In the ATAPI mode with full autosequencing, this bit indicates that a sequence error has occurred after writing a packet command (command code A0h), but before the command packet bytes have been issued. The MCU must read the ATAPI interrupt reason register to determine the cause of the error.

3	ATP_BSY	0	ATA/ATAPI busy. This bit, when set, indicates the ATA/ATAPI device is busy at the start of the command (after writing START_ATAPI). The command is not executed in the autocommand mode. The MCU must read the Task_File registers to determine why the ATA/ATAPI device is busy.
7-4	RSV	0h	Reserved

11.6.9 ATPSTATUS: ATA/ATAPI Interface Status Register (XDATA at F0EA)

The ATPSTATUS register provides some status information on the ATA/ATAPI interface. Bit 0 indicates the ATA/ATAPI device overrun condition. Bits 3–1 mirror the real-time logic level on the DMARQ, $\overline{\text{DMACK}}$, and INTRQ pins.

7	6	5	4	3	2	1	0
RSV	ULTRARCV_EX	SYNBUF_RCVERR	BUFOVFLOW	INTRQ	DMACK	DMARQ	ATP_OVRUN
R/O	R/O	R/O	R/O	R/O	R/O	R/O	R/C

BIT	NAME	RESET	FUNCTION
0	ATP_OVRUN	0	ATA/ATAPI device overrun. This bit, when set, indicates that the ATA/ATAPI device attempts to process more data than the USB host expected (<i>dCBWDataTransferLength</i> in the USB mass storage bulk-only spec). This bit reflects the H < D cases defined by the <i>Universal Serial Bus Mass Storage Class Bulk-Only Transport</i> specification. <ul style="list-style-type: none"> It should be noted that when ATP_OVRUN occurs, the ATP_BYTECN_MIS interrupt is triggered. However, the transfer byte-count register may have a zero value to indicate the TUSB6250 moved H number of bytes, as expected by the USB host. In the PIO auto-data transfer mode, INTRQ may be set when a device-overrun condition occurs. If reading the ATAPI status register returns DRQ=1, the ATP_OVRUN bit is set to reflect the condition that the device attempts to process more data than expected. In the DMA/UDMA auto-data transfer mode (UDMA read), when a device-overrun condition occurs, the TUSB6250 pauses and tries to stop the current UDMA-read transfer. The ATP_OVRUN bit is not set if INTRQ is asserted thereafter. It is set only when INTRQ is not asserted; however DMARQ is asserted again. This bit can be cleared by either writing a 1 to this bit or setting the START_ATAPI bit in the ATAIFCNFG1 register.
1	DMARQ	0	DMARQ status bit. This bit mirrors the real-time status on the DMARQ pin.
2	DMACK	0	DMACK status bit. This bit mirrors the real-time status on the $\overline{\text{DMACK}}$ pin.
3	INTRQ	0	INTRQ status bit. This bit mirrors the real-time status on the INTRQ pin.

BIT	NAME	RESET	FUNCTION
4	BUFOVFLOW	0	<p>Internal buffer overflow error.</p> <p>The internal buffer refers to the 6-byte internal buffer space outside of sector FIFO designed to handle extra data that may be received from the ATA/ATAPI device in pausing a UDMA read operation.</p> <p>This bit, when set, indicates that the 6-byte internal data buffer experienced overflow (more than 6 bytes of data are transferred into this 6-byte internal buffer space after either sector FIFO full or expected transfer byte count is reached for current auto-data transfer).</p> <p>This bit can be used in all nonmanual data transfer modes, which include both read and write data transfers. It may be useful in UDMA-read data transfer as error indication. For PIO or multiword DMA data transfer, BUFOVFLOW should not happen, unless a hardware logic error occurred. In such case, this bit is useful for debugging.</p> <p>For a read transfer, the BUFOVFLOW could happen when the following cases occur:</p> <ul style="list-style-type: none"> The sector FIFO is full, however the expected byte count has not been reached yet. <p>For a write transfer, the BUFOVFLOW can only happen in a hardware logic error condition:</p> <ul style="list-style-type: none"> The TUSB6250 is sending the data normally to the ATA/ATAPI device; however, a device error causes it to pause and terminate the current data transfer. This bit is set if a hardware logic error occurs, such that the TUSB6250 ATA/ATAPI state machine doesn't respond to the ATA/ATAPI device's pause and termination request. This bit is useful to debug this rare case. <p>The MCU can set either the SOFT_RST bit or the START_ATAPI bit in the ATA/ATAPI interface configuration register to 1 to clear the BUFOVFLOW bit.</p>
5	SYNBUF_RCVERR	0	<p>Ultra DMA receive synch-buffer error (for UDMA-read-only)</p> <p>This bit, when set, indicates that the synch buffer for the ultra DMA receive operation has an overrun error. This error may occur when the ATA/ATAPI device bursts data at a transfer rate faster than 120 MBps.</p> <p>The MCU can set either the SOFT_RST bit or the START_ATAPI bit in the ATA/ATAPI interface configuration register 1 to clear the SYNBUF_RCVERR bit.</p>
6	ULTRA_RCVEX	0	<p>Ultra DMA receive extra (for UDMA-read-only).</p> <p>This bit, when set, indicates several extra bytes of data were received after the TUSB6250 received the expected number of bytes from the ATA/ATAPI device. These extra bytes are received at the time period between the TUSB6250 pausing and terminating a UDMA read transfer. The exact word (2-byte) count for this data is stored in the ULRCVEXCNT register.</p> <p>It should be noted that the extra number of bytes received are discarded right away, because the TUSB6250 already received the expected number of bytes. However, the TUSB6250 continues to calculate CRC for all the extra data received until the TUSB6250 terminates the UDMA read transfer. The ATA/ATAPI device, which sent more data than expected, but stopped sending data after the TUSB6250 terminates the UDMA read transfer, does not receive any CRC error from the TUSB6250.</p>
7	RSV	0	Reserved

11.6.10 SECWRPTL: Sector FIFO Write Pointer Low-Byte Register (XDATA at F0EB)

7	6	5	4	3	2	1	0
WR_PTR7	WR_PTR6	WR_PTR5	WR_PTR4	WR_PTR3	WR_PTR2	WR_PTR1	WR_PTR0
R/O	R/O	R/O	R/O	R/O	R/O	R/O	R/O

BIT	NAME	RESET	FUNCTION
7-0	WR_PTR[7:0]	00h	This register contains the sector FIFO write pointer lower 8-bit value. Read-only

11.6.11 SECWRPTH: Sector FIFO Write Pointer High-Byte Register (XDATA at F0EC)

7	6	5	4	3	2	1	0
SEC_FIFO_EMPT	RSV	WR_PTR13	WR_PTR12	WR_PTR11	WR_PTR10	WR_PTR9	WR_PTR8
R/O	R/O	R/O	R/O	R/O	R/O	R/O	R/O

BIT	NAME	RESET	FUNCTION
5-0	WR_PTR[13:8]	000000	These bits contain the sector FIFO write pointer higher 6-bit value. Read-only WR_PTR[13:0] is used as the current write pointer to write data into sector FIFO. The write data is temporarily invisible to the read side until the data is confirmed. When the UBM writes the received data from the USB to the sector FIFO and CRC error occurs, the UBM aborts the written data, then WR_PTR_BK[13:0] is copied back into WR_PTR[13:0] to reset WR_PTR[13:0] back to the location before the write.
6	RSV	0	Reserved
7	SEC_FIFO_EMPT	0	Sector FIFO empty. Read-only This bit, when set, indicates the sector FIFO is empty. Before executing any command with data transfer, the MCU must ensure the SEC_FIFO_EMPT bit is set. If it is not set due to error from a previous command, the MCU must set the CLR_SECFIFO bit (bit 1 of the ATA/ATAPI access register 2) to completely empty the sector FIFO.

11.6.12 WRPTBKUPL: Sector FIFO Write Pointer Backup Low-Byte Register (XDATA at F0ED)

7	6	5	4	3	2	1	0
WR_PTR_BK7	WR_PTR_BK6	WR_PTR_BK5	WR_PTR_BK4	WR_PTR_BK3	WR_PTR_BK2	WR_PTR_BK1	WR_PTR_BK0
R/O	R/O	R/O	R/O	R/O	R/O	R/O	R/O

BIT	NAME	RESET	FUNCTION
7-0	WR_PTR_BK[7:0]	00h	This register contains the confirmed sector FIFO write pointer lower 8-bit value. Read-only

11.6.13 WRPTBKUPH: Sector FIFO Write Pointer Backup High-Byte Register (XDATA at F0EE)

7	6	5	4	3	2	1	0
RSV	RSV	WR_PTR_BK13	WR_PTR_BK12	WR_PTR_BK11	WR_PTR_BK10	WR_PTR_BK9	WR_PTR_BK8
R/O	R/O	R/O	R/O	R/O	R/O	R/O	R/O

BIT	NAME	RESET	FUNCTION
5-0	WR_PTR_BK[13:8]	000000	These bits contain the confirmed sector FIFO write pointer higher 6-bit value. Read-only. When the write data is confirmed, WR_PTR[13:0] is copied into WR_PTR_BK[13:0]. The read side of the sector FIFO can only read the data up to the location pointed to by WR_PTR_BK[13:0].
7-6	RSV	00	Reserved

11.6.14 SECRDPTL: Sector FIFO Read Pointer Low-Byte Register (XDATA at F0EF)

7	6	5	4	3	2	1	0
RD_PTR7	RD_PTR6	RD_PTR5	RD_PTR4	RD_PTR3	RD_PTR2	RD_PTR1	RD_PTR0
R/O	R/O	R/O	R/O	R/O	R/O	R/O	R/O

BIT	NAME	RESET	FUNCTION
7-0	RD_PTR[7:0]	00h	This register contains the sector FIFO write pointer lower 8-bit value. Read-only

11.6.15 SECRDPATH: Sector FIFO Read Pointer High-Byte Register (XDATA at F0F0)

7	6	5	4	3	2	1	0
RSV	RSV	RD_PTR13	RD_PTR12	RD_PTR11	RD_PTR10	RD_PTR9	RD_PTR8
R/O	R/O	R/O	R/O	R/O	R/O	R/O	R/O

BIT	NAME	RESET	FUNCTION
5-0	RD_PTR[13:8]	000000	<p>These bits contain the sector FIFO read pointer higher 6-bit value. Read-only</p> <p>The sector FIFO controller uses RD_PTR[13:0] as the current read pointer to read data out from sector FIFO.</p> <ul style="list-style-type: none"> When the UBM reads the data from the sector FIFO and transmits the data to USB, meanwhile there is an ACK timeout, the UBM rewinds the read pointer by copying RD_PTR_BK[13:0] back to RD_PTR[13:0]. If the ATA/ATAPI side reads the data from the sector FIFO, the read pointer cannot be rewound. After each read from the ATA side, RD_PTR[13:0] is incremented by 1 and the new value is copied into RD_PTR_BK[13:0].
7-6	RSV	00	Reserved

11.6.16 RDPTBKUPL: Sector FIFO Read Pointer Backup Low-Byte Register (XDATA at F0F1)

7	6	5	4	3	2	1	0
RD_PTR_BK7	RD_PTR_BK6	RD_PTR_BK5	RD_PTR_BK4	RD_PTR_BK3	RD_PTR_BK2	RD_PTR_BK1	RD_PTR_BK0
R/O	R/O	R/O	R/O	R/O	R/O	R/O	R/O

BIT	NAME	RESET	FUNCTION
7-0	RD_PTR_BK[7:0]	00h	This register contains the confirmed sector FIFO read pointer lower 8-bit value. Read-only

11.6.17 RDPTBKUPH: Sector FIFO Read Pointer Backup High-Byte Register (XDATA at F0F2)

7	6	5	4	3	2	1	0
RSV	RSV	RD_PTR_BK13	RD_PTR_BK12	RD_PTR_BK11	RD_PTR_BK10	RD_PTR_BK9	RD_PTR_BK8
R/O	R/O	R/O	R/O	R/O	R/O	R/O	R/O

BIT	NAME	RESET	FUNCTION
5-0	RD_PTR[13:8]	000000	<p>These bits contain the confirmed sector FIFO read pointer higher 6-bit value. Read-only.</p> <p>RD_PTR[13:0] allows the UBM to retransmit a data packet if an ACK timeout occurs.</p> <ul style="list-style-type: none"> When the UBM transmit packet gets ACKed, the sector FIFO controller copies the RD_PTR[13:0] to RD_PTR_BK[13:0]. When the UBM must retransmit the packet, the sector FIFO controller copies the RD_PTR_BK[13:0] back to RD_PTR[13:0] to reset the read pointer.
7-6	RSV	00	Reserved

11.6.18 ULRCVEXCNT: Ultra Receive Extra Word Count Register (XDATA at F0F9)

7	6	5	4	3	2	1	0
RSV	RSV	RSV	RSV	WORDCN3	WORDCN2	WORDCN1	WORDCN0
R/O	R/O	R/O	R/O	R/O	R/O	R/O	R/O

BIT	NAME	RESET	FUNCTION
3-0	WORDCN[3:0]	0h	<p>Ultra receive extra word count.</p> <p>The value in this register indicates the word count of the extra number of words received between the TUSB6250 pausing and terminating a UDMA read transfer after the expected byte count is received. Based on the ATA/ATAPI-5 specification, the ATA/ATAPI device may send 1, 2, or 3 words (up to 6 bytes) of data after the host pauses the UDMA read transfer.</p> <p>Although it should not happen, in case WORDCN[3:0] returns 0Fh (15 words) for read, it only means the TUSB6250 receives at least 15 words, because the counter stops counting after reaching 0Fh, which is maintained.</p> <p>The WORDCN[3:0] bits are cleared whenever the MCU sets START_ATAPI or SOFT_RST in the ATPIFCNFG1 register.</p>
7-4	RSV	0h	Reserved

12 Electrical Specifications

12.1 Absolute Maximum Ratings†

Supply voltage, V_{DD}	–0.5 V to 4 V
Input voltage, V_I , 3.3-V LVCMOS	–0.5 V to $V_{DD} + 0.5$ V
5-V failsafe TTL-compatible LVCMOS	–0.5 V to 6 V
Output voltage, V_O , 3.3-V LVCMOS	–0.5 V to $V_{DD} + 0.5$ V
5-V failsafe TTL-compatible LVCMOS	–0.5 V to 6 V
Input clamp current, I_{IK}	±20 mA
Output clamp current, I_{OK}	±20 mA
Storage temperature range, T_{stg}	–65°C to 150°C

† Stresses beyond those listed under “absolute maximum ratings” may cause permanent damage to the device. These are stress ratings only, and functional operation of the device at these or any other conditions beyond those indicated under “recommended operating conditions” is not implied. Exposure to absolute-maximum-rated conditions for extended periods may affect device reliability.

12.2 Recommended Operating Conditions

PARAMETER		MIN	TYP	MAX	UNIT
V_{DD}	Supply voltage†	3	3.3	3.6	V
V_I	Input voltage	LVCMOS	0	V_{DD}	V
		5-V failsafe TTL-compatible LVCMOS	0	5.5	
V_O	Output voltage‡	LVCMOS	0	V_{DD}	V
		5-V failsafe TTL-compatible LVCMOS	0	5.5	
V_{IH}	High-level input voltage	LVCMOS	0.7 V_{DD}		V
		5-V failsafe TTL-compatible LVCMOS	2		
V_{IL}	Low-level input voltage	LVCMOS	0	0.3 V_{DD}	V
		5-V failsafe TTL-compatible LVCMOS	0	0.8	
T_A	Operating temperature	0		70	°C
T_J	Virtual junction temperature§	Low-K board, $R_{\theta JA} = 87.41$ °C/W, $T_A = 70$ °C		93	°C
		High-K board, $R_{\theta JA} = 59.95$ °C/W, $T_A = 70$ °C		86	
t_r	3.3-V power supply voltage rise time (0 V to 2.5 V) for DV_{DD} and AV_{DD}	50	250	650	µs

† Applies to both digital core supply voltage DV_{DD} and integrated Phy's supply voltage AV_{DD} . Does not apply to any 1.8-V supply voltage that is provided through the internal voltage regulator.

‡ Although the 5-V failsafe TTL compatible LVCMOS output buffer can only drive up to V_{DD} , it can be pulled up to 5.5 V through the weak pullup resistor when its output buffer is turned off.

§ The junction temperature listed reflects simulation conditions. The customer is responsible for verifying the junction temperature. The $R_{\theta JA}$ value is measured at an airflow speed of zero ft/min.

12.3 Electrical Characteristics for the Controller Digital Core, $T_A = 25^\circ\text{C}$, $V_{DD} = 3.3\text{ V} \pm 5\%$, $V_{SS} = 0\text{ V}$ (unless otherwise noted)[†]

PARAMETER		TEST CONDITIONS	MIN	TYP	MAX	UNIT
V_{OH}	High-level output voltage	LVC MOS	$I_{OH} = -8\text{ mA}$	$0.8 V_{DD}$		V
		5-V failsafe TTL-compatible LVC MOS	$I_{OH} = -8\text{ mA}$	2.4		
V_{OL}	Low-level output voltage	LVC MOS open-drain	$I_{OL} = -4\text{ mA}$	$0.22 V_{DD}$		V
		LVC MOS		$0.22 V_{DD}$		
		5-V failsafe TTL-compatible LVC MOS	$I_{OL} = -8\text{ mA}$	0.5		V
V_{IT}	Input voltage	For \overline{VREGEN} pin	$V_I = V_{IH}$		$0.7 V_{DDA}$	V
V_{hys}	Hysteresis ($V_{IT+} - V_{IT-}$)	LVC MOS	$V_I = V_{IH}$	$0.22 V_{DD}$		V
		5-V failsafe TTL-compatible LVC MOS	$V_I = V_{IH}$	$0.22 V_{DD}$		
I_{IH}	High-level input current	LVC MOS	$V_I = V_I\text{ max}$		± 1	μA
		5-V failsafe TTL-compatible LVC MOS	$V_I = 5.5\text{ V}$, $V_{DD} = 3.3\text{ V}$		± 23	
I_{IL}	Low-level input current	LVC MOS	$V_I = V_I\text{ min}$		± 1	μA
		5-V failsafe TTL-compatible LVC MOS	$V_I = 0\text{ V}$, $V_{DD} = 3.3\text{ V}$		± 1	
I_{OZ}	Output leakage current (Hi-Z)		$V_I = V_{DD}$ or V_{SS}		± 20	μA

[†] Applies to all signal pins except DP, DM, R1, RPU, XTAL1, and XTAL2.

12.4 Controller Input Supply Current, $T_A = 25^\circ\text{C}$, $V_{CC} = 3.3\text{ V} \pm 5\%$, $V_{SS} = 0\text{ V}$ (unless otherwise noted)

PARAMETER	TEST CONDITIONS	MIN	TYP	MAX	UNIT
I_{DD}	Input supply current	Normal operation: USB high-speed, UDMA-4 write active		92	mA
		Normal operation: USB high-speed, PIO-4 write active		85	
		Normal operation: USB high-speed, ATA/ATAPI idle		78	
		Suspend state: controller in suspend with USB remote wakeup enabled. Current draw from the external 1.5-k Ω pullup resistor is not included.		221	μA

12.5 Timing for 5-V Failsafe TTL Compatible LVC MOS I/O Buffer Used in the TUSB6250 ATA/ATAPI Interface, $T_A = 25^\circ\text{C}$, $V_{DD} = 3.3\text{ V} \pm 5\%$, $V_{SS} = 0\text{ V}$ (unless otherwise noted)

PARAMETER	TEST CONDITIONS	MIN	TYP	MAX	UNIT	
t_r	Rise time (time between 10% and 90% swing of 3.3 V)	Load: $C_L = 5\text{ pF}$	1.33	2.76	3.09	ns
		Load: $C_L = 15\text{ pF}$	2.21	3.84	4.98	
t_f	Fall time (time between 90% and 10% swing of 3.3 V)	Load: $C_L = 5\text{ pF}$	1.21	2.22	2.83	ns
		Load: $C_L = 15\text{ pF}$	1.97	3.31	4.4	

12.6 Electrical Characteristics for the Integrated USB 2.0 Transceiver, $T_A = 25^\circ\text{C}$, $V_{DDA} = 3.3\text{ V} \pm 5\%$, $V_{SS} = 0\text{ V}$ (unless otherwise noted)[†]

PARAMETER		MIN	TYP	MAX	UNIT
INPUT LEVELS FOR FULL SPEED					
V_{ID}	High-speed differential input threshold	0.2			V
V_{CM}	Differential common mode range	0.8		2.5	V
INPUT LEVELS FOR HIGH SPEED					
$V_{(HSSQ)}$	High-speed squelch detection threshold (differential signal amplitude)	100		150	mV
V_{ID}	High-speed differential input threshold voltage	100			mV
OUTPUT LEVELS FOR FULL SPEED					
V_{OL}	Low-level output voltage	0		0.3	V
V_{OH}	High-level output voltage (driven)	2.8		3.6	V
$V_{O(SE0)}$	Output voltage on SE0	0.8			V
$V_{O(CRS)}$	Output signal crossover voltage	1.3		2	V
OUTPUT LEVELS FOR HIGH SPEED					
$V_{(HSOI)}$	High-speed idle level	-10		10	mV
$V_{(HSOH)}$	High-speed data signaling high	360		440	mV
$V_{(HSOL)}$	High-speed data signaling low	-10		10	mV
$V_{ID(CHIRPJ)}$	Chirp J level (differential voltage)	700		1100	mV
$V_{ID(CHIRPK)}$	Chirp K level (differential voltage)	-900		-500	mV
DRIVER CHARACTERISTICS (FULL SPEED)					
t_r	Full-speed rise time	4		20	ns
t_f	Full-speed fall time	4		20	ns
$t_{(RFM)}$	Full-speed rise/fall time matching	90%		110%	
DRIVER CHARACTERISTICS (HIGH SPEED)					
t_r	Rise time (10%–90%)	500			ps
t_f	Fall time (10%–90%)	500			ps
$r_{O(HSDRV)}$	Driver output resistance (serves as a high-speed termination)	40.5		49.5	Ω
$t_{(FRFM)}$	Differential rise and fall time matching	90%		111.11%	
CLOCK TIMING					
$f_{(HSDRAT)}$	High-speed data rate	479.76		480.24	Mb/s
SINGLE-ENDED RECEIVER					
V_{IT+}	Positive-going input threshold voltage			1.8	V
V_{IT-}	Negative-going input threshold voltage	1			V
V_{hys}	Hysteresis voltage	200		500	mV

[†] Characterization only. Limits approved by design.

13 Application Information

13.1 Crystal Selection and Reference Circuitry

The TUSB6250 is designed to use an external 24-MHz crystal connected between the XTAL1 and XTAL2 pins to provide the reference for an internal oscillator circuit. The oscillator, in turn, drives a PLL circuit that generates the various clocks required for transmission and resynchronization of data at the full-speed and high-speed data rates.

The following are some typical specifications for crystals that can be used in order to achieve the required frequency, accuracy, and stability.

- Frequency: 24 MHz
- Crystal mode of operation: fundamental
- Crystal circuit type: parallel resonant
- Frequency tolerance: ± 50 ppm (maximum: ± 100 ppm)
- Frequency stability: ± 50 ppm (maximum: ± 100 ppm)
- Aging (long term stability): ± 5 ppm per year
- Maximum equivalent series resistance (ESR): 50Ω (100Ω , if C_{L1} and $C_{L2} < 10$ pF).

The C_{L1} and C_{L2} are the load capacitors to be used for fundamental parallel resonant crystal circuitry. They should be of equal value for optimum symmetry. See the *Selection and Specification of Crystals for Texas Instruments USB 2.0 Devices* application note (SLLA122) for detailed information.

13.2 Reset Timing Reference

There are two requirements for the reset signal timing.

- The minimum reset pulse width is 100 μs at power up. This time is measured from the time the power ramps up to 90% of the nominal V_{DD} , until the reset signal is no longer active (reset is active as long as it is less than 1.2 V).
- The clock must be valid during the last 60 μs of the reset window. The clock is valid when the oscillation on the XTAL2 pin exceeds 1.2 Vp-p.

Figure 13–1 illustrates the relationship between the power, reset, and clock signals. Note that when using a 24-MHz crystal and the on-chip oscillator, the clock signal may take about 1 ms to ramp up, become valid, and stabilize after power up. Therefore, it is recommended to extend the reset window to 2 ms or more to ensure that there is at least a 60- μs overlap with a valid clock. Extending the reset longer than 2 ms is fine; however, this reduces the time available for the firmware to download the descriptor and application code from the external I²C EEPROM. This must be considered during development, because the USB 2.0 specification requires all bus-powered USB devices to finish the reset and start signaling connection to the upstream USB host or hubs within 100 ms after drawing power from VBUS. The reset signal is inactive when it goes above 1.8 V.

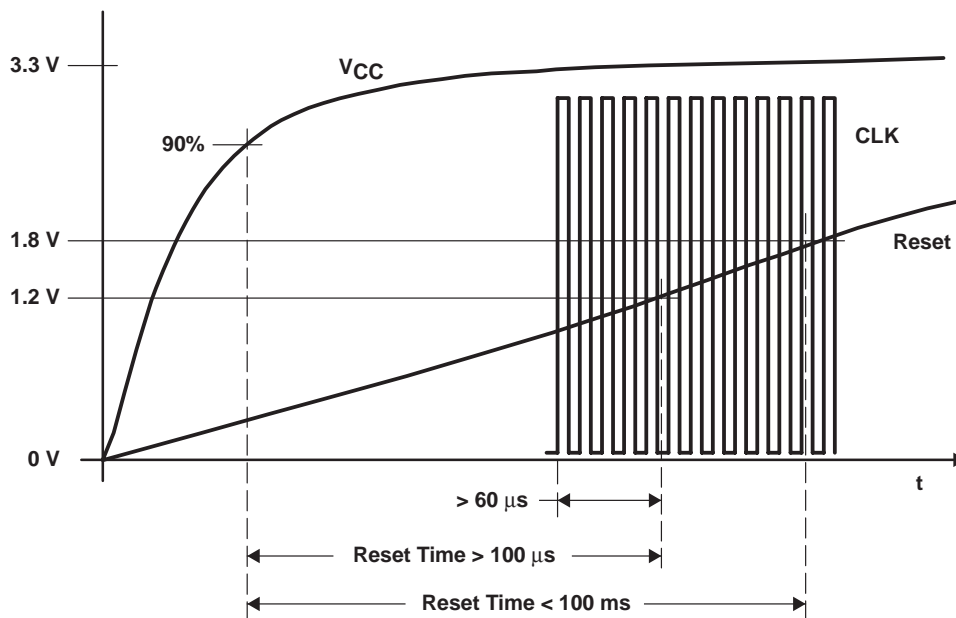


Figure 13–1. Controller Reference Reset Timing Diagram

13.3 Supply Voltage Ramp Time

The 3.3-V supply voltages (AVDD and DVDD) must ramp from 0 V to 2.5 V in 650 μs or less as noted in the recommended operating conditions. If the 3.3-V supply voltages ramp too slowly, the internal 1.8-V voltage regulators turn on before there is enough voltage to drive them to 1.8 V. This can cause the internal PLL circuitry powered by PLLVDD18 to become unstable. The PLL instability draws a lot of current which forces the voltage level of the PLLVDD18 power rail to remain at 1.4 V instead of 1.8 V thus keeping the PLL unstable. In the case that the AVDD and DVDD supply voltages are supplied separately in a design, it is the ramp time of the AVDD supply voltage that will impact the PLLVDD18 power rail. Please note that the recommend 3.3-V supply voltages (AVDD and DVDD) ramp time from 0 V to 2.5 V is typically met without any issue in TUSB6250 applications that are USB bus powered.

13.4 General ATA/ATAPI Device Application Information

13.4.1 ATA/ATAPI Connector Pin Diagram

Table 13–1 shows all the signals on the standard 40-pin ATA/ATAPI connector defined by the ATA/ATAPI-5 specification.

Table 13–1. ATA/ATAPI Connector Pin Summary

PIN	SIGNAL	PIN	SIGNAL
1	$\overline{\text{RESET}}$	2	GND
3	D7	4	D8
5	D6	6	D9
7	D5	8	D10
9	D4	10	D11
11	D3	12	D12
13	D2	14	D13
15	D1	16	D14
17	D0	18	D15
19	GND	20	Key
21	$\overline{\text{DMARQ}}$	22	GND
23	$\overline{\text{WR}}$	24	GND
25	$\overline{\text{RD}}$	26	GND
27	$\overline{\text{IORDY}}$	28	CSEL (see Note)
29	$\overline{\text{DMACK}}$	30	GND
31	$\overline{\text{INTRQ}}$	32	$\overline{\text{IOCS16}}$ (see Note)
33	A1	34	$\overline{\text{PDIAG}}$ (see Note)
35	A0	36	A2
37	$\overline{\text{CS0}}$	38	$\overline{\text{CS1}}$
39	$\overline{\text{DASP}}$ (see Note)	40	GND

NOTE: Shaded signals are not implemented in the TUSB6250 hardware.

13.4.2 Special Note About Shaded Signals

13.4.2.1 CSEL (Cable Select), Pin 28 on the ATA/ATAPI Connector

The CSEL signal is not connected to the TUSB6250. On the ATA/ATAPI host connector (the TUSB6250 side), the CSEL pin should be tied to ground.

According to the ATA/ATAPI-5 specification, Section 5.2.13, the CSEL signal is used by the ATA/ATAPI device to configure itself as either device 0 or device 1. The ATA/ATAPI device is required to have a 10-k Ω pullup resistor on the CSEL pin.

The state of the CSEL signal may be sampled at any time by the device. Based on the sampled value it detects, the device is configured as either device 0 or device 1, following the rules defined by the ATA/ATAPI specification.

- If CSEL is negated, the device number is 0;
- If CSEL is asserted, the device number is 1.

Regardless of which type of cable is used (40-conductor or 80-conductor), the conductor on device 0 is always connected to the host connector. Therefore, a GND on this conductor configures device 0 as the master. The conductor on device 1 is always left open (not connected) to the cable, this allows the 10-k Ω pullup resistor implemented on each device to configure itself as a slave.

13.4.2.2 $\overline{\text{IOCS16}}$, Pin 32 on the ATA/ATAPI Connector

The $\overline{\text{IOCS16}}$ signal is not connected to the TUSB6250. On the ATA/ATAPI host connector (the TUSB6250 side), the $\overline{\text{IOCS16}}$ pin should be left open.

The $\overline{\text{IOCS16}}$ signal was defined as $\overline{\text{IOCS16}}$ in ATA-2, ANSI X3.279-1996, and has been obsolete since ATA-3 was released. $\overline{\text{IOCS16}}$ is an output from the device to indicate whether the device expects an 8-bit or 16-bit data transfer.

Because most ATA/ATAPI devices support a 16-bit data transfer, there is no need to support the $\overline{\text{IOCS16}}$ pin function.

13.4.2.3 $\overline{\text{PDIAG:CBLID}}$ (Passed Diagnostics: Cable Assembly Type Identifier), Pin 34 on the ATA/ATAPI Connector

For the TUSB6250, the $\overline{\text{PDIAG:CBLID}}$ signal is not implemented in the hardware. However, developers can support its function by developing their own custom firmware with the $\overline{\text{PDIAG:CBLID}}$ signal mapped to port 3 [6]. Connection to the $\overline{\text{PDIAG:CBLID}}$ pin of the ATA/ATAPI host connector (the TUSB6250 side) should be wired accordingly. A jumper selectable capacitor of 0.047 μF can be added to the $\overline{\text{PDIAG:CBLID}}$ pin of the ATA/ATAPI connector.

For the ATA specification of ATA-4 and older, the $\overline{\text{PDIAG:CBLID}}$ signal is only defined as $\overline{\text{PDIAG}}$, which has the following characteristics:

- $\overline{\text{PDIAG}}$ is asserted by device 1 to indicate to device 0 that it has completed diagnostics.
- A 10-k Ω pullup resistor is used on the $\overline{\text{PDIAG}}$ signal by each device.
- The host should not connect to the $\overline{\text{PDIAG}}$ signal.

For the ATA specification of ATA-5 and beyond, a cable assembly type identifier (CBLID) function is added in addition to the $\overline{\text{PDIAG}}$ signal's original function.

- To ensure correct functionality, better signal integrity is desired for faster ultra-DMA modes. The optional 80-conductor cable assembly is specified for use with the original 40 connectors. Use of this cable assembly is mandatory for systems operating at ultra-DMA modes greater than 2.
- Hosts that do not support ultra-DMA modes greater than mode 2 must not connect to the $\overline{\text{PDIAG:CBLID}}$ pin.
- In a system using a cable, hosts shall determine that an 80-conductor cable is installed in a system before operating with transfer modes faster than ultra-DMA mode 2. Hosts must detect that $\overline{\text{CBLID}}$ is connected to ground to determine the cable type—see Annex B of the ATA/ATAPI-5 specification for a detailed explanation.

According to the ATA/ATAPI-5 specification, the host may sample $\overline{\text{CBLID}}$ after a power-up or hardware reset in order to detect the presence or absence of an 80-conductor cable assembly by performing the following steps:

1. The host waits until the power-on or hardware reset protocol is complete for all devices on the cable.
2. If device 1 is present, the host should issue an IDENTIFY DEVICE or IDENTIFY PACKET DEVICE command and use the returned data to determine that device 1 is compliant with ATA-3 or subsequent standards. Any device compliant with ATA-3 or subsequent standards releases $\overline{\text{PDIAG}}$ no later than after the first command following a power-up or hardware reset sequence.

13.4.2.4 $\overline{\text{DASP}}$ (Device Active, Device 1 Present), Pin 39 on the ATA/ATAPI Connector

The $\overline{\text{DASP}}$ is a time-multiplexed signal that indicates that a device is active or that device 1 is present. The ATA/ATAPI device is required to have a 10-k Ω pullup resistor on the $\overline{\text{DASP}}$ pin, because the pin has an open-drain driver.

For the TUSB6250, the $\overline{\text{DASP}}$ signal is not implemented in the hardware. However, developers can support its function by developing their own custom firmware with the $\overline{\text{DASP}}$ signal mapped to port 3[7]. Connection to the $\overline{\text{DASP}}$ pin of the ATA/ATAPI host connector (TUSB6250 side) should be wired accordingly. A selectable jumper can be added to the $\overline{\text{DASP}}$ pin connector to allow enable/disable usage of the the $\overline{\text{DASP}}$ pin.

13.4.3 Special Note About Pullup and Pulldown Resistors for ATA/ATAPI Signals

The TUSB6250 provides internal 200- μ A pullup and/or pulldown resistors to most ATA/ATAPI bus signals, which can be used during power-on sequencing or active modes to avoid bus floating. To ensure compliance with the ATA/ATAPI specification, it is recommended to implement pullup and pulldown resistors at the board level with the value defined by the ATA/ATAPI-5 specification:

IORDY	1-k Ω pullup resistor should be implemented on the ATA/ATAPI host connector (TUSB6250 side).
DMARQ	5.6-k Ω pulldown resistor should be implemented on ATA/ATAPI host connector (TUSB6250 side).
INTRQ	10-k Ω pulldown resistor should be implemented on the ATA/ATAPI host connector (TUSB6250 side).

13.4.4 Series Termination Resistors Required for Ultra DMA Operation

Series termination resistors are required at both the host and the device for operation in any of the ultra-DMA modes. See page 13 of the ATA/ATAPI-5 specification for detailed information.

13.5 CompactFlash™ Storage Card Reader Application

13.5.1 Brief Introduction

CompactFlash™ storage cards provide a flash-memory-technology-independent interface to access the flash cards. The CompactFlash storage cards include an on-card intelligent microcontroller subsystem that provides a high-level interface to the host computer with the following key features:

- Standard ATA register and command set (same as found on most magnetic disk drives)
- Host independence from details of erasing and programming flash memory
- 512-byte sector size of the CompactFlash storage card is the same as that in an IDE magnetic disk drive.

CompactFlash storage cards electrically comply with the PCMCIA ATA (PC card ATA) standard, which is a superset of the ATA protocol and based on the following standards:

- PC card standard, release 2.01 and
- ATA standard, release 3.1

CompactFlash storage cards are required to support all three types of interface protocols:

- PC card memory mode—The CompactFlash storage card operating in this mode follows PC card ATA protocol using PCMCIA memory mode.
- PC card I/O mode—The CompactFlash storage card operating in this mode follows PC card ATA protocol using PCMCIA I/O mode.
- True-IDE mode—The CompactFlash storage card operating in this mode follows IDE protocol and acts as an IDE disk. The CompactFlash storage card reader implemented based on the TUSB6250, only supports this mode.

13.5.1.1 Power Supply Requirements

The CompactFlash storage card is a dual-voltage product, which operates in either of the following voltage ranges:

- 3.3 V ±5%
- 5 V ±10% (±5% for industrial versions)

The CompactFlash storage card reader implemented with the TUSB6250 can support a single voltage of 3.3 V.

Table 13–2. CompactFlash™ Power Consumption (Reference Only)

POWER SOURCE FROM READER	OPERATING CONDITION	CompactFlash™ STORAGE CARD POWER CONSUMPTION (SLOW–FAST)
DC input voltage ($V_{CC} = 3.3\text{ V}$) 100 mV maximum ripple (p-p)	Sleep	200 μA
	Reading	32 mA–45 mA
	Writing	32 mA–60 mA
	Read/write peak	150 mA/50 μs

NOTE: These values are for reference purposes only.

NOTE: The CompactFlash storage card reader designer must pay attention to the USB bus power suspend current limit (500 μA). There is only 300- μA suspend current budget left on the reader when a CompactFlash storage card remains inserted and operates in a sleep state.

CompactFlash is a trademark of SanDisk Incorporated.

Table 13–3. CompactFlash™ Card System Performance (Reference Only)

PARAMETER	CONDITION	VALUE
Start-up times	Sleep to write	2.5 ms maximum
	Sleep to read	2 ms maximum
	Reset to ready	50 ms typical, 400 ms maximum
Active to sleep delay		Programmable
Data transfer rate	To/from host	16–20-MBps burst
Controller overhead	Command to DRQ	1.25 ms maximum

13.5.1.2 Capacity, Connector, Header, and Ejector

- There are two types of CompactFlash storage cards, which differ in card thickness and capacity. The type I card has a thickness of 3,3 mm \pm 0,1 mm. The type II card has a thickness of 5 mm and has a larger capacity of up to 300M bytes, so far.
- Regardless of which type of CompactFlash storage cards are used, they all use the standard 50-pin electrically compatible connector standard, however they differ in mechanical dimension.
- The CompactFlash storage card may be installed in any platform with:
 - A 50-position surface mount interface header (3M P/N N7E50-7516VY-20).
 - An ejector (3M P/N D7E50-7316-02) or equivalent.

13.5.2 Pin Assignment and Mapping

Table 13–4 shows the pin assignment and mapping for the TUSB6250 based CompactFlash storage card reader implemented in the true-IDE mode.

It should be noted that all the information described here, including the recommended pin assignment and mapping, along with the power-up sequence, is only meant for the single CompactFlash storage card reader implementation. This implies that the CompactFlash storage card reader is the only device on the IDE bus. If implementing the CompactFlash storage card reader in a dual-drive environment is desired, the CompactFlash storage card reader shares the same IDE bus with another device like the hard-disk drive, modification to the described recommendation is needed. Developers with such an interest can contact Texas Instruments for further information.

Table 13–4. TUSB6250 Based CompactFlash™ Storage Card Reader Pin Assignment and Mapping

CompactFlash™ CONNECTOR PIN	SIGNAL	PIN TYPE (CF CARD)	TUSB6250 PIN USED	CompactFlash™ CONNECTOR PIN	SIGNAL	PIN TYPE (CF CARD)	TUSB6250 PIN USED
1	GND			26	CD1	O	CD1, See Note 11
2	D03	I/O	DD3	27	D11	I/O	DD11
3	D04	I/O	DD4	28	D12	I/O	DD12
4	D05	I/O	DD5	29	D13	I/O	DD13
5	D06	I/O	DD6	30	D14	I/O	DD14
6	D07	I/O	DD7	31	D15	I/O	DD15
7	CS0	I	CS0	32	CS1	I	CS1
8	A10	I	None, See Note 2	33	VS1	O	None, See Note 5
9	ATA SEL	I	None, See Note 1	34	IORD	I	DIOR
10	A09	I	None, See Note 2	35	IOWR	I	DIOW
11	A08	I		36	WE	I	None, See Note 3
12	A07	I		37	INTRQ	O	INTRQ
13	VCC			38	VCC		
14	A06	I	None, See Note 2	39	CSEL	I	None, See Note 7
15	A05	I		40	VS2	O	None, See Note 6
16	A04	I		41	RESET	I	RST_ATA
17	A03	I		42	IORDY	O	IORDY
18	A02	I	DA2	43	INPACK	O	None, See Note 4
19	A01	I	DA1	44	REG	I	None, See Note 3
20	A00	I	DA0	45	DASP	I/O	P3.7, See Note 9
21	D00	I/O	DD0	46	PDIAG	I/O	P3.6, See Note 8
22	D01	I/O	DD1	47	D08	I/O	DD8
23	D02	I/O	DD2	48	D09	I/O	DD9
24	IOCS16	O	None, See Note 10	49	D10	I/O	DD10
25	CD2	O	CD2, See Note 11	50	GND		

- NOTES: 1. To enable the true-IDE mode, the ATA SEL pin should be grounded at the CompactFlash storage card reader side of the connector during the power-off to power-on cycle. In this mode:
- PCMCIA protocol and configuration are disabled and only I/O operations to the Task_File and data register are allowed.
 - No memory or attribute registers are accessible to the host.
 - CompactFlash memory cards permit 8-bit data accesses only if the user issues a set feature command to put the device in 8-bit mode.
2. These pins should be grounded at the CompactFlash storage card reader side of the connector.
3. These pins should be tied to VCC at the CompactFlash storage card reader side of the connector.
4. In the true-IDE mode, the INPACK pin is not used and should be left open at the CompactFlash storage card reader side of the connector.
5. The voltage sense signal, VS1, is grounded so that the CompactFlash storage card CIS can be read at 3.3 V.
6. The voltage sense signal, VS2, is left open and reserved by PCMCIA for a secondary voltage. For the TUSB6250-based CompactFlash storage card reader, only one supply voltage (3.3 V) is supported.
7. CSEL is used to configure the device as a IDE master or slave. To configure the CompactFlash storage card as the IDE master, the CSEL pin should be grounded at the CompactFlash storage card reader side of the connector; otherwise, to configure it as the IDE slave, the CSEL pin should be left open at the CompactFlash storage card reader side of the connector. See Section 13.4.2.1, CSEL (Cable Select), Pin 28 on the ATA/ATAPI Connector, for a detailed explanation.
8. PDIAG is driven by the device as the pass diagnostic signal in the master/slave handshake protocol. It is also used as the cable assembly type identifier. The device must have a 10-kΩ pullup resistor on this signal. Although the TUSB6250 hardware does not support this signal, end-product developers can choose to support the desired function in custom firmware. The TUSB6250 can issue identify device or identify packet device commands to identify both device-0 and device-1 capabilities and assign proper transfer mode. See Section 13.4.2.3, PDIAG:CBLID (Passed Diagnostics: Cable Assembly Type Identifier), Pin 34 on the ATA/ATAPI Connector, for a detailed explanation.
9. DASP is driven by the device as the device active or device-1 present signal in the master/slave handshake protocol. The device should have a 10-kΩ pullup resistor on the DASP pin. Although the TUSB6250 hardware does not support the DASP signal, end-product developers can choose to support the desired function with custom firmware. See Section 13.4.2.4, DASP (Device Active, Device 1 Present), Pin 39 on the ATA/ATAPI Connector, for a detailed explanation.

10. Because the CompactFlash storage card permits 8-bit data transfer only if a user issues a *set feature* command to put the device in the 8-bit mode, there is no need to support it as long as the host driver prohibits such command. The $\overline{\text{IOCS16}}$ pin at the CompactFlash storage card reader side of the connector should be left open. See Section 13.4.2.2, *$\overline{\text{IOCS16}}$, Pin 32 on the ATA/ATAPI Connector*, for a detailed explanation.
11. The $\overline{\text{CD1}}$ and $\overline{\text{CD2}}$ pins are card-detect pins that connect to ground on the CompactFlash storage card. They are used by the host to determine that the CompactFlash storage card is fully inserted into its socket. A valid insertion is evaluated when both $\overline{\text{CD1}}$ and $\overline{\text{CD2}}$ are detected as GND by the host.

13.5.3 Power-Up Sequence

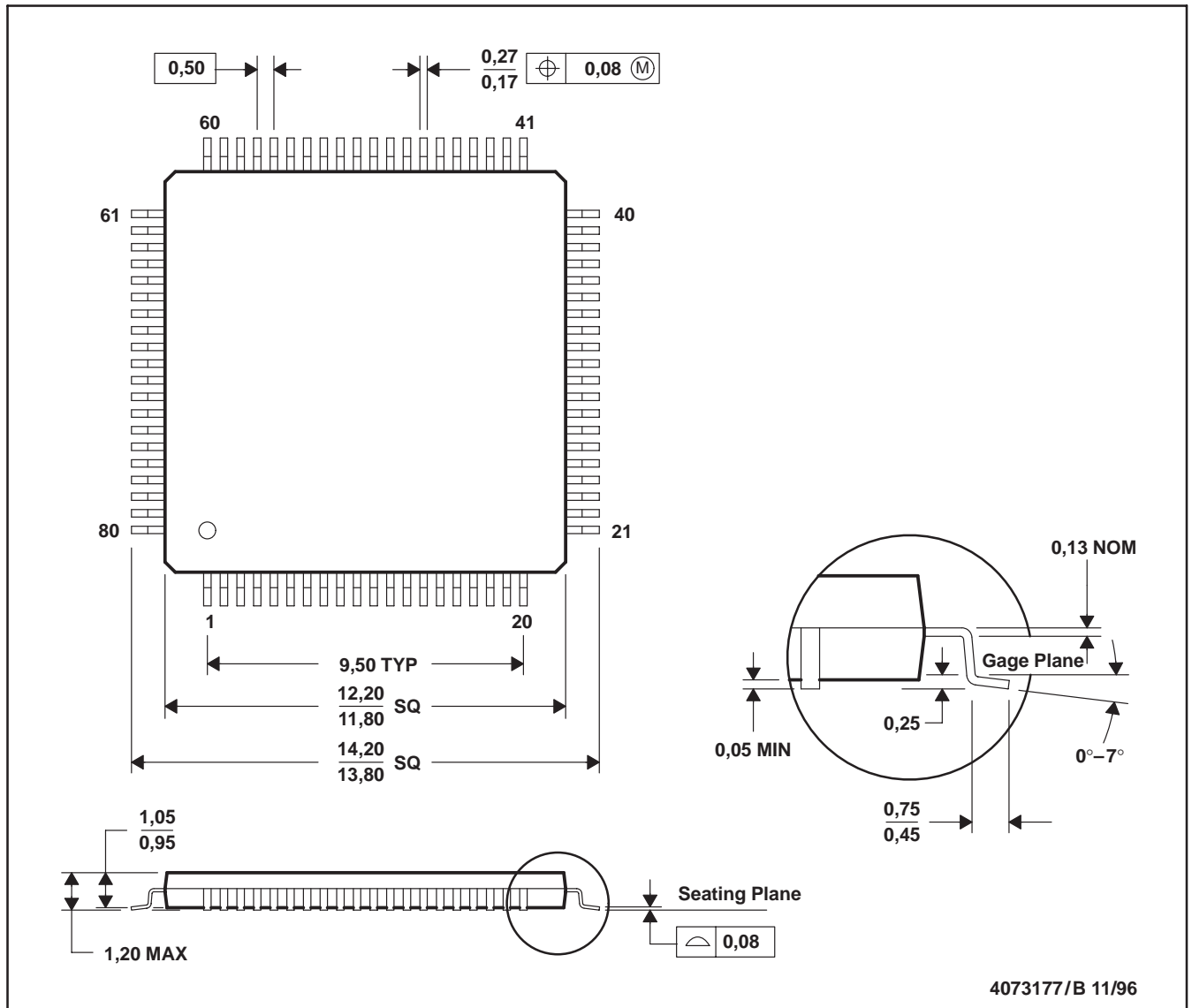
Because the CompactFlash storage card powers up into PC card ATA modes (not true-IDE modes), to configure the CompactFlash storage card into the true-IDE mode, the 50-pin CompactFlash socket must be power cycled with the CompactFlash storage card inserted and the $\overline{\text{ATASEL}}$ pin asserted. This also must be accomplished when removing and reinserting the CompactFlash storage card when the CompactFlash storage card reader power is on.

To achieve this required power-up sequence, the recommended approaches for the end-product custom firmware to implement a CompactFlash storage card reader based on the TUSB6250 are described as follows.

- The firmware can use the P2.0 pin as the power-up control signal to turn on/off the power to the CompactFlash storage card. To ensure enough drive strength, the developer should use active-low as the logic level to turn on the reader.
- After a power-up reset to the TUSB6250, the firmware can toggle the P2.0 pin to turn on the power to the CompactFlash storage reader socket.
- Once $\overline{\text{CD1}}$ and $\overline{\text{CD2}}$ are both asserted (this means there is a CompactFlash storage card inserted), the firmware must shut down the power to the CompactFlash storage card for a duration of about one second. Thereafter, the firmware must turn the power back on. This sequence ensures the $\overline{\text{ATASEL}}$ signal is latched during the power cycle, such that the true-IDE mode is enabled for the CompactFlash storage card.

PFC (S-PQFP-G80)

PLASTIC QUAD FLATPACK



- NOTES: A. All linear dimensions are in millimeters.
 B. This drawing is subject to change without notice.
 C. Falls within JEDEC MS-026

IMPORTANT NOTICE

Texas Instruments Incorporated and its subsidiaries (TI) reserve the right to make corrections, modifications, enhancements, improvements, and other changes to its products and services at any time and to discontinue any product or service without notice. Customers should obtain the latest relevant information before placing orders and should verify that such information is current and complete. All products are sold subject to TI's terms and conditions of sale supplied at the time of order acknowledgment.

TI warrants performance of its hardware products to the specifications applicable at the time of sale in accordance with TI's standard warranty. Testing and other quality control techniques are used to the extent TI deems necessary to support this warranty. Except where mandated by government requirements, testing of all parameters of each product is not necessarily performed.

TI assumes no liability for applications assistance or customer product design. Customers are responsible for their products and applications using TI components. To minimize the risks associated with customer products and applications, customers should provide adequate design and operating safeguards.

TI does not warrant or represent that any license, either express or implied, is granted under any TI patent right, copyright, mask work right, or other TI intellectual property right relating to any combination, machine, or process in which TI products or services are used. Information published by TI regarding third-party products or services does not constitute a license from TI to use such products or services or a warranty or endorsement thereof. Use of such information may require a license from a third party under the patents or other intellectual property of the third party, or a license from TI under the patents or other intellectual property of TI.

Reproduction of TI information in TI data books or data sheets is permissible only if reproduction is without alteration and is accompanied by all associated warranties, conditions, limitations, and notices. Reproduction of this information with alteration is an unfair and deceptive business practice. TI is not responsible or liable for such altered documentation. Information of third parties may be subject to additional restrictions.

Resale of TI products or services with statements different from or beyond the parameters stated by TI for that product or service voids all express and any implied warranties for the associated TI product or service and is an unfair and deceptive business practice. TI is not responsible or liable for any such statements.

TI products are not authorized for use in safety-critical applications (such as life support) where a failure of the TI product would reasonably be expected to cause severe personal injury or death, unless officers of the parties have executed an agreement specifically governing such use. Buyers represent that they have all necessary expertise in the safety and regulatory ramifications of their applications, and acknowledge and agree that they are solely responsible for all legal, regulatory and safety-related requirements concerning their products and any use of TI products in such safety-critical applications, notwithstanding any applications-related information or support that may be provided by TI. Further, Buyers must fully indemnify TI and its representatives against any damages arising out of the use of TI products in such safety-critical applications.

TI products are neither designed nor intended for use in military/aerospace applications or environments unless the TI products are specifically designated by TI as military-grade or "enhanced plastic." Only products designated by TI as military-grade meet military specifications. Buyers acknowledge and agree that any such use of TI products which TI has not designated as military-grade is solely at the Buyer's risk, and that they are solely responsible for compliance with all legal and regulatory requirements in connection with such use.

TI products are neither designed nor intended for use in automotive applications or environments unless the specific TI products are designated by TI as compliant with ISO/TS 16949 requirements. Buyers acknowledge and agree that, if they use any non-designated products in automotive applications, TI will not be responsible for any failure to meet such requirements.

Following are URLs where you can obtain information on other Texas Instruments products and application solutions:

Products

Amplifiers	amplifier.ti.com
Data Converters	dataconverter.ti.com
DSP	dsp.ti.com
Clocks and Timers	www.ti.com/clocks
Interface	interface.ti.com
Logic	logic.ti.com
Power Mgmt	power.ti.com
Microcontrollers	microcontroller.ti.com
RFID	www.ti-rfid.com
RF/IF and ZigBee® Solutions	www.ti.com/lprf

Applications

Audio	www.ti.com/audio
Automotive	www.ti.com/automotive
Broadband	www.ti.com/broadband
Digital Control	www.ti.com/digitalcontrol
Medical	www.ti.com/medical
Military	www.ti.com/military
Optical Networking	www.ti.com/opticalnetwork
Security	www.ti.com/security
Telephony	www.ti.com/telephony
Video & Imaging	www.ti.com/video
Wireless	www.ti.com/wireless

Mailing Address: Texas Instruments, Post Office Box 655303, Dallas, Texas 75265
Copyright © 2008, Texas Instruments Incorporated