

U2: TL072CP
 U3: HEF4070BP
 U4: MC14016BCP
 U5: MC14584BCP
 U6: MC14013BCP
 U7: MC14011BCP
 U8: TL072CP
 U9: H11F3
 U10: MC14011BCP
 U11: TL072CP
 U12: TL061CP

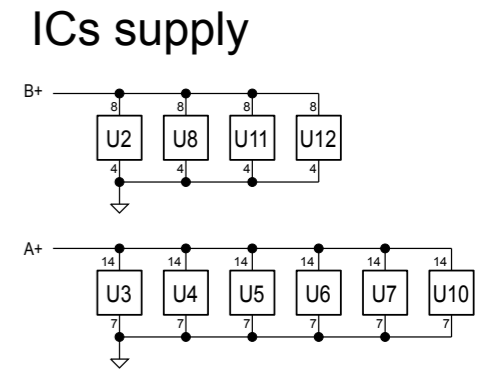
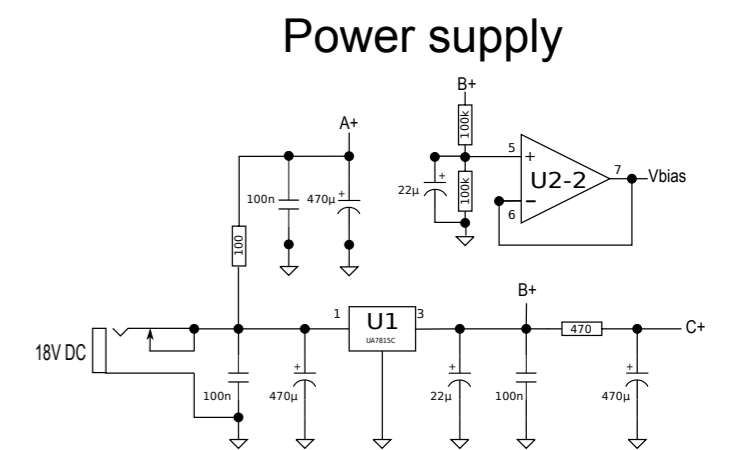
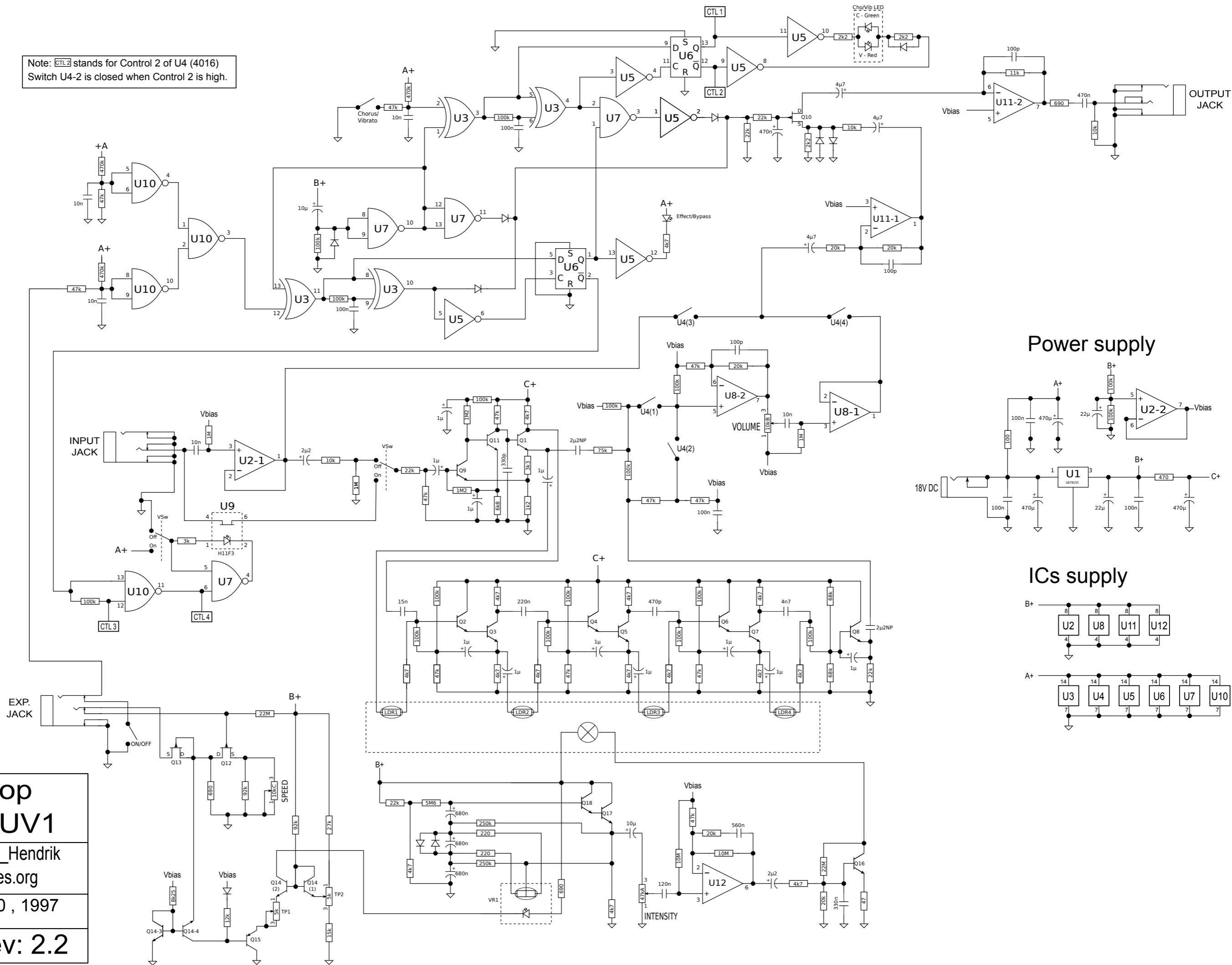
VR1: NSL39S52

All diodes : 1N4148

Q1 - Q9 : ZTX109C
 Q10: J176
 Q11: ZTX109C
 Q12 - Q13: J174
 Q14: MPQ3904 (quad)
 Q15: 2N3906
 Q16: ZTX692B
 Q17-Q18: ZTX109C

TP1 - TP2: Piher PT10C

Note: CTL2 stands for Control 2 of U4 (4016)
 Switch U4-2 is closed when Control 2 is high.



Jim Dunlop
Uni-Vibe - UV1
 Drawn by lolbou & Dirk_Hendrik
 www.freestompboxes.org
 PCB: Rev A. July, 10, 1997
Rev: 2.2