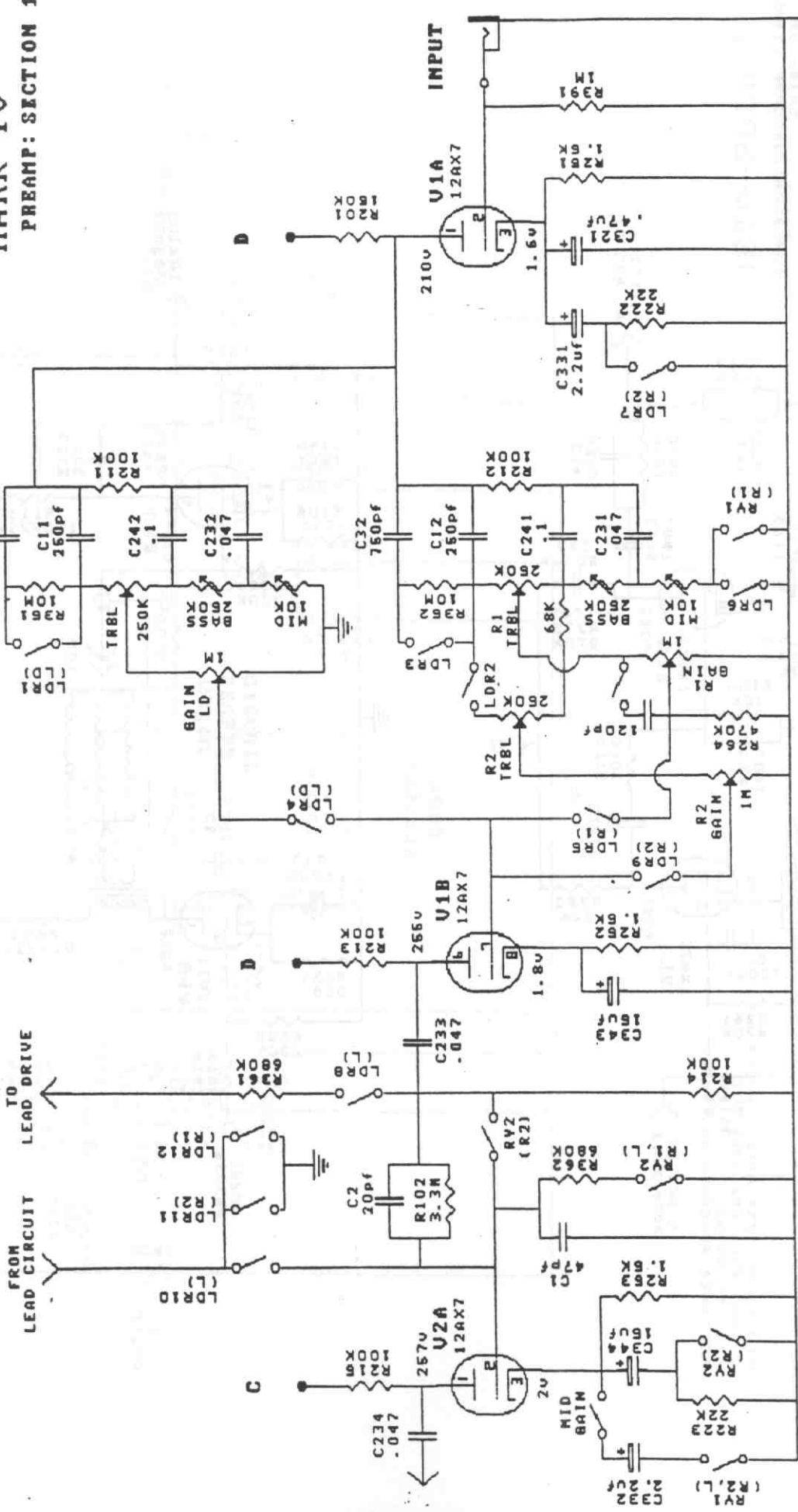


MESA-B0061E MARK IV

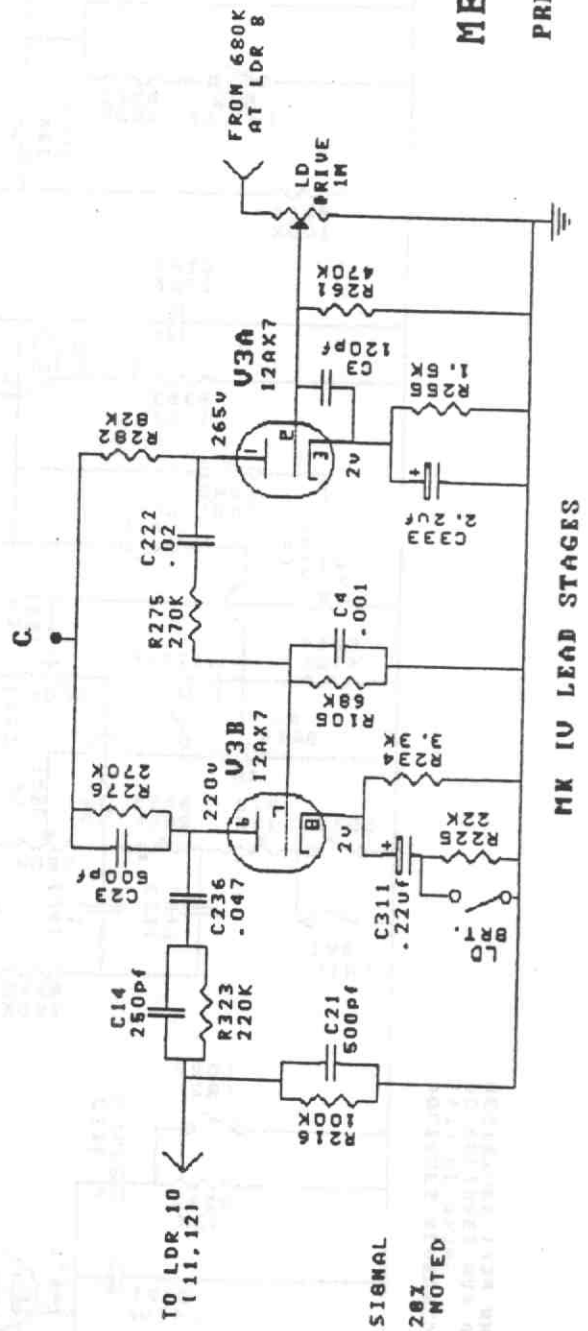
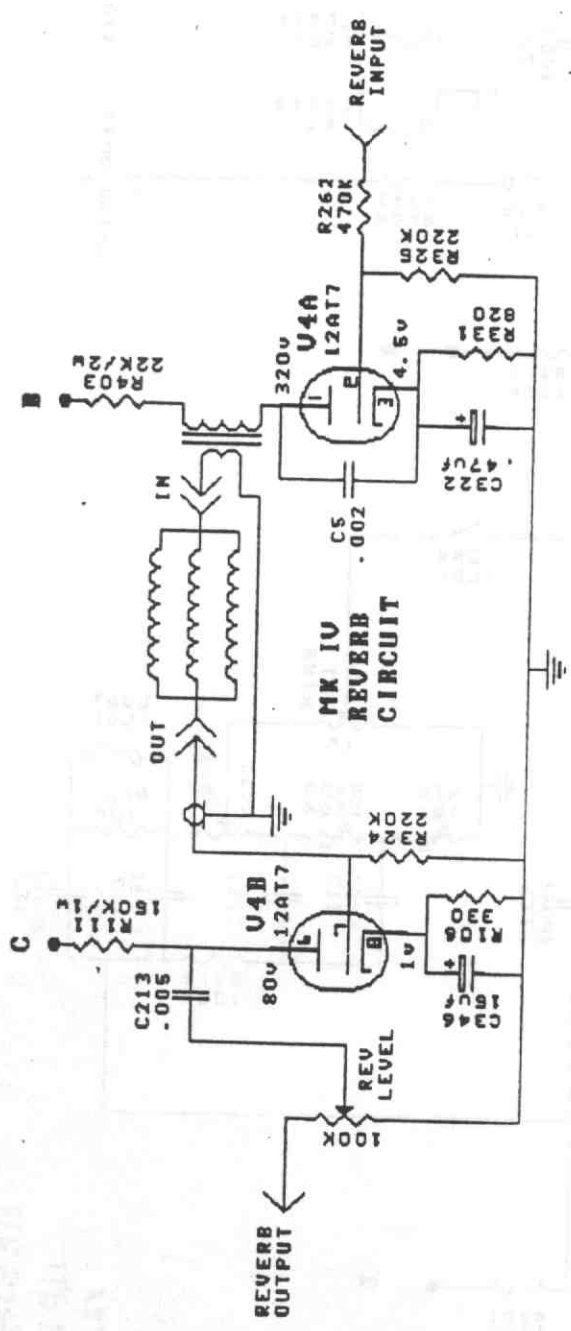
PREAMP: SECTION 1



VOLTAGES MEASURED NO SIGNAL
117V AC MAINS
DC VOLTAGES MAY VARY 20%
RESISTORS 1/2W UNLESS NOTED

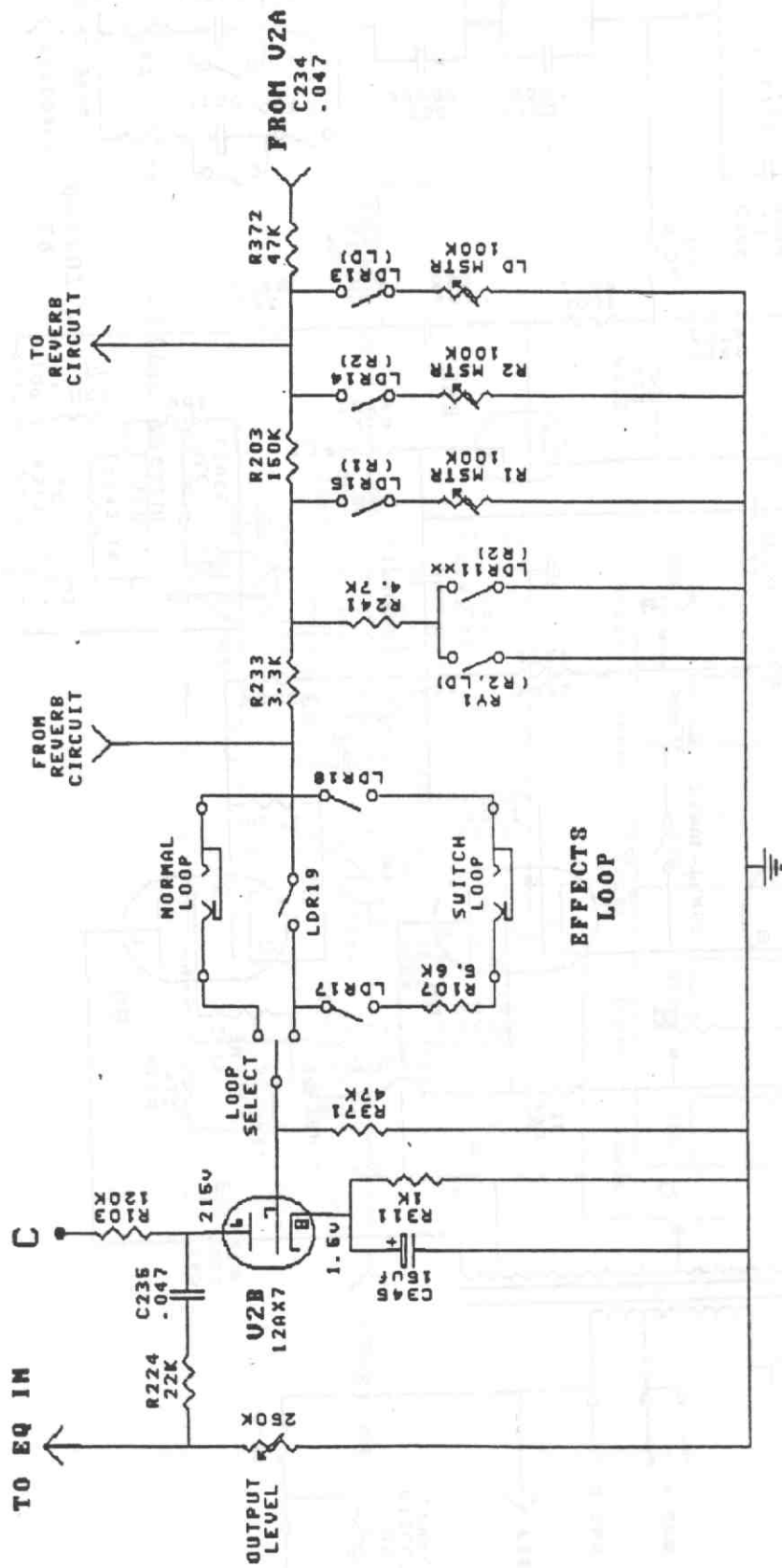
MESA-B0061E
PREAMP: SECTION 1

**MESA-BOOGIE
MARK IV
PREAMP: SECTION 2**



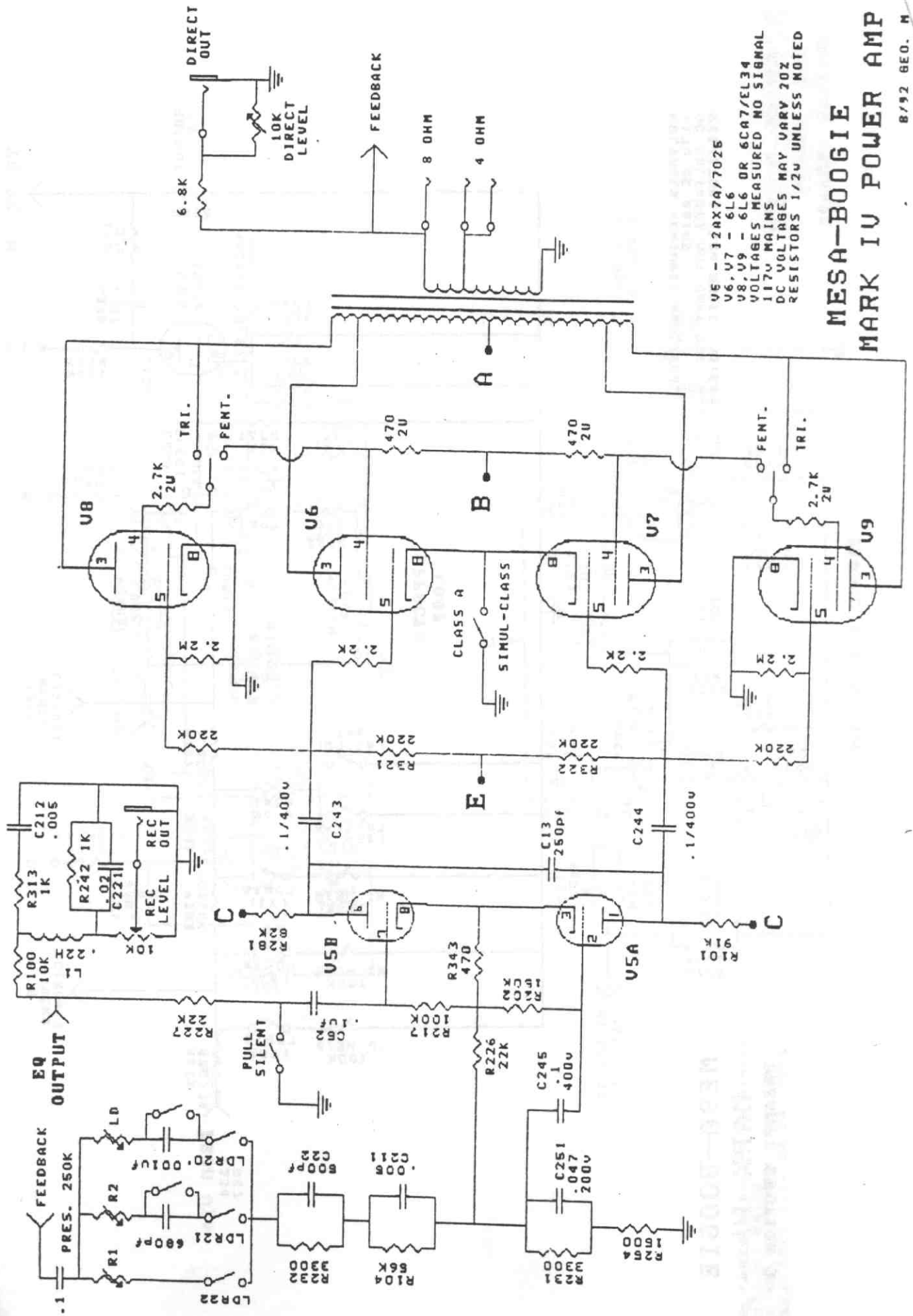
VOLTAGES MEASURED NO SIGNAL
1.7V AC MAINS
DC VOLTAGES MAY VARY 20%
RESISTORS 1/2W UNLESS NOTED

MK IV LEAD STAGES



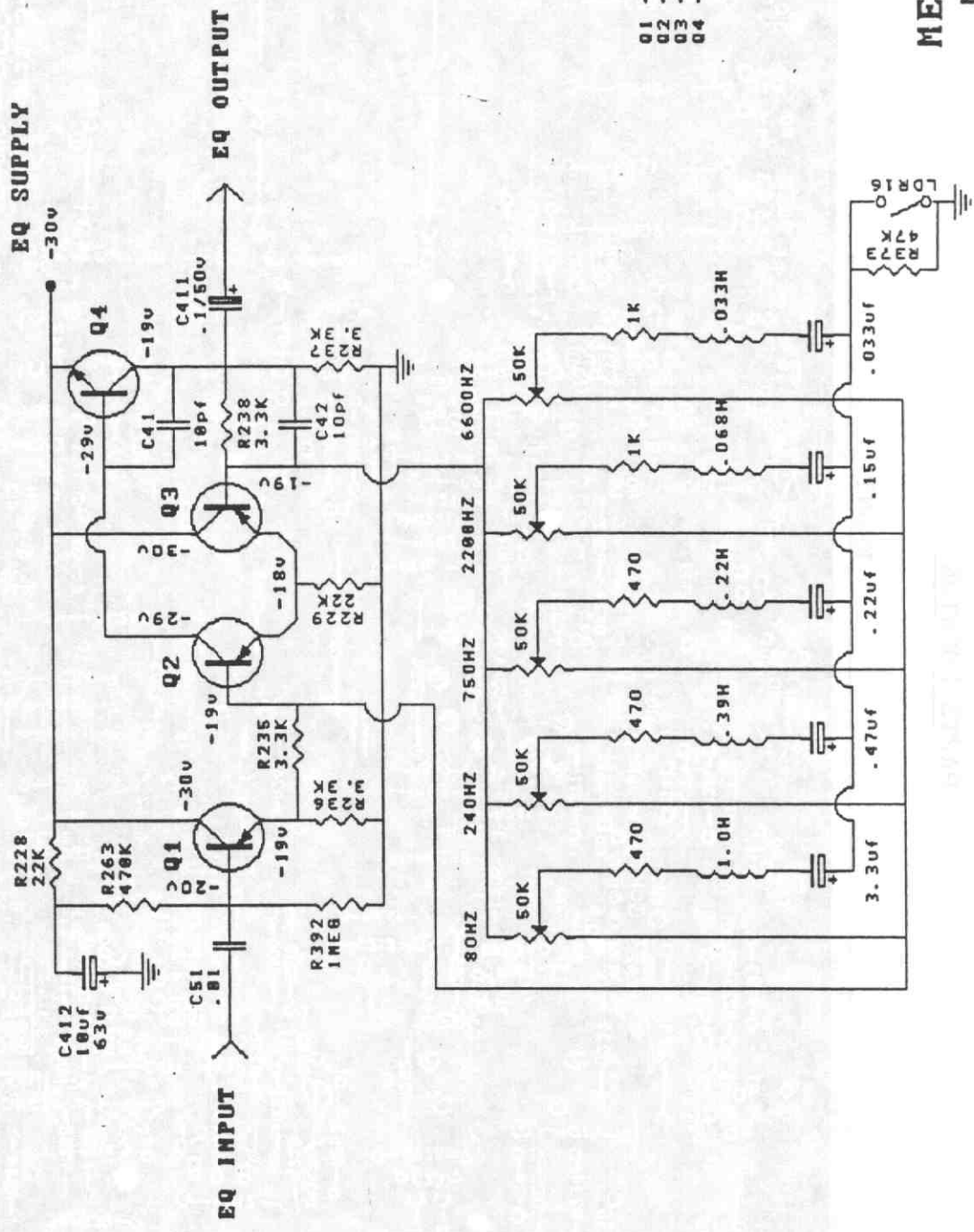
MESA-BOOGIE
 MARK IV
 PREAMP: SECTION 3

VOLTAGES MEASURED NO SIGNAL
 117V AC MAINS
 DC VOLTAGES MAY VARY 20%
 RESISTORS 1/2W UNLESS NOTED



U6 - 12AX7A/7026
 U6, U7 - 6L6
 U8, U9 - 6L6 OR 6CA7/EL34
 VOLTAGES MEASURED NO SIGNAL
 117V MAINS
 DC VOLTAGES MAY VARY 20%
 RESISTORS 1/2W UNLESS NOTED

MESA-BOOGIE MARK IV POWER AMP



- Q1 - MPSA63
- Q2 - MPSA70
- Q3 - MPSA70
- Q4 - MPSA20-5

**MESA-BOOGIE
MARK IV
GRAPHIC EQ**

EOMK4.501
10-92 GEO. N.

EVERETT ELECTRONICS