

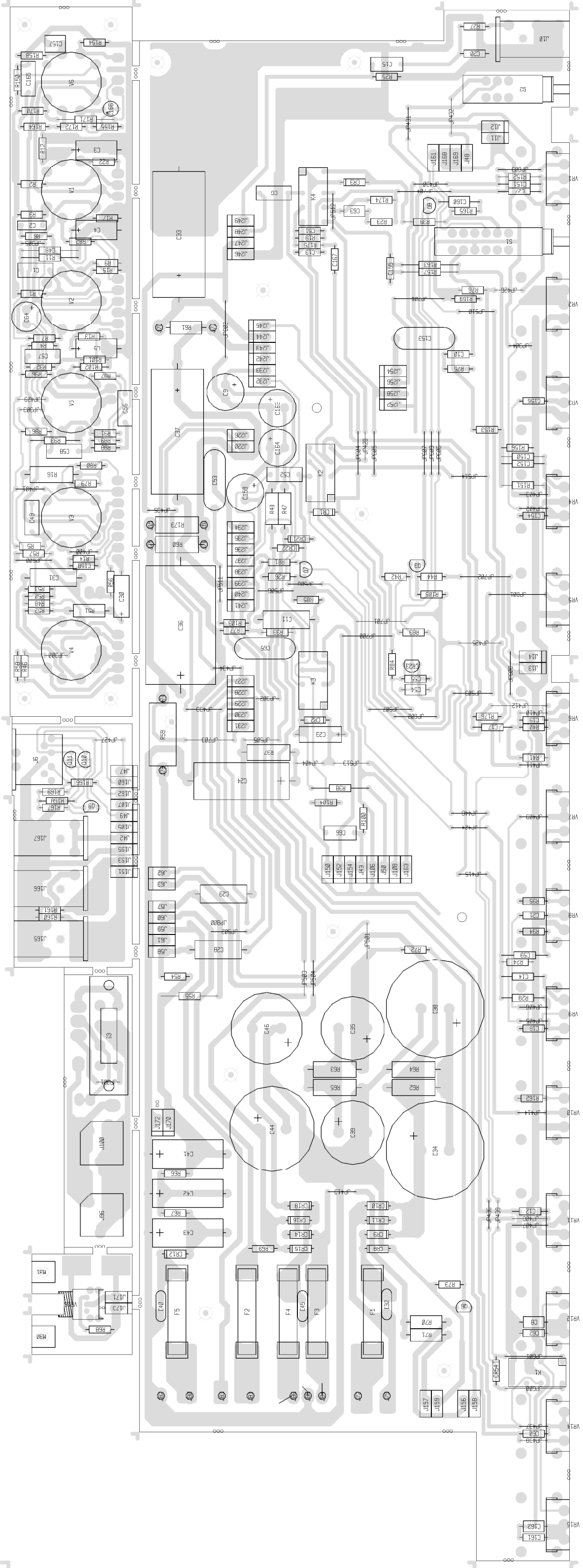
LAST REVISED: R176 C167 CR54 J173 V6 Q11 VR16

REV	1
SIZE	NUMBER
DATE	FEB-16-2001
PRINT	1
DESIGNER	PEAVEY ELECTRONICS CORP.
DRAWN	711 A STREET
CHECKED	Meriden, MISSISSIPPI 39201
TITLE	VH 515011 PREAMP
PROJECT	C#988 0540/99010540

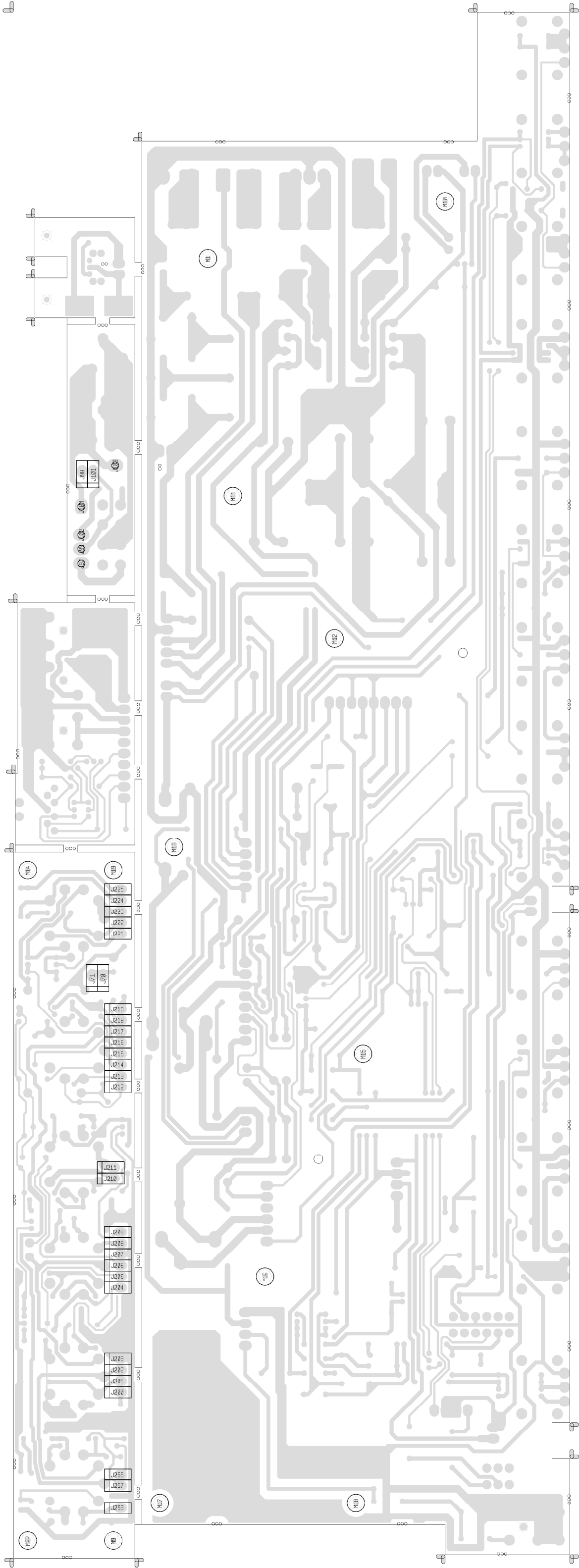
NOTICE: THIS CIRCUITRY IS PROTECTED BY U.S. PATENT NOS. 5,197,102 OWNED BY PEAVEY ELECTRONICS CORP. USE OR COPYING WITHOUT EXPRESS WRITTEN AUTHORITY FROM PEAVEY IS STRICTLY FORBIDDEN AND WILL BE PROSECUTED TO THE FULLEST EXTENT ALLOWED UNDER U.S. PATENT LAWS.

COPYRIGHT 2001 PEAVEY ELECTRONICS CORP. PRINTED IN U.S.A.

REV	1
SIZE	NUMBER
DATE	FEB-16-2001
PRINT	1
DESIGNER	PEAVEY ELECTRONICS CORP.
DRAWN	711 A STREET
CHECKED	Meriden, MISSISSIPPI 39201
TITLE	VH 515011 PREAMP
PROJECT	C#988 0540/99010540



5150-2 PREAMP PRIMARY SIDE



5150-2 PREAMP SECONDARY SIDE

BILL OF MATERIALS REPORT

BOARD NAME: 5150_2 REPORT DATE: 25JAN01
 ASSEMBLY LEVEL NUMBER: 99010540 PROJECT NUMBER: P9700041
 CBDS
 PART DESCRIPTION AND
 *** QTY NAME VALUE NUMBER DEVICE DESIGNATIONS *****

1	98810540	PVR	PCB		
2	.001	.001	70340000	.01MF-----10%-----50VDC-----MON----T&R	
			C19, C48		
1	.001R630	.001R630	70320160	.001MFD 630VDC B-BOX	
			C2		
1	.0022	.0022	70340004	0022MF---10%-----50VDC---T/C---T&R	
			C13		
1	.0033	.0033	70340006	0033MF---10%-----50VDC---T/C---T&R	
			C10		
1	.0047	.0047	70340007	0047MF---10%-----50VDC---MON----T&R	
			C158		
3	.0068	.0068	70340008	0068MF---10%-----50VDC---MON----T&R	
			C12, C27, C60		
1	.01	.01	70340011	.01MF-----10%-----50VDC---T/C---T&R	
			C59		
3	.01CD	.01CD	70320248	.01MF-----20%---1000VDC---CD--T&A	
			C32, C40, C45		
4	.022	.022	70340012	.022MF---10%-----50VDC---MON----T&R	
			C18, C21, C154, C156		
8	.022R400	.022R400	70320106	.022 MFD 400V RADIAL MYLAR	
			C1, C6, C49, C52, C56, C57, C58, C165		
4	.033	.033	70340014	.033MF---10%-----50VDC---MON----T&R	
			C55, C62, C155, C161		
4	.047A400	.047A400	70320105	.047MFD 450 VOLT T&R CAP	
			C11, C28, C29, C31		
1	.068	.068	70340018	.068MF---10%-----50VDC---MON----T&R	
			C63		
4	.1P10	.1P10	70340101	.1MF-----10%-----50VDC---MON----T&R	
			C8, C54, C160, C162		
2	.1R250MY	.1R250MY	70320096	.1 MFD 250VDC MYLAR CA/BR	
			C15, C66		
3	.33R400	.33R400	70320107	.33MF-----10%-----400VDC---MYLAR--R/W	
			C53, C65, C153		
1	.33SF2	.33SF2	70330146	.33MF 5% 100VDC SF T&A	
			C157		
1	1.5K	1.5K	70240018	1.5K--1/4W--5%-----CF--T&R	
			R42		
2	1.5KW1	1.5KW1	70210007	1.5K--1W-----5%-----MO--T&R	
			R70, R71		
3	1.82KP1	1.82KP1	70241078	1.82K-1/4W--1%-----CF--T&R	
			R12, R13, R17		

1	1000A35	1000A35	70320038	1000 MFD 35VDC LYTIC CAP	
			C24		
4	1000R35	1000R35	70320186	1000MF-----20%-----35VDC--EL--T&A	
			C9, C159, C163, C164		
7	100K	100K	70240034	100K--1/4W--5%-----CF--T&R	
			R33, R48, R58, R101, R103, R104, R171		
3	100KP1	100KP1	70240151	100K--1/4W--1%-----MF--T&R	
			R1, R3, R86		
1	100KW1	100KW1	70210017	100K--1W-----5%-----MO--T&R	
			R16		
1	100PF	100PF	70340054	100PF-----10%-----50VDC---T/C---T&R	
			C150		
2	100V350	100V350	70320130	100 MFD 350VDC RADIAL SNAP-IN	
			C35, C39		
3	10A150	10A150	70320016	10 MFD 150VDC LYTIC - AXIAL LEAD	
			C41, C42, C43		
1	10ASB	10ASB	70900599	10 AMP S/B FUSE WITH 2 FUSECLIPS #70900816	
			F2		
6	10K	10K	70240025	10K--1/4W--5%-----CF--T&R	
			R27, R156, R166, R167, R168, R169		
2	10KAVB	71190528	71190528	10K 20% AUD MIN VPC W/BRACKET	
			VR12, VR15		
2	10KW1	10KW1	70210018	10K--1W-----5%-----MO--T&R	
			R51, R61		
4	125SOWD	70900788	70900788	SPACER, 1/8,R(#4),187 SWAGE ALUM.	
			M9, M14, M19, M22		
6	12AX7	12AX7	70806612	12AX7 VACUUM TUBE W/9 PIN PC MNT SOCKET	
			V1, V2, V3, V4, V5, V6		
1	12K	12K	70240057	12K--1/4W--5%-----CF--T&R	
			R68		
3	12VRELAY	71322277	71322277	DPDT OMRON RELAY 12VDC	
			K1, K2, K3		
1	18K	18K	70240028	18K--1/4W--5%-----CF--T&R	
			R153		
3	1A50NP	1A50NP	70320138	1MFD 10% 50V N/P EL T&R	
			C3, C4, C5		
3	1AFB	1AFB	70900085	AGC 1 AMP FUSE with 2 fuseclips #70900816	
			F3, F4, F5		
3	1K	1K	70240017	1K--1/4W--5%-----CF--T&R	
			R67, R80, R165		
20	1M	1M	70240039	1M--1/4W--5%-----CF--T&R	
			R9, R25, R26, R32, R40, R41, R50, R53, R72, R79, R84, R87, R88, R91, R100, R159, R160, R161, R162, R176		
2	1MAVB	71190516	71190516	1 MEG AUD MIN VPC 20% W/BRKT	
			VR5, VR10		

6	1MAVBP5	71190522	71190522	1 MEG AUD MIN VPC 5% TAPER W/BRKT	
			VR1, VR2, VR6, VR7, VR11, VR14		
5	1N4003	1N4003	70464003	1N4003 200V SILICON DIODE	
			CR12, CR14, CR15, CR16, CR18		
4	1N4007	1N4007	70464007	1N4007 1KV, 1A, SILICON DIODE	
			CR8, CR9, CR10, CR11		
6	1N4148	4148	70464148	1N4148 75V 10MA SILICON DIODE	
			CR1, CR2, CR3, CR21, CR22, CR54		
4	2.2K	2.2K	70240020	2.2K--1/4W--5%-----CF--T&R	
			R93, R102, R155, R158		
1	2.2M	2.2M	70240040	2.2M--1/4W--5%-----CF--T&R	
			R81		
1	2.2R50	2.2R50	70320180	2.2MF-----20%-----50VDC---EL--T&A	
			C166		
1	2.7K	2.7K	70240021	2.7K--1/4W--5%-----CF--T&R	
			R66		
1	210KP1	210KP1	70240137	210K 1% 1/4W MF T&R	
			R2		
1	2200R35	2200V35	70320113	2200 MFD 35VDC RADIAL LYTIC	
			C46		
9	220K	220K	70240036	220K--1/4W--5%-----CF--T&R	
			R4, R7, R54, R55, R85, R96, R150, R170, R172		
4	220KW1	220KW1	70210008	220K--1W-----5%-----MO--T&R	
			R62, R63, R64, R65		
1	220R50	220R50	70320187	220MF-----20%-----50VDC---EL--T&A	
			C64		
2	22A25	22A25	70320012	22MFD +/-20% 25VDC EL AXL	
			C23, C30		
2	22A450	22A450	70320020	22 MFD 450VDC LYTIC CAP	
			C33, C37		
3	22K	22K	70240029	22K--1/4W--5%-----CF--T&R	
			R44, R75, R174		
2	22KW1	22KW1	70210005	22K--1W-----5%-----MO--T&R	
			R60, R173		
2	250KVBV	71190515	71190515	250K LIN MIN VPC W/BRACKET	
			VR4, VR9		
1	25KAVB	71190559	71190559	25KA MIN VPC W/BRACKET	
			VR3		
1	2AFB	2AFB	70900133	AGC 2 AMP FUSE	
			F1		
1	2N3919	3919	70463919	SKA-3919 TO92 NPN TRANS T&A	
			Q6		
1	3.3K	3.3K	70240022	3.3K--1/4W--5%-----CF--T&R	
			R14		

S3

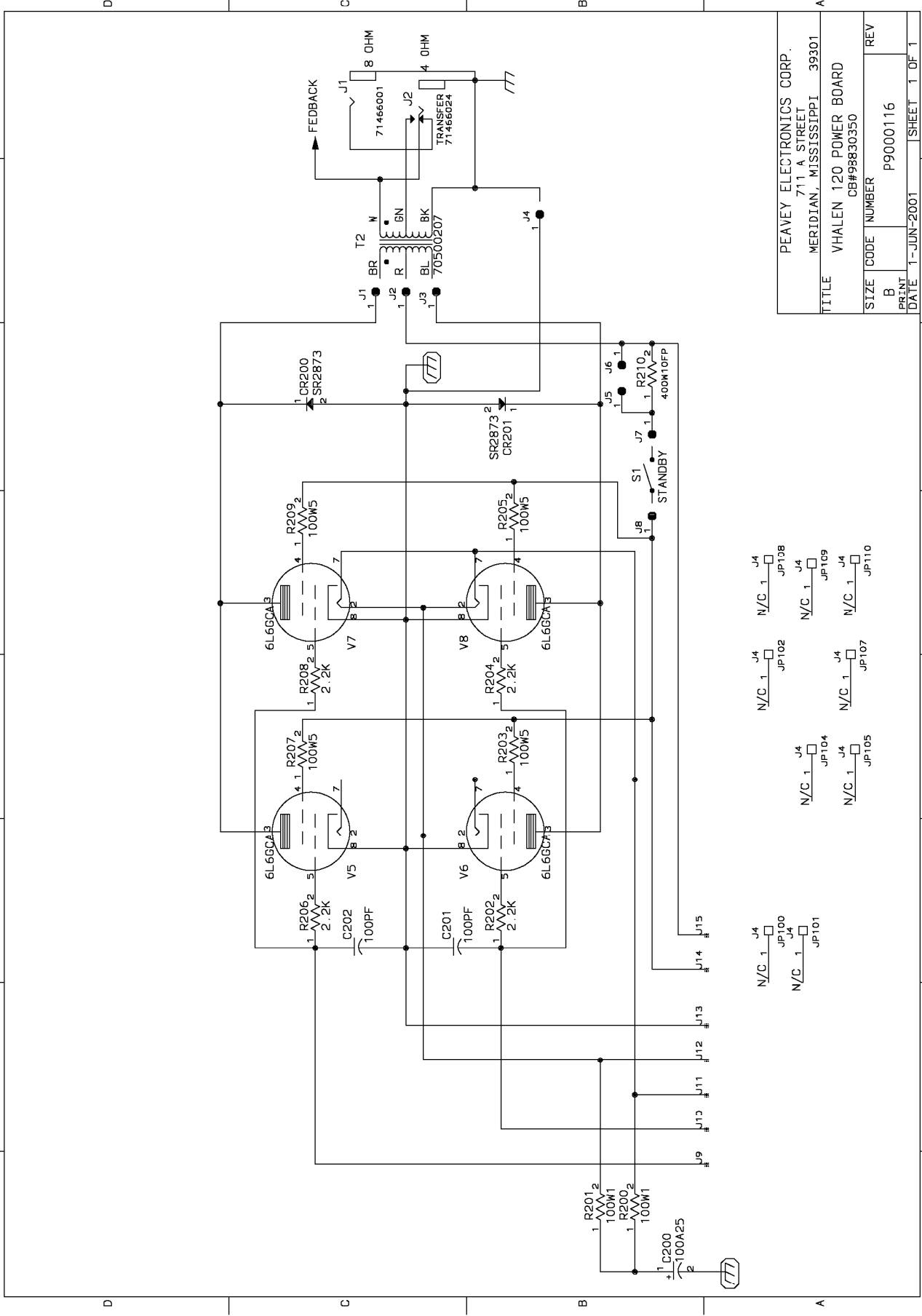
* END OF BILL OF MATERIALS REPORT *

- 1 330K 330K 70240037 330K--1/4W--5%-----CF--T&R
- 2 330V350 330V350 70320169 330 MFD 350 VDC VERT. SNAP-IN
- 3 33K 33K 70240030 33K---1/4W--5%-----CF--T&R
- 2 39K 39K 70240048 39K---1/4W--5%-----CF--T&R
- 1 39PF 39PF 70340052 39PF-----50VDC---T/C---T&R
- 4 4.7K 4.7K 70240023 4.7K--1/4W--5%-----CF--T&R
- 2 4.7W1 4.7W1 70210015 4.7---1W---5%-----MO--T&R
- 1 47 47 70240008 47---1/4W--5%-----CF--T&R
- 1 470 470 70240015 470---1/4W--5%-----CF--T&R
- 1 4700R35 4700R35 70350200 4700 MFD 35VDC RADIAL SNAP-IN
- 7 470K 470K 70240038 470K--1/4W--5%-----CF--T&R
- 5 470PF 470PF 70340058 470PF-----10%-----50VDC---T/C---T&R
- 1 47A500 47A500 70322005 47MF 500VDC ELECTROLYTIC -AXIAL
- 2 47FP 47FP 70240090 47FP--1/4W--5%-----FP--T&R
- 3 47K 47K 70240031 47K---1/4W--5%-----CF--T&R
- 1 47W1 47W1 70210011 47---1W---5%-----MO--T&R
- 1 4KW5 4KW5 70250050 4K--5W--10%--WW--AXL
- 9 500SOWD 70900781 70900781 SPACER, 1/2.R(#4)..187 SWAGE ALUM.
- 1 50KBYB 71190511 71190511 50K LIN MIN VPC W/BRACKET
- 1 6.8K 6.8K 70240024 6.8K--1/4W--5%-----CF--T&R
- 4 6531 6531 70466531 MPS-6531 TO92 NPN TRANS. T&A
- 2 68K 68K 70240032 68K---1/4W--5%-----CF--T&R
- 1 68KP1 68KP1 70241070 68K---1/4W--1%-----CF--T&R

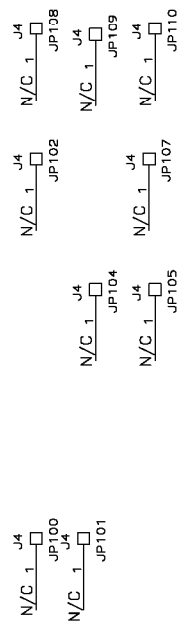
- 2 820 820 70240019 820---1/4W--5%-----CF--T&R
- 1 820PF 820PF 70340062 820PF-----10%-----50VDC---T/C---T&R
- 2 82K 82K 70240033 82K---1/4W--5%-----CF--T&R
- 1 DIN7RA 71466226 71466226 CONN 7P R/A PCMNT DIN W/ 4 MNT. HOLES
- 1 DRASW DRASW 71322256 PC MNT SWITCH DUAL
- 3 FMPU 73711811 73711811 M118-171 C.B. FEMALE MOLEX PIN
- 2 HIDMINI 71466214 71466214 2 TIP HID JACK NINS W/SPD
- 2 J174 J174 70460174 J-174 30V TO-92 P-CHAN FET T&A
- 2 LBRKTI 71500238 71500238 #74 L-BRACKET W/4-40 HOLE
- 1 LOMRELAY 71322378 71322378 RELAY, 12V DPDT - LO MIC
- 1 MAC97 MAC97 70460097 MAC97-6 400V .6A TO-92 TRIAC T&A
- 5 MMPD 73711812 73711812 R93-12 PN C.B. MALE MOLEX PIN
- 14 MMPU 73711812 73711812 R93-12 PN C.B. MALE MOLEX PIN
- 1 POT0452 71190452 71190452 10kb vpc 6.5mm
- 1 PRASW PRASW 71322289 DPDT P/P CB MNT SWITCH
- 4 RASN6165 71466165 71466165 JK R/A 12.5MM NIN STEREO -88
- 102 SPX1 SPX1 73717003 1 STAKE PIN

- R5
- R38, R39
- C167
- R46, R157
- J6
- S1
- J83, J84, J86
- J96, J100
- Q7, Q8
- M30, M31
- K4
- CR23
- J97, J99, J102, J103, J104
- J15, J16, J72, J73, J74, J75, J76, J77, J78, J79, J80, J81, J82, J85
- VR16
- S2
- J10, J165, J166, J167
- J11, J12, J13, J14, J42, J43, J47, J48, J49, J50, J57, J58, J59, J60, J61, J62, J63, J70, J71, J98, J101, J105, J106, J107, J108, J150, J151, J152, J153, J154, J155, J156, J157, J158, J159, J160, J161, J162, J163, J168, J169, J170, J171, J172, J173, J200, J201, J202, J203, J204, J205, J206, J207, J208, J209, J210, J211, J212, J213, J214, J215, J216, J217, J218, J219, J220, J221, J222, J223, J224, J225, J226, J227, J228, J229, J230, J231, J232, J233, J234, J235, J236, J237, J238, J239, J240, J241, J242, J243, J244, J245, J246, J247, J248, J249, J252, J253, J254, J255, J256, J257, J258,

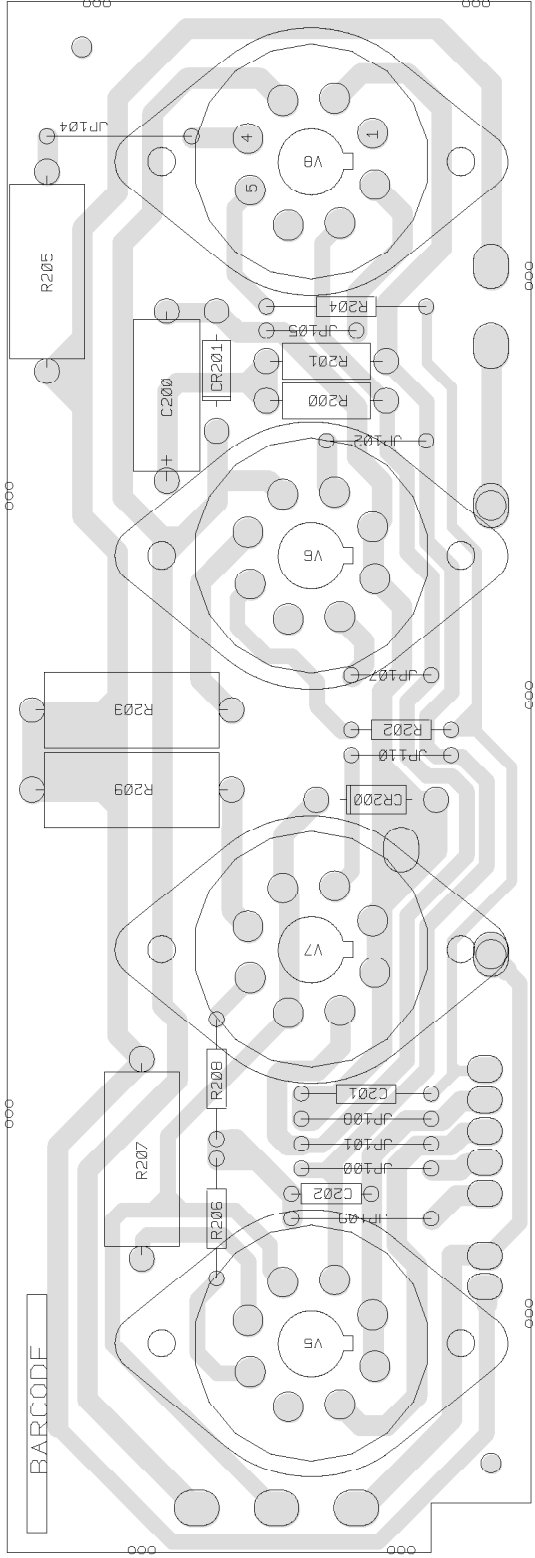
1 2 3 4 5 6 7 8



PEAVEY ELECTRONICS CORP.	
711 A STREET	
MERIDIAN, MISSISSIPPI 39301	
TITLE VHALEN 120 POWER BOARD	
CB#98830350	
SIZE	REV
B	P9000116
PRINT	
DATE	SHEET 1 OF 1

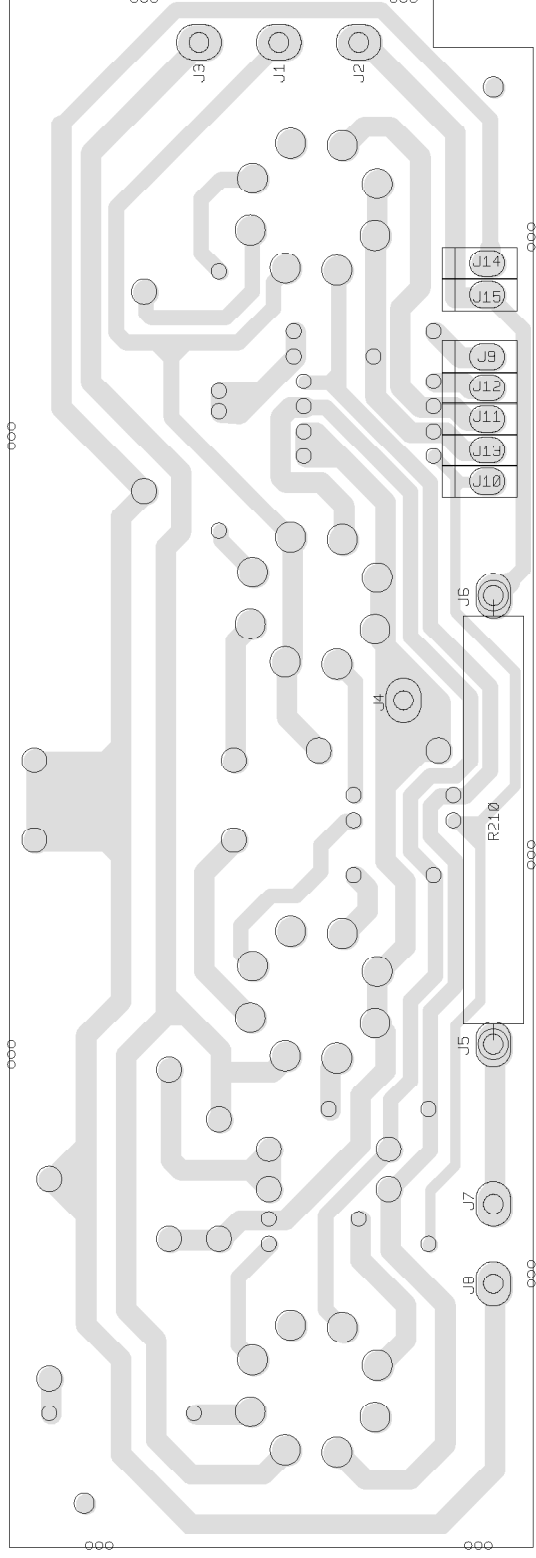


D C B A



PRIMARY SIDE

EVH POWER



SECONDARY SIDE

B I L L O F M A T E R I A L S R E P O R T

BOARD NAME: VHPWR REPORT DATE: 29AUG01

ASSEMBLY LEVEL NUMBER: 99030352 DESIGNER: FREDDIE EAVES

PROJECT NUMBER: VHPWR

CBDS

PART	PART	DESCRIPTION AND	
** QTY. NAME	VALUE	NUMBER	DEVICE DESIGNATIONS *****

1	98830352	98830352	VHPWR PCB
1	100A25	100A25	70320014 100 MFD 25VDC LYTIC CAP
			C200
2	100PF	100PF	70340054 100PF-----10%-----50VDC----T/C----T&R
			C201, C202
2	100W1	100W1	70210003 100---1W----5%----MO--T&R
			R200, R201
4	100W5	100W5	70250006 100--5W--10%--WW--AXL

R203, R205, R207, R209

4 2.2K 2.2K 70240020 2.2K--1/4W--5%----CF--T&R

R202, R204, R206, R208

1 400W10FP 400W10FP 70250019 400--10W--10%--FP--AXL

R210

4 6L6GCA 6L6GCA 70806604 6L6GC VAC TUBE W/INS SOCKET 70806627

V5, V6, V7, V8

9 J4 J 70600005 22GA JUMPER WIRES T&R

JP100, JP101, JP102, JP104, JP105,
JP107, JP108, JP109, JP110

8 MMPD 73711812 73711812 R93-12 PN C.B. MALE MOLEX PIN

J1, J2, J3, J4, J5, J6, J7, J8

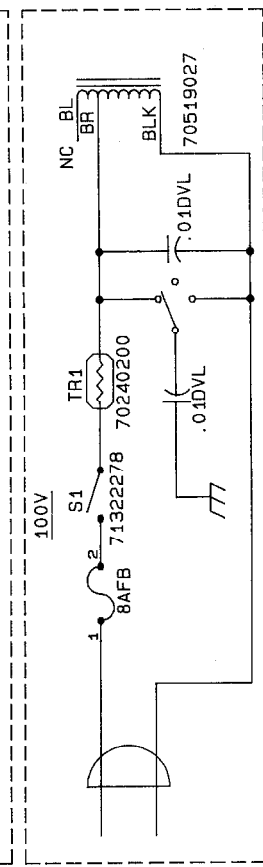
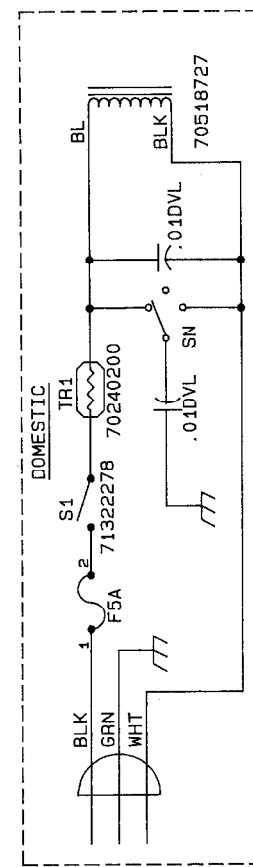
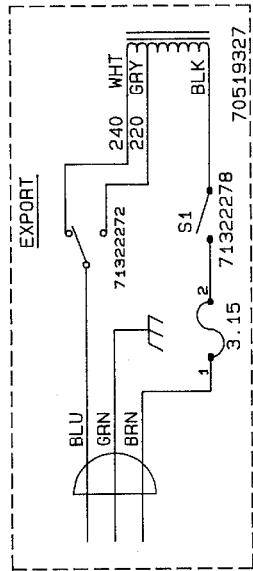
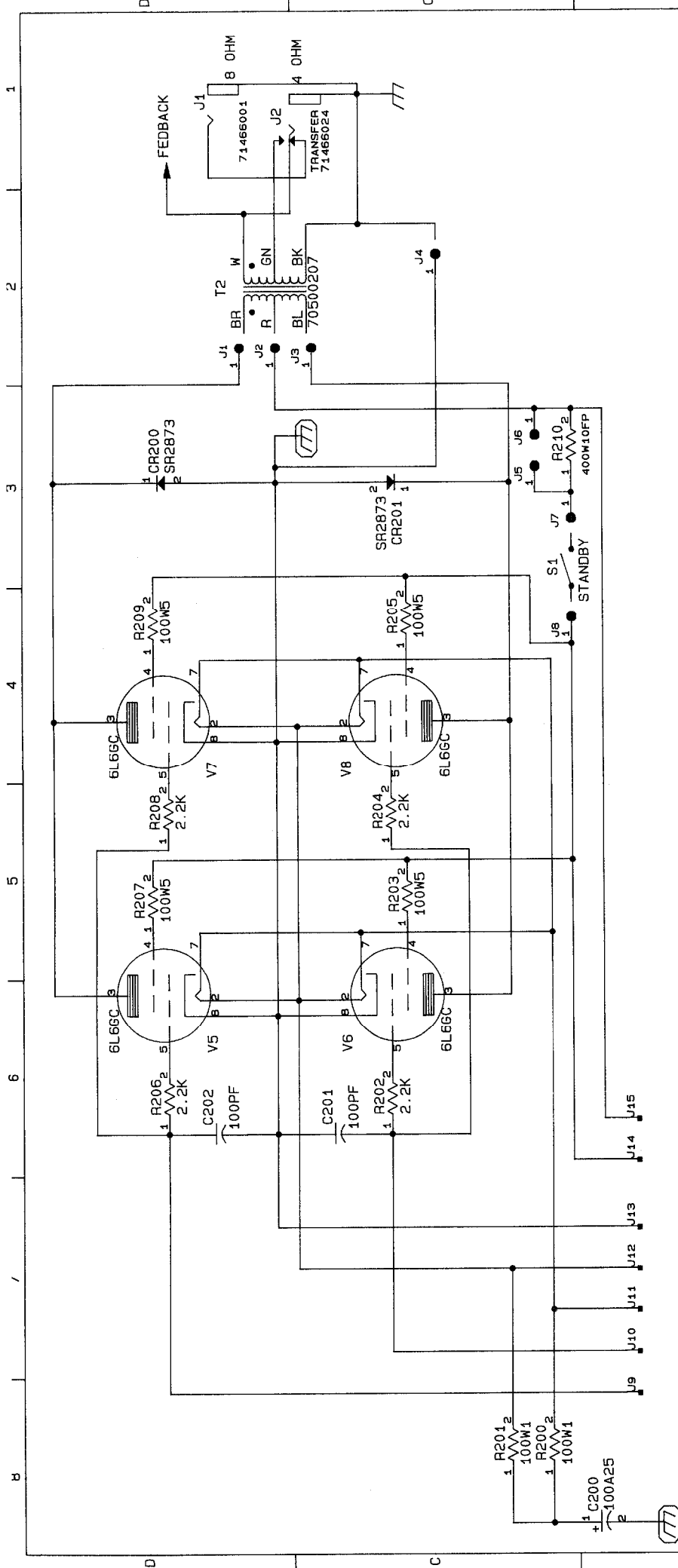
7 SPX1D SPX1D 73717003 1 STAKE PIN

J9, J10, J11, J12, J13, J14, J15

2 SR2873 SR2873 70402873 SR2873 2KV, 250MA SILICON DIODE

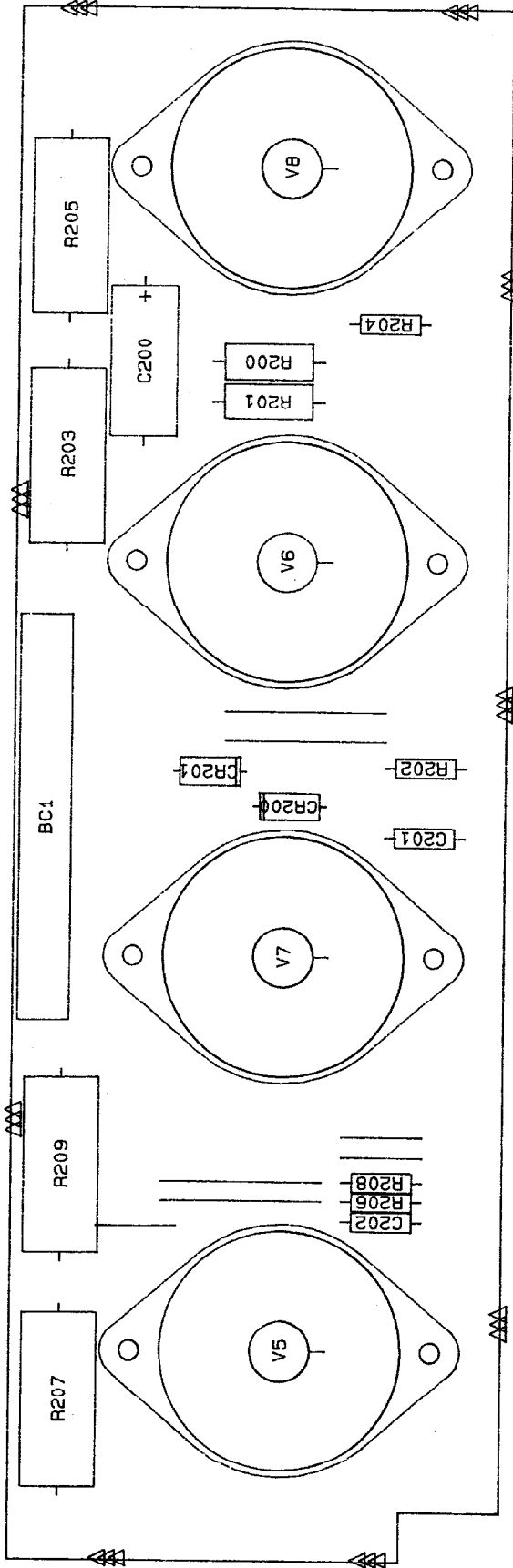
CR200, CR201

* END OF BILL OF MATERIALS REPORT *



PEAVEY ELECTRONICS CORP. 711 A STREET MERIDIAN, MISSISSIPPI 39301	
TITLE	VHALEN 120 POWER BOARD CB#99830350
SIZE	B
CODE	NUMBER
PRINT	81501510
DATE	31-JAN-92
SHEET	3 OF 3

POWER BD.



C200	100A25	70320014	100 MFD 25 VDC LYTIC CAP
C201	100PF	70340054	100PF 10% 50V TUB CER T&R
C202	100PF	70340054	100PF 10% 50V TUB CER T&R
CR200	SR2873	70402873	SR-2873 2KV, 250MA SIL DIO
CR201	SR2873	70402873	SR-2873 2KV, 250MA SIL DIO
R200	100W1	70210003	100-1W-5%-MO-T&R
R201	100W1	70210003	100-1W-5%-MO-T&R
R202	2.2K	70240020	2200-1/4W-5%-CF-T&R
R203	100W5	70250006	100-5W-10%-WW-AXL
R204	2.2K	70240020	2200-1/4W-5%-CF-T&R
R205	100W5	70250006	100-5W-10%-WW-AXL
R206	2.2K	70240020	2200-1/4W-5%-CF-T&R
R207	100W5	70250006	100-5W-10%-WW-AXL
R208	2.2K	70240020	2200-1/4W-5%-CF-T&R
R209	100W5	70250006	100-5W-10%-WW-AXL
R210	400W10FP	70250019	400-10W-10%-FP-AXL
V5	6L6GC	70806604	6L6 GC TUBE
V6	6L6GC	70806604	6L6 GC TUBE
V7	6L6GC	70806604	6L6 GC TUBE
V8	6L6GC	70806604	6L6 GC TUBE