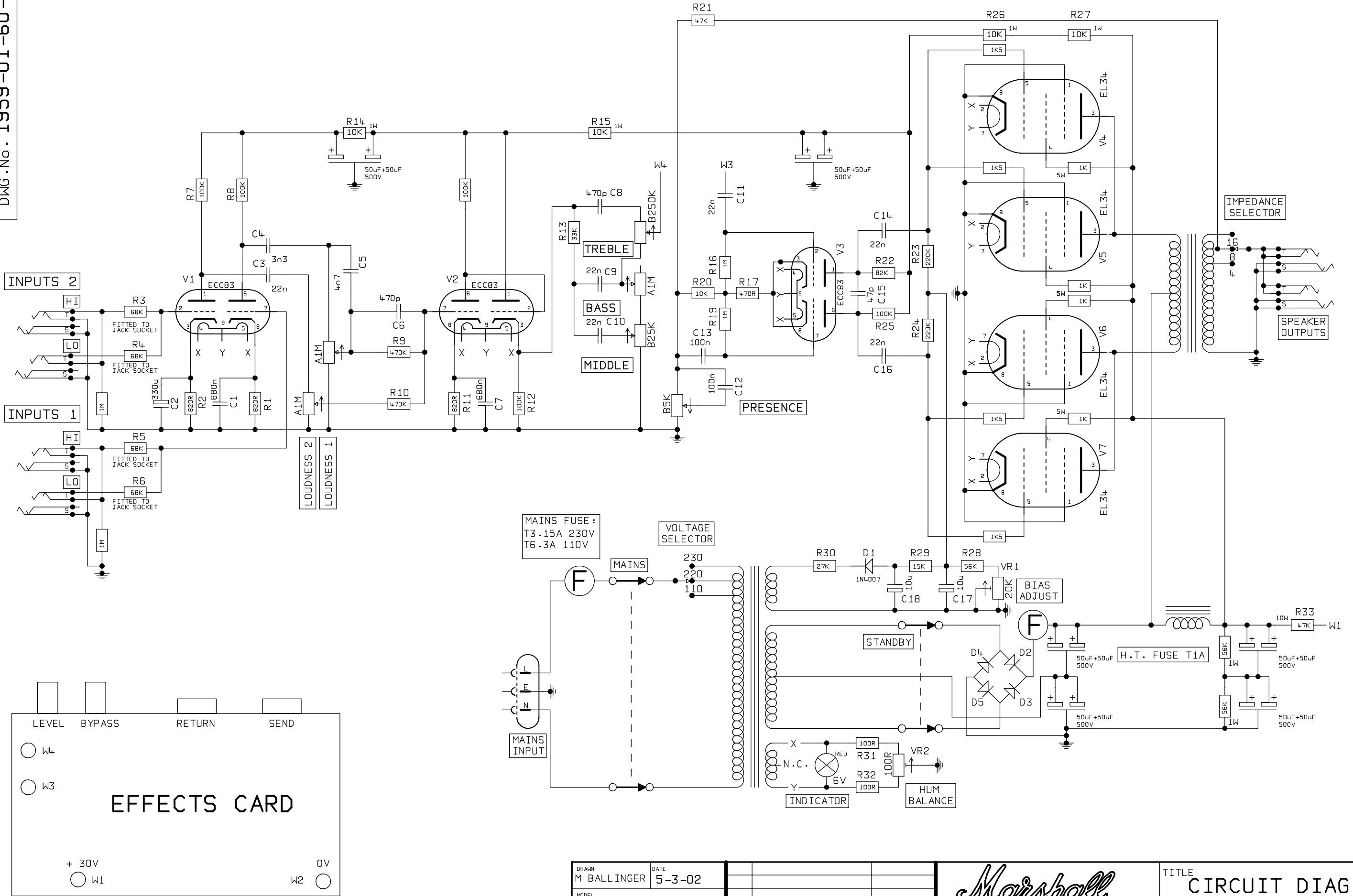


A black Marshall amplifier with a gold control panel. The Marshall logo is in the center. The control panel includes two input jacks, a red power switch, seven knobs, and four output jacks. A power cord is attached to the top.

Marshall



DWG.No . 1959-01-60-02

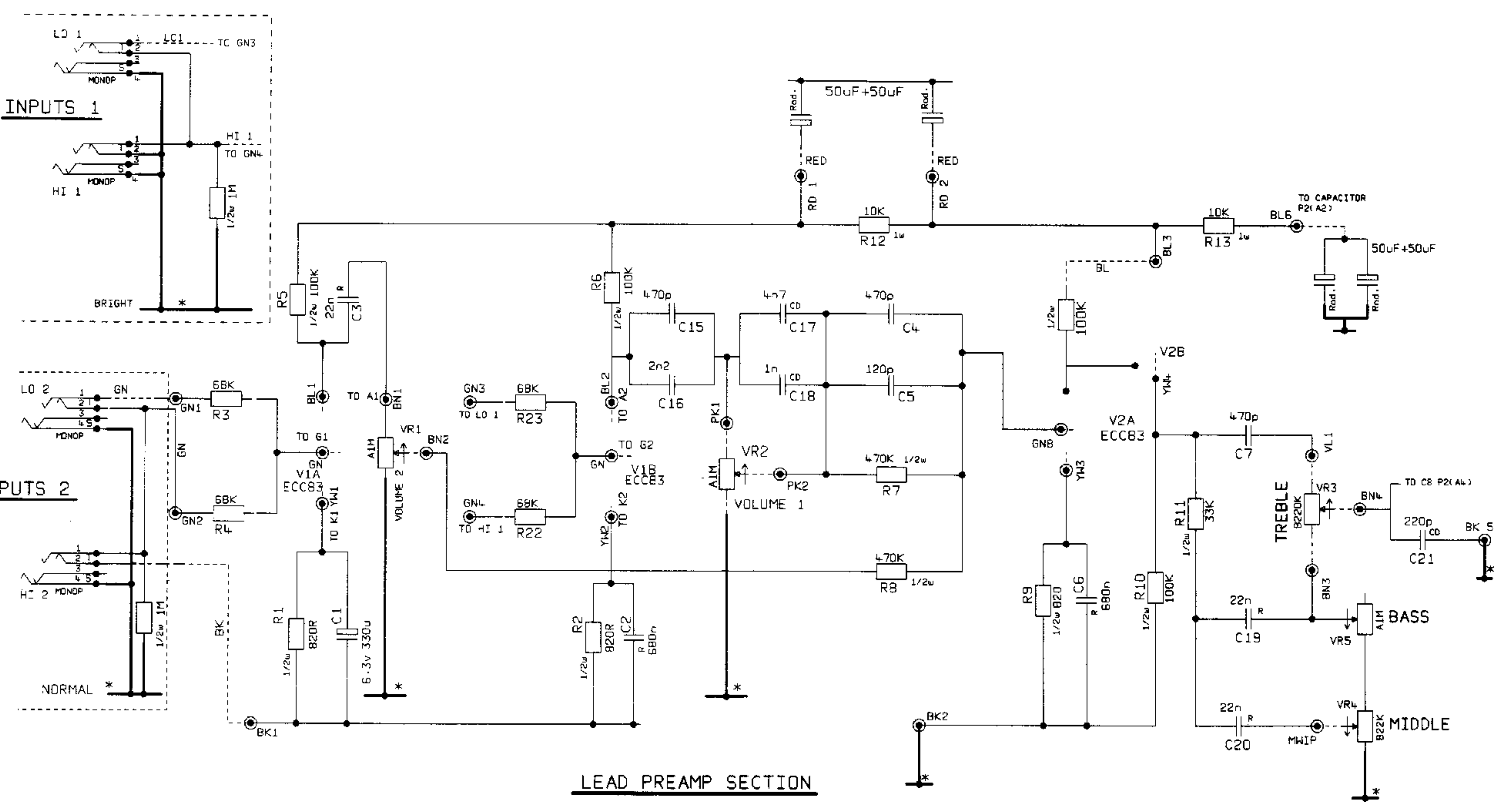


DRAWN M BALLINGER	DATE 5-3-02
MODEL 1959SLP-01	ISS 2
ECO NUMBER 2100	DATE 28-3-02



TITLE CIRCUIT DIAG.	ISS 2
DWG.No 1959-01-60-02	

DWG. No. 59X-60-02



LEAD PREAMP SECTION

NOTES

DASHED LINES DENOTE WIRES OFF FROM THE PCB.
P2 (A5) * PAGE NO & GRID REF.
GND'S MARKED * ARE POT BUS GND.

7	0603	18/4/94	
6	0515	24/1/94	A
5	0394	06/8/93	B
4	0348	13/5/93	C
3	0335	19/4/93	D
2	0299	5-2-93	E
1	MANUFACTURE RELEASE		F
ISS	ECO NUMBER	DATE	G

UNSPECIFIED HOLE DATA	

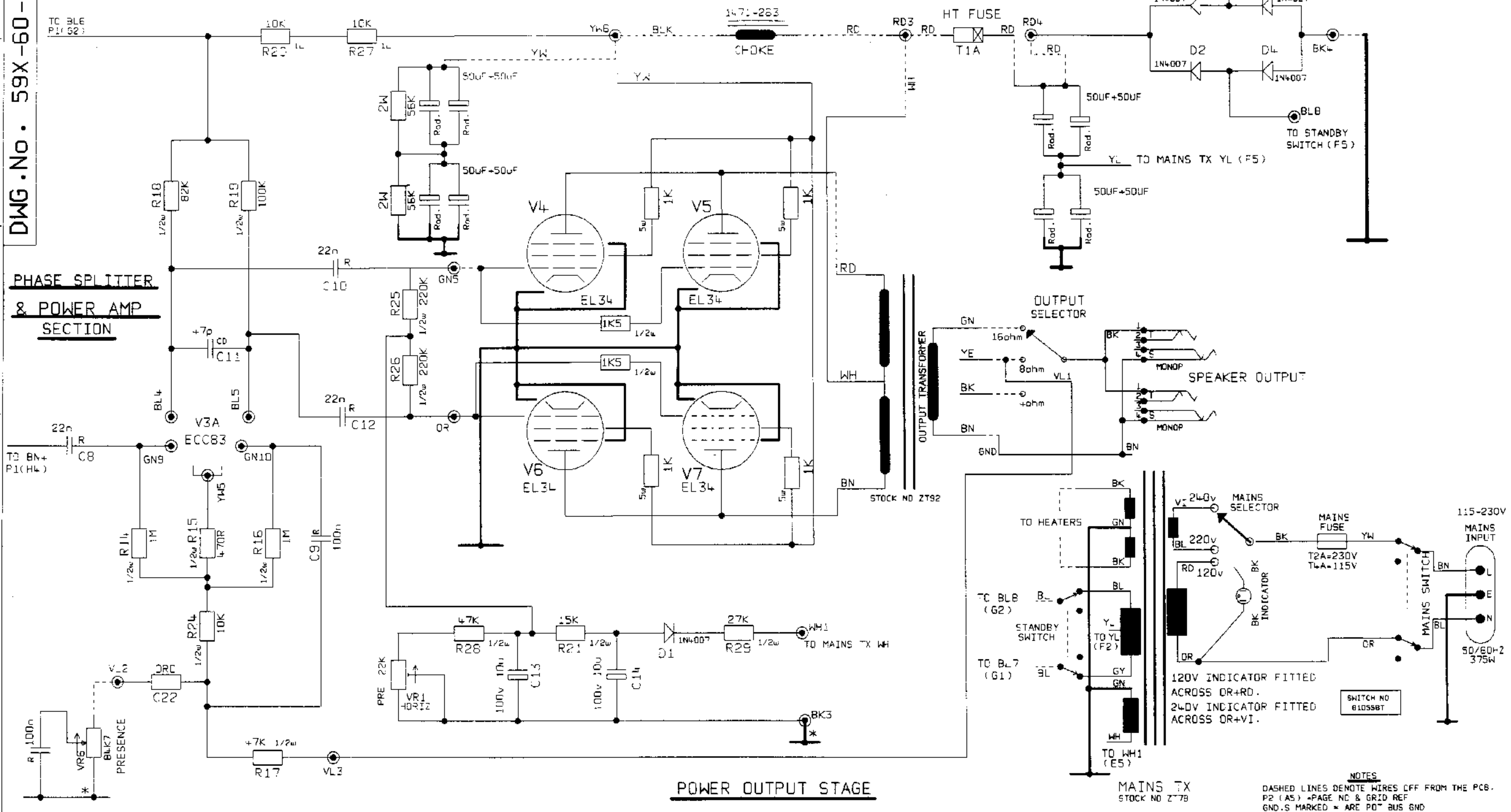
MATERIAL	
MATERIAL THICKNESS	
INTERNAL BEND RADIUS	
EXTERNAL B/A	
BEND DIE	
DRAWN T.FOY	DATE 27/08/92
CHECKED	DATE
APPROVED	DATE

DIMENSIONS IN	
TOLERANCE (UNLESS OTHERWISE STATED)	
DIMENSIONAL	
CENTRES	
ANGULAR	
MODEL	1959SLP

Marshall

COPYRIGHT EXISTS ON THIS DOCUMENT. IT MUST NOT BE USED FOR ANY PURPOSE THAN THAT FOR WHICH IT IS SUPPLIED AND MUST NOT BE REPRODUCED OR IN PART WITHOUT WRITTEN PERMISSION FROM
© MARSHALL AMPLIFICATION PLC
DENBISH ROAD, BLETCHEY, MILTON KEYNES, MK1 1QG.
TEL (0908)375411 FAX (0908)375118

TITLE	CCT DIAGRAM
1 OF 2	A3
DWG. No	59X-60-02
ISSUE	7



7	0603	18/4/94	
E	0515	2+7/1/94	A
5	0394	06/8/93	B
4	0348	13/5/93	C
3	0335	19/4/93	D
2	0299	5-2-93	E
1	MANUFACTURE RELEASE		F
ISS	ECO NUMBER	DATE	G

UNSPECIFIED HOLE DATA	
MATERIAL	
MATERIAL THICKNESS	
INTERNAL BEND RADII	
EXTERNAL B/A	
BEND DIE	
DRAWN T.FOY	DATE 28/06/92
CHECKED	DATE
APPROVED	DATE

DIMENSIONS IN	
TOLERANCE (UNLESS OTHERWISE STATED)	
DIMENSIONAL	
CENTRES	
ANGULAR	
MODEL	
1959SLP	

Marshall

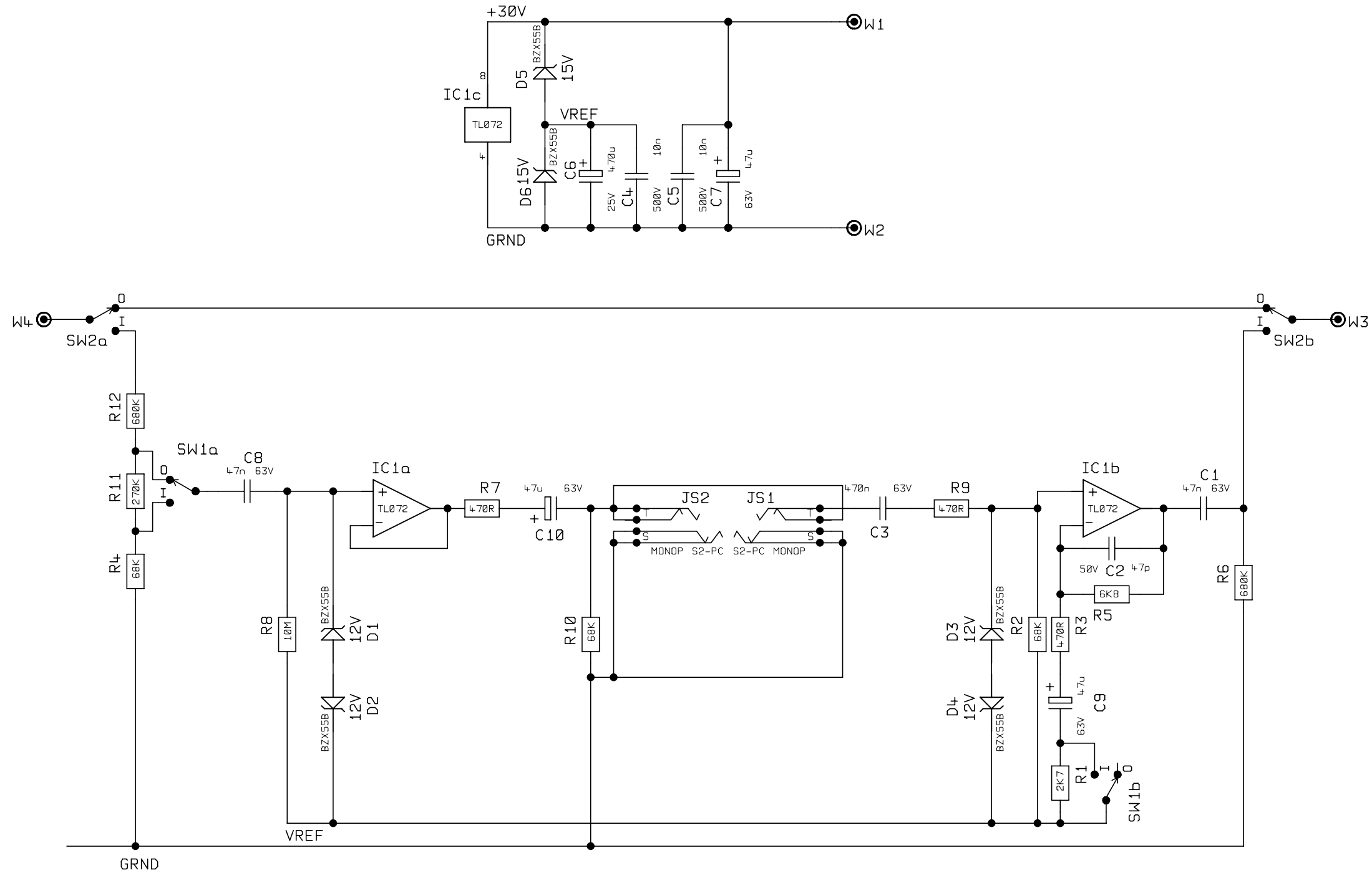
COPYRIGHT EXISTS ON THIS DOCUMENT. IT MUST NOT BE USED FOR ANY PURPOSE OTHER THAN THAT FOR WHICH IT IS SUPPLIED AND MUST NOT BE COPIED IN WHOLE OR IN PART WITHOUT WRITTEN PERMISSION FROM

© MARSHALL AMPLIFICATION PLC
DENBIGH ROAD, BLETCHLEY, MILTON KEYNES, MK1 1DD.
TEL: (0908)375411 FAX: (0908)376119

TITLE	CCT DIAGRAM
2 OF 2	A3
DWG. No	59X-60-02
ISSUE	7

ignorelayers 4

DWG.No. PCBP-00119-60-02



DRAWN	DATE		
MODEL	1959-01/1987-01		
	2203-01/2203ZW		
ISS	ECO NUMBER	DATE	



TITLE	EFFECTS LOOP CIRCUIT
DWG.No	PCBP-00119-60-02
ISS	1