

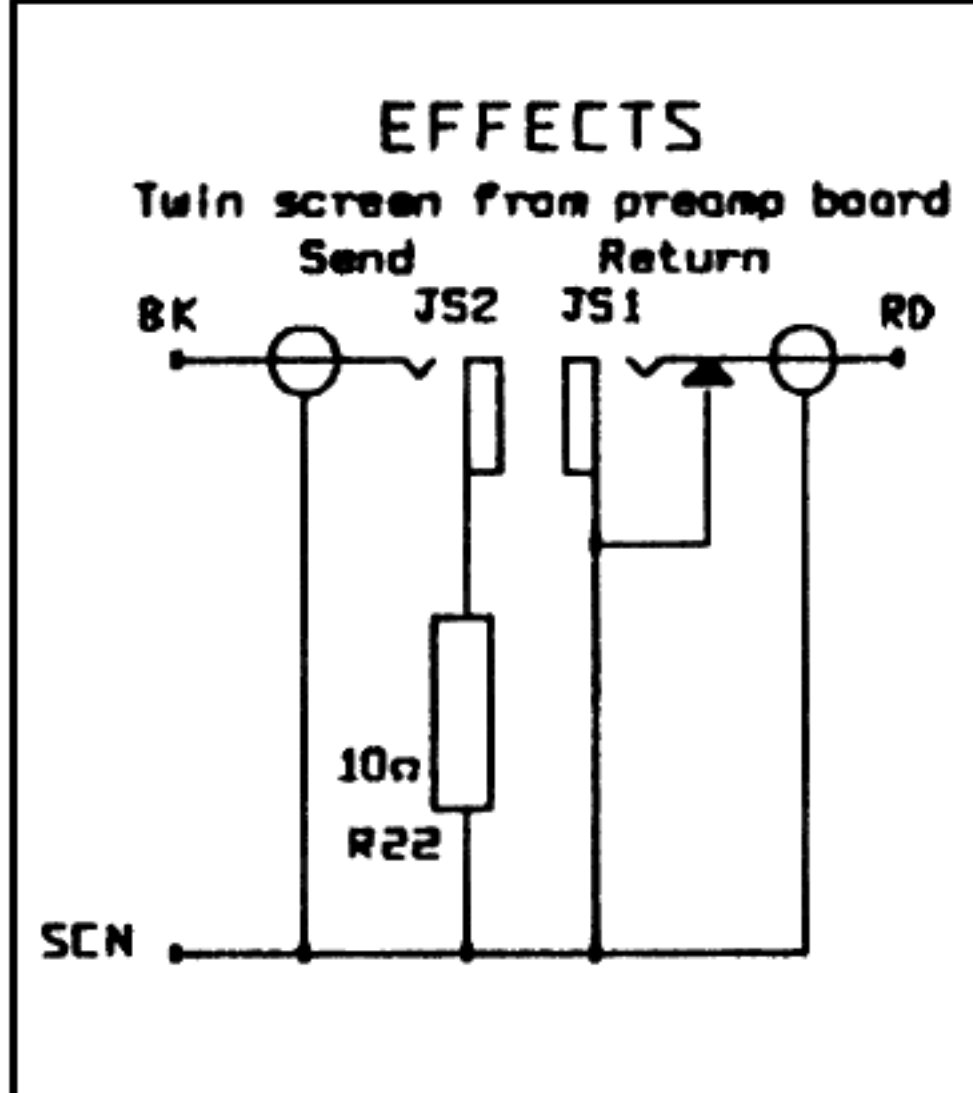
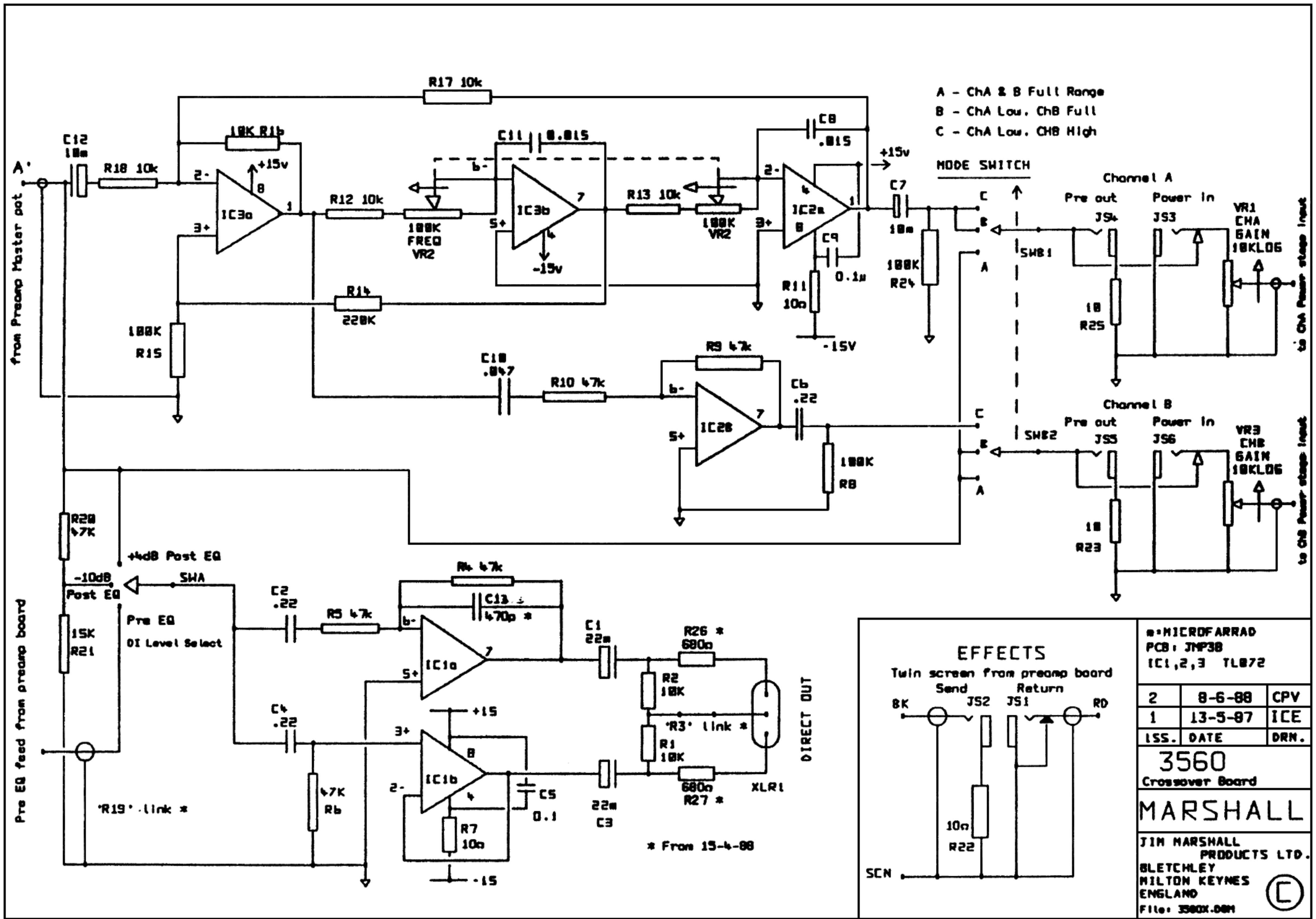
Notes:
 PCB: JMP4C
 (Top Board)
 All MPSA06s are
 selected type

2	17-5-88	CPV
1	21/5/87	ICE
ISS. DATE		DRN.

DRAWING NUMBER
3560 STD
 ChB Power Stage

MARSHALL

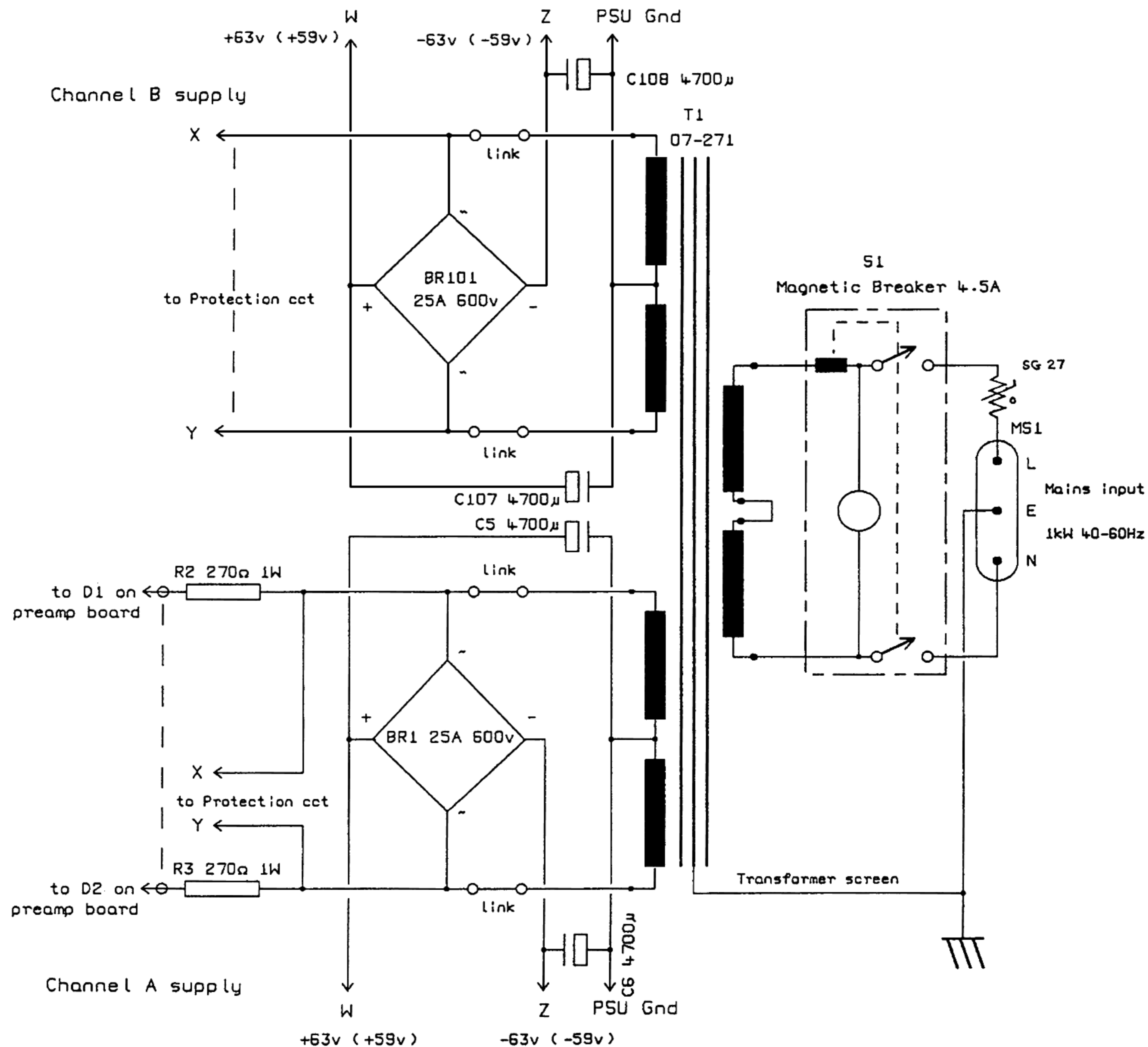
JIM MARSHALL
 PRODUCTS LTD.
 BLETCHLEY
 MILTON KEYNES
 ENGLAND
 File: 3560PWRB.DGM



* MICROFARRAD
 PCB: JNP38
 IC1,2,3 TLB72

2	8-6-88	CPV
1	13-5-87	ICE
ISS. DATE		DRN.

3560
 Crossover Board
MARSHALL
 JIM MARSHALL
 PRODUCTS LTD.
 BLETCHLEY
 MILTON KEYNES
 ENGLAND
 File: 3560X.D0M



NOTES

1. Voltages average only. brackets at clipping.
2. Components mounted on respective power amp PCB.

2	10-10-88	CPV
1	17-5-88	CPV
ISS.	DATE	DRN.

DRAWING NUMBER
3560 STD
 Power supply

MARSHALL
 JIM MARSHALL
 PRODUCTS LTD.
 BLETCHLEY
 MILTON KEYNES
 ENGLAND
 File: 3560PSU.DGM