
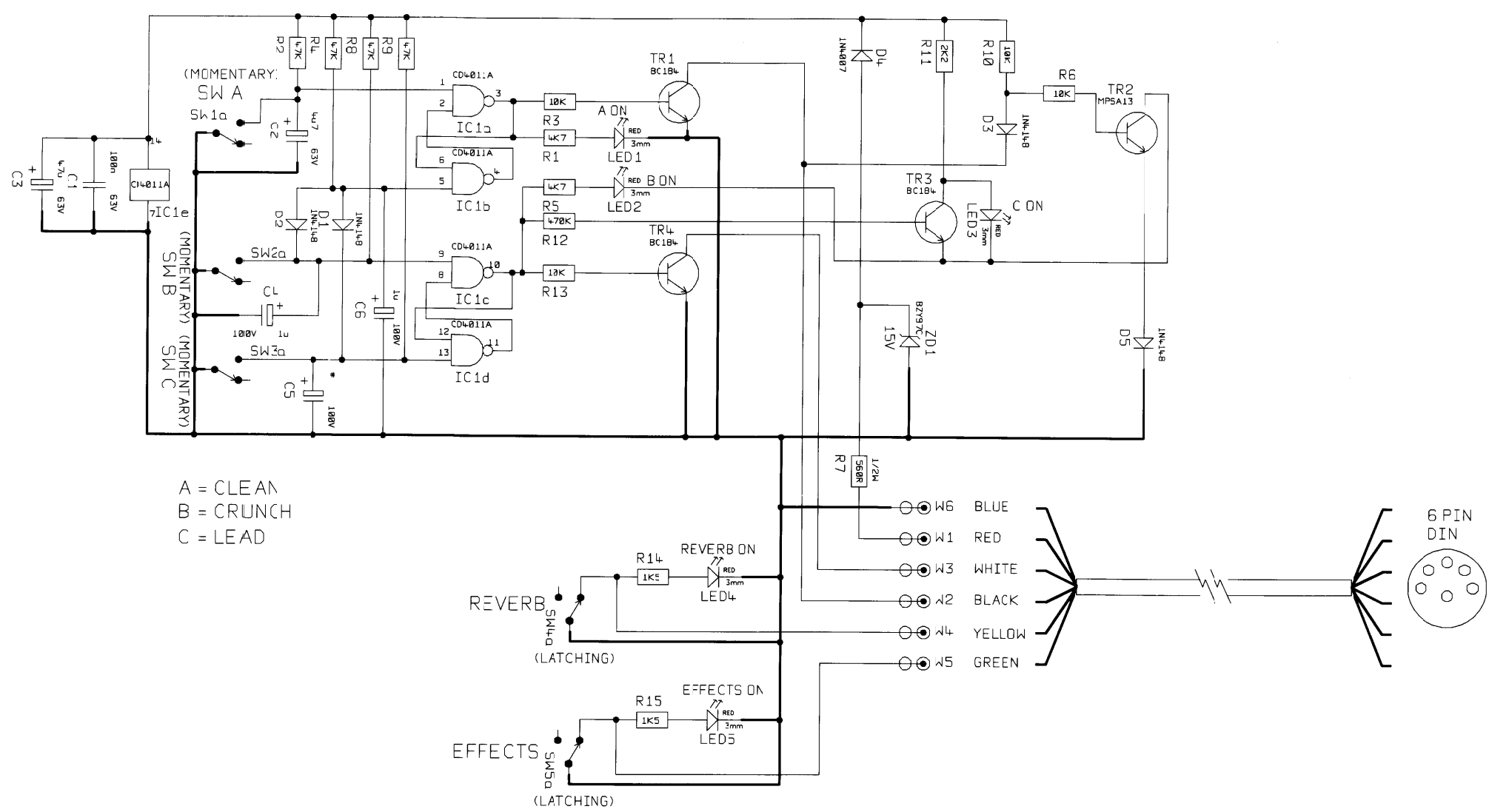


A.No.																				
Appr																				
Date																				

TITLE			 CHROMALOCK LIMITED
MSH-5SW-FTPEDAL			
PCB			Design File No
289A			326
Drawn	Approved	Date	Drq.No.
P.C.	57	2/18/88	C3643-0-0



TO W1 PCB RED (PIN 3)

TO W2 PCB BLACK (PIN 1)

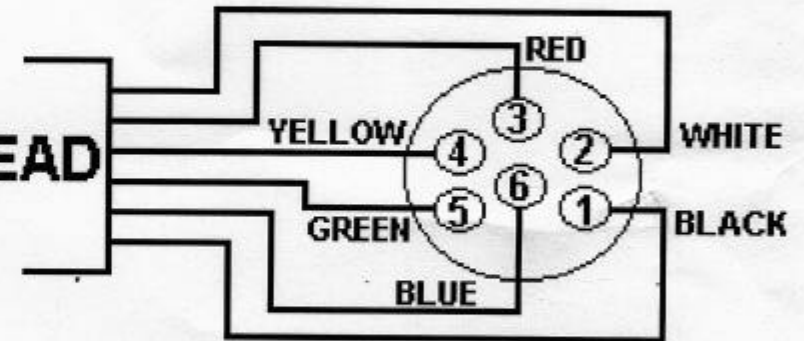
TO W3 PCB WHITE (PIN 2)

TO W4 PCB YELLOW (PIN 4)

TO W5 PCB GREEN (PIN 5)

TO W6 PCB BLUE (PIN 6)

5 METRE LEAD



6 PIN DIN PLUG
LOOKING AT PINS