

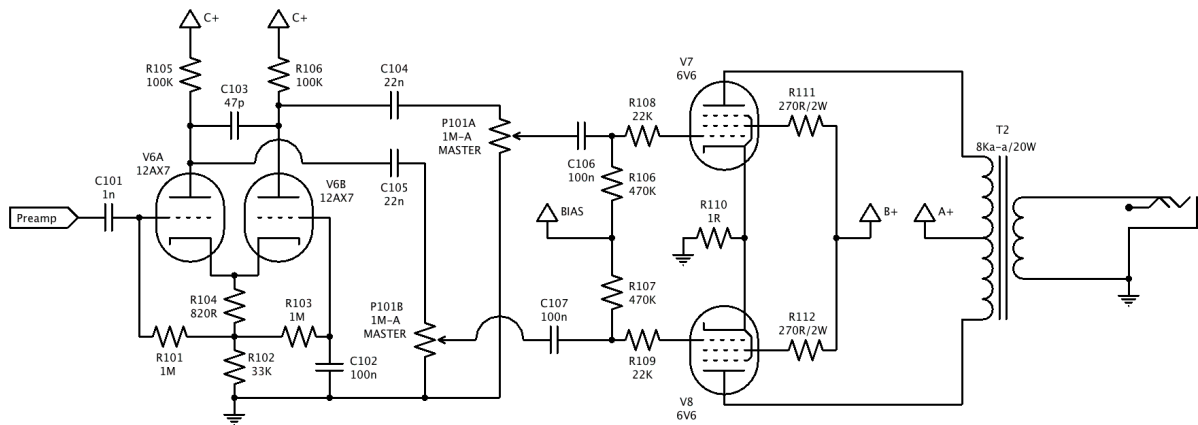
Copyright ©2012 Arnaud Ferraris

This document can be redistributed and/or modified under the terms of the version 3 of the GNU General Public License.

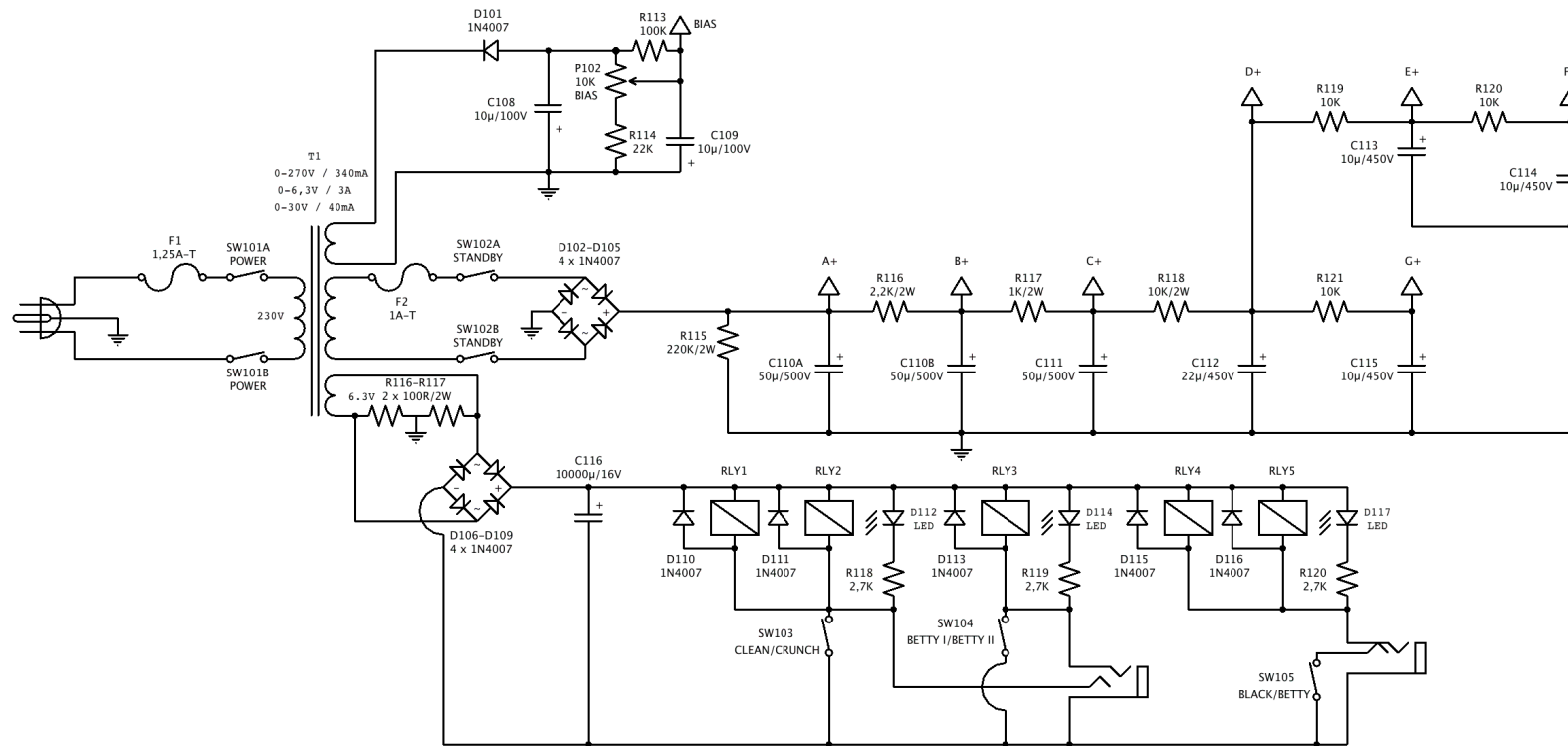
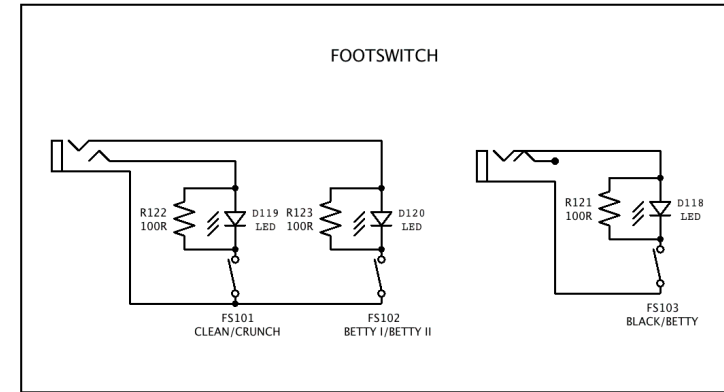
This document is distributed in the hope that it will be useful, but WITHOUT ANY WARRANTY.

See the GNU General Public License (<http://www.gnu.org/licenses/>) for more details.

<b>A-wai Custom Amps</b>		
<b>Black Betty</b>		
A. Ferraris	Rev 1.0 20/04/12	Page 1/2



Bias : 23-25mA par tube  
(48-52mV aux bornes de R110)



Copyright ©2012 Arnaud Ferraris

This document can be redistributed and/or modified under the terms of the version 3 of the GNU General Public License.

This document is distributed in the hope that it will be useful, but WITHOUT ANY WARRANTY.

See the GNU General Public License (<http://www.gnu.org/licenses/>) for more details.

<b>A-wai Custom Amps</b>		
<b>Black Betty</b>		
A. Ferraris	Rev 1.0	Page 2/2
	20/04/12	