

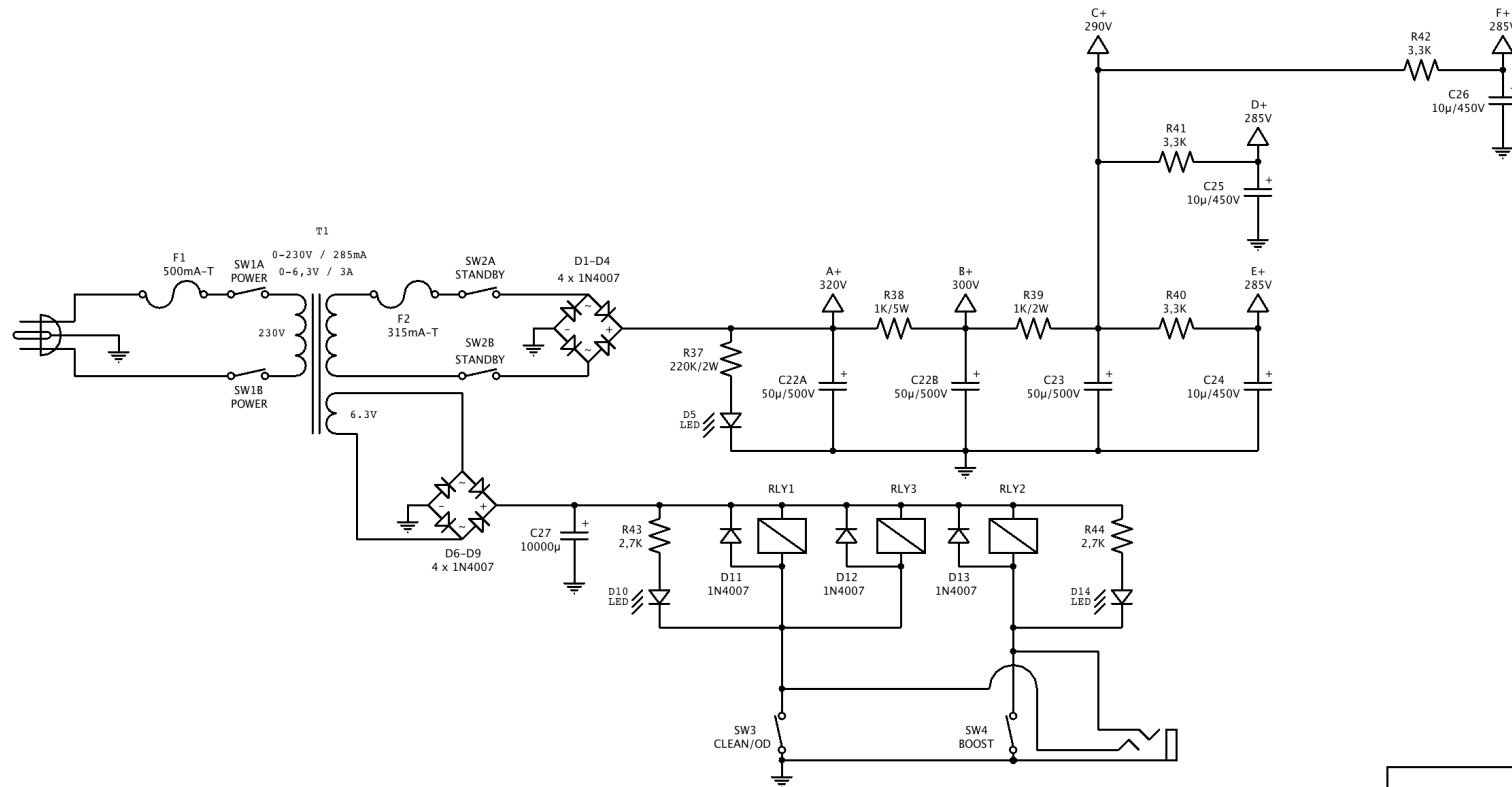
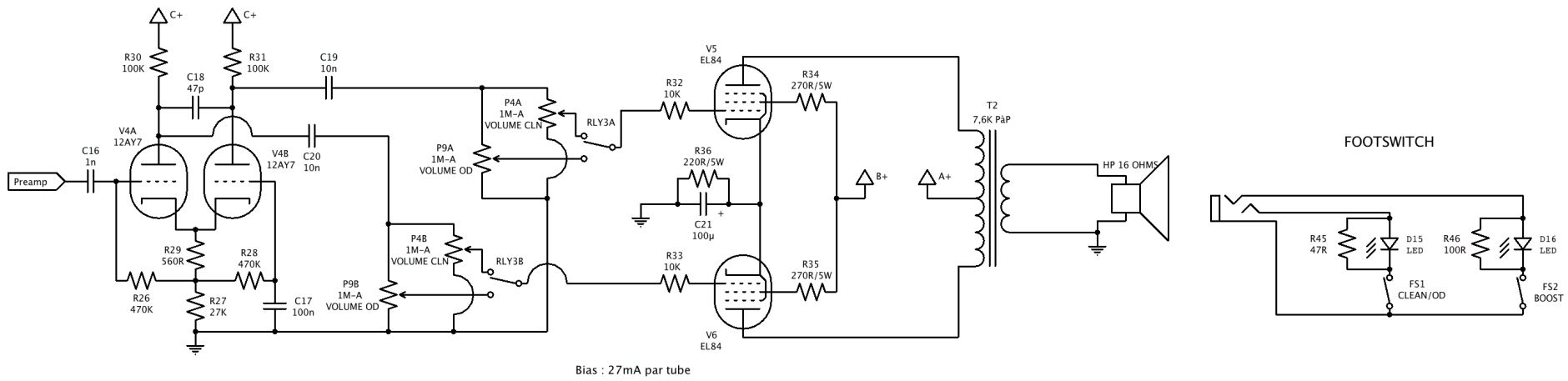
Copyright ©2010 Arnaud Ferraris

This document can be redistributed and/or modified under the terms of the version 3 of the GNU General Public License.

This document is distributed in the hope that it will be useful, but WITHOUT ANY WARRANTY.

See the GNU General Public License (<http://www.gnu.org/licenses/>) for more details.

A-wai Custom Amps		
Raw Power		
A. Ferraris	Rev 1.2	Page 1/2
	12/11/10	



Copyright ©2010 Arnaud Ferraris
 This document can be redistributed and/or modified under the terms of the version 3 of the GNU General Public License.
 This document is distributed in the hope that it will be useful, but WITHOUT ANY WARRANTY.
 See the GNU General Public License (<http://www.gnu.org/licenses/>) for more details.

A-wai Custom Amps		
Raw Power		
A. Ferraris	Rev 1.2	Page 2/2
	12/11/10	