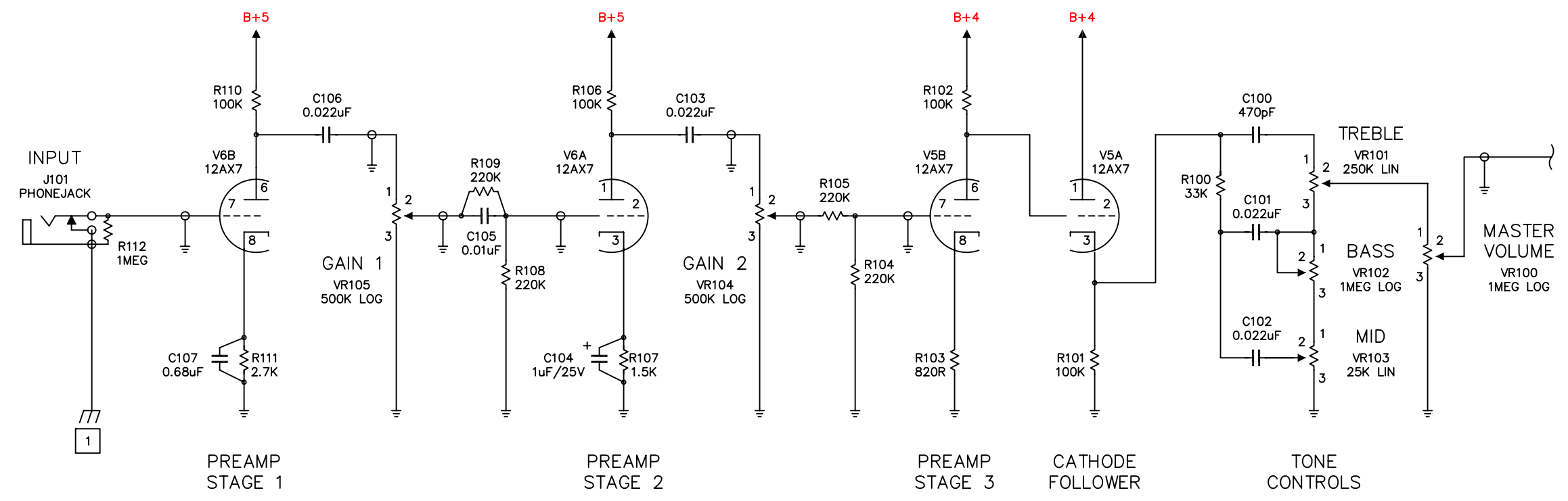
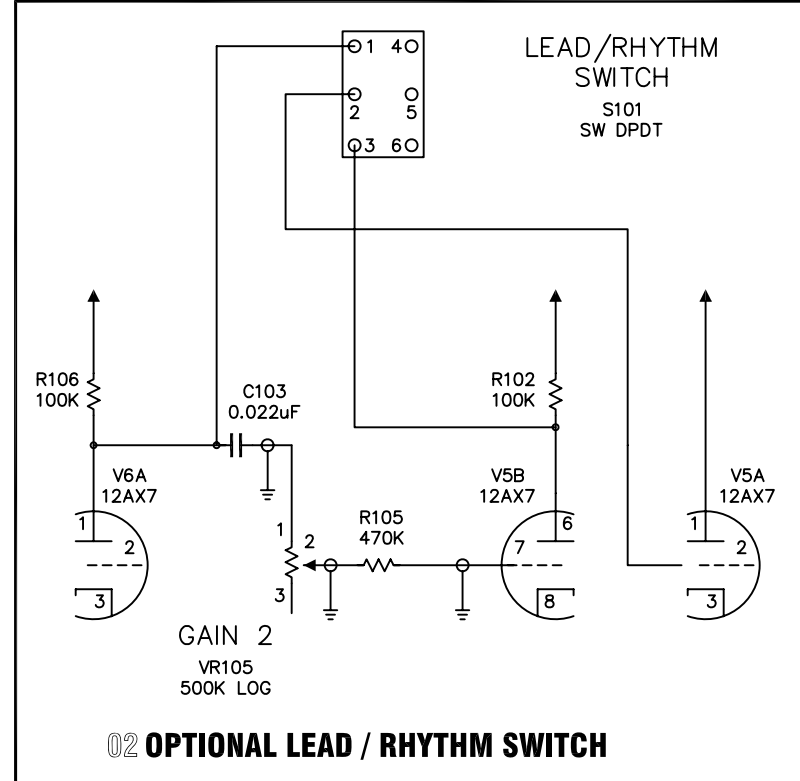
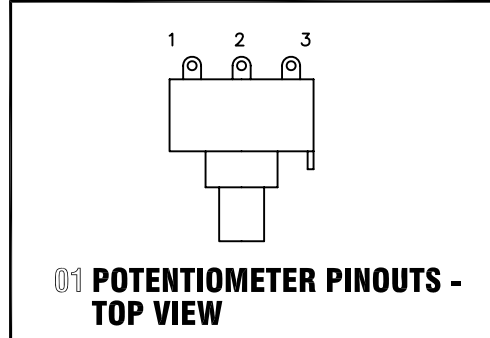


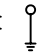
Revision	Description
06.08.01	Issued For Construction
06.09.11	Changed Input Jack Component Number
06.10.20	Renumberd Tubes



Revision	Description
06.08.01	Issued For Construction
06.09.11	Changed Input Jack Component Number
06.10.20	Renumberd Tubes



GENERAL NOTES:

1. ALL RESISTORS 1/2W MINIMUM UNLESS OTHERWISE NOTED.
2. ALL COUPLING CAPACITORS 400V OR GREATER.
3. THE  SYMBOL REPRESENTS SHIELDED CABLE.
4. NOT ALL COMPONENTS ARE USED WITH ALL AMPS. THIS RESULTS IN COMPONENT NUMBERING GAPS AND IS NORMAL.

VOLTAGE READING NOTES:

2. DIFFERENT TUBES DRAW DIFFERENT AMOUNTS OF CURRENT, NO TWO ARE ALIKE UNLESS THEY ARE MATCHED. THE AMOUNT OF CURRENT DRAWN BY ALL THE TUBES IN THE AMP WILL AFFECT VOLTAGE READINGS THROUGHOUT THE AMP.
3. PREAMP VOLTAGE READINGS ARE THOSE THAT CAN BE EXPECTED WHEN USING THE DEFAULT POWER TUBE SHOWN ON THE POWER-AMP SCHEMATICS. USE OF OTHER TUBES WILL AFFECT YOUR READINGS.

CONSTRUCTION NOTES:

- 1 THIS IS A GROUND CONNECTION TO THE CHASSIS. THE MAINS SAFETY CONNECTION SHOULD BE MADE AS CLOSE AS POSSIBLE TO THE POINT WHERE AC ENTERS THE CHASSIS. THE CIRCUIT CONNECTION SHOULD BE MADE AS CLOSE AS POSSIBLE TO THE INPUT JACK. IDEALLY, THE JACK ITSELF SHOULD BE USED AS THE CONNECTION POINT BY NOT ISOLATING IT FROM THE CHASSIS.