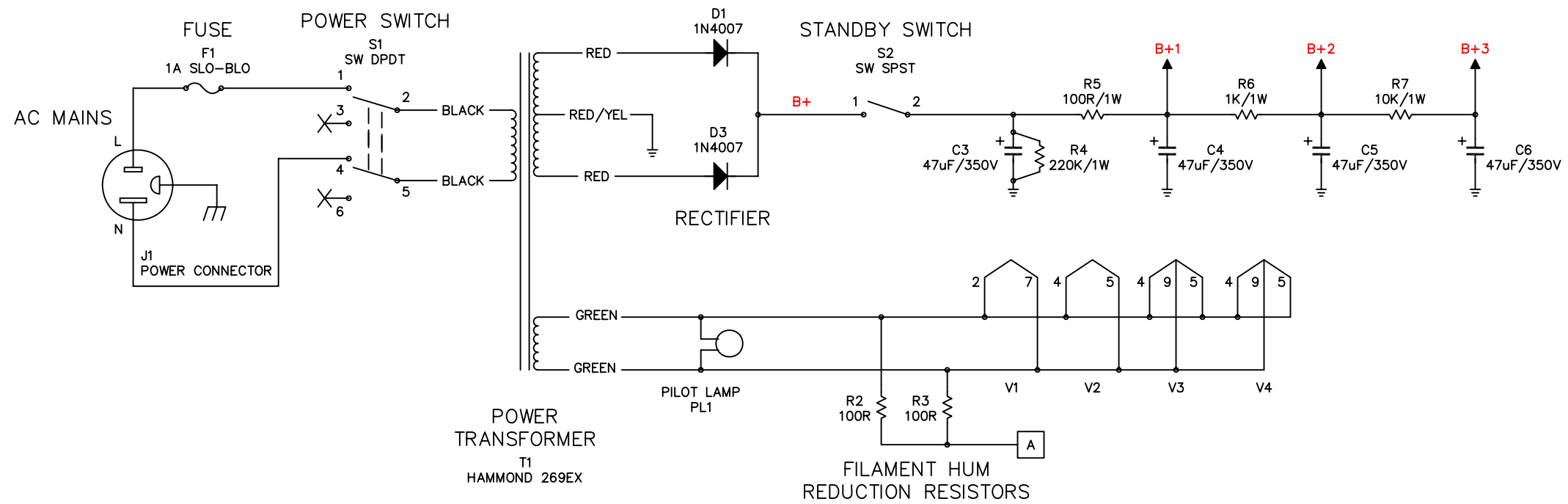
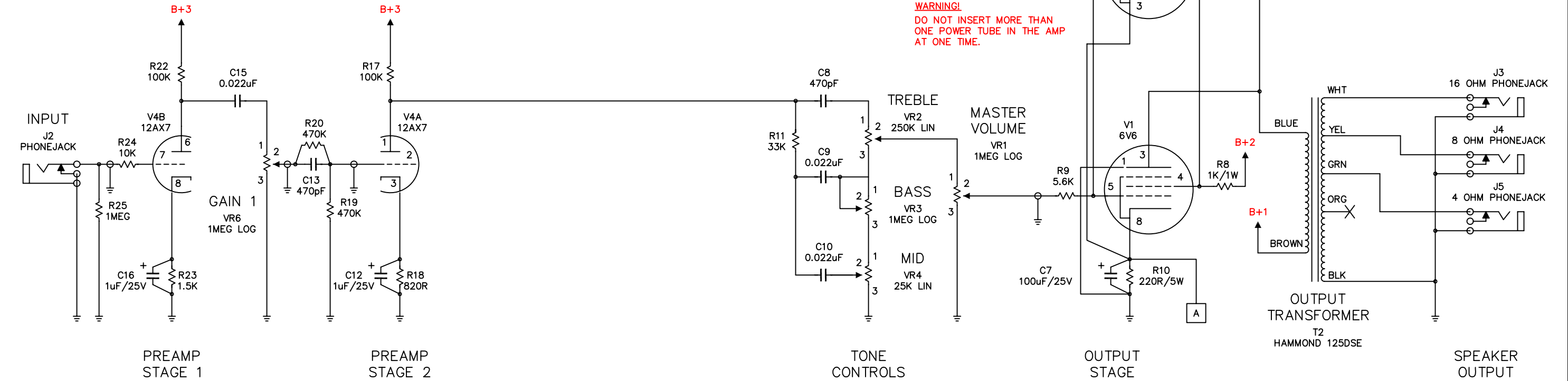
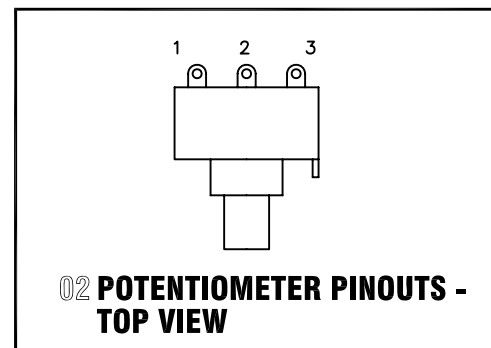
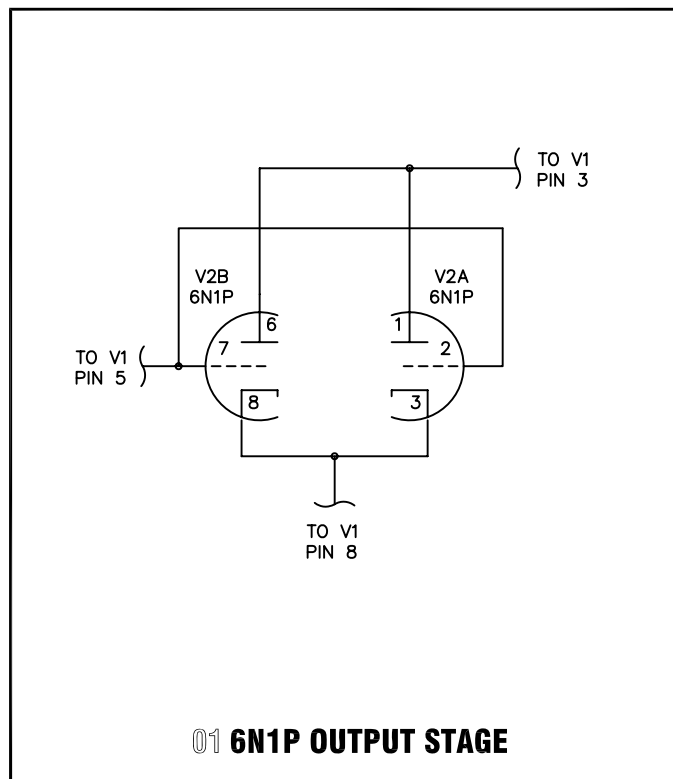


CAPACITOR, DIODE, RESISTOR, POT. AND TUBE NUMBERING NOTE:
 GAPS HAVE BEEN LEFT IN THE CAPACITOR, DIODE, RESISTOR, POTENTIOMETER, AND TUBE NUMBERING IN ORDER TO MAINTAIN CONSISTENCY BETWEEN THE P1, HIGH OCTANE, AND P1 EXTREME AMPS. A MISSING COMPONENT INDICATES THAT IT IS NOT USED ON THAT AMP, BUT IS USED ON ANOTHER.

Revision	Description
05.11.23	Vari-Bias Revisions Mute Switch Is Now An Option Revised Detail 01 R/C Numbers Revised Detail 04 R/C Numbers
06.02.23	Added Parallel Octal Output Stage Re-numbered Valves Modified Variable Bias Detail Modified Mute Switch Detail Modified 6N1P Output Detail Modified Filament Hookup For Octal Socket Changed R24 to 10K Removed General Note 6

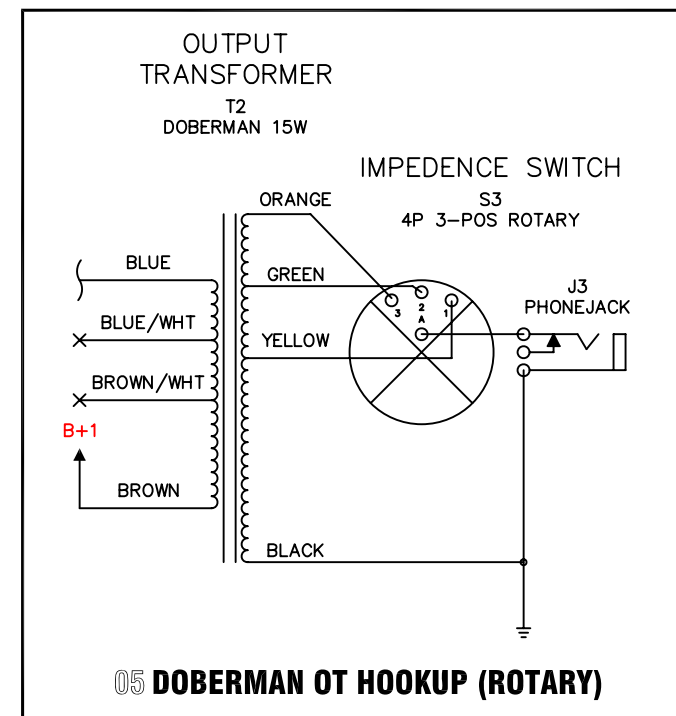
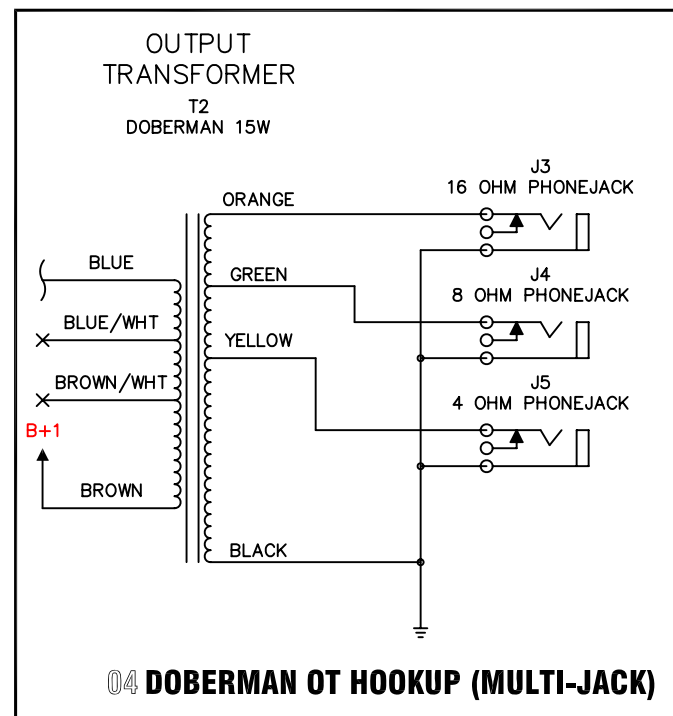
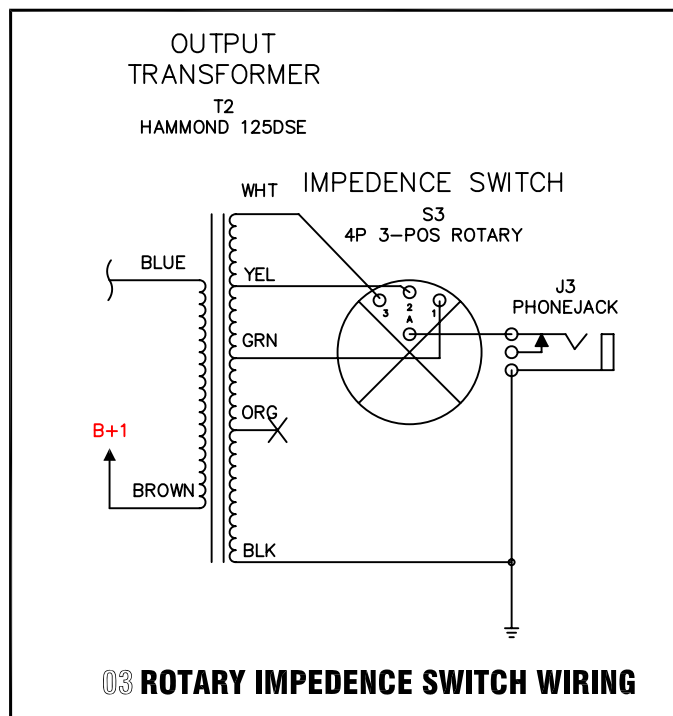


Revision	Description
05.11.23	Vari-Bias Revisions Mute Switch Is Now An Option Revised Detail 01 R/C Numbers Revised Detail 04 R/C Numbers
06.02.23	Added Parallel Octal Output Stage Re-numbered Valves Modified Variable Bias Detail Modified Mute Switch Detail Modified 6N1P Output Detail Modified Filament Hookup For Octal Socket Changed R24 to 10K Removed General Note 6



GENERAL NOTES:

- ALL RESISTORS 1/2W MINIMUM UNLESS OTHERWISE NOTED.
- ALL COUPLING CAPACITORS 250V OR GREATER.
- 47 μ F/350V ELECTROLYTIC POWER SUPPLY CAPACITOR VALUES/VOLTAGES ARE NOT CRITICAL. SUGGESTED VALUES: 20-50 μ F AT 350-500V.
- THE HAMMOND 269EX POWER TRANSFORMER IS USED IN THIS AMP. IT MAY BE REPLACED BY UNITS WITH THE FOLLOWING SPECIFICATIONS:
180-0-180V @ 65mA OR MORE SECONDARY B+ TAPS
6.3V @ 2.5A OR MORE FILAMENT TAPS
- THE HAMMOND 125DSE OUTPUT TRANSFORMER IS USED IN THIS AMP. IT MAY BE REPLACED BY UNITS WITH THE FOLLOWING SPECIFICATIONS:
SINGLE-ENDED OUTPUT
4000-5000 OHM PRIMARY IMPEDENCE
70mA OR MORE MAXIMUM D.C. BIAS
4, 8, AND 16 OHM SECONDARY TAPS



PROTOTYPE VOLTAGE READINGS										
Ref	Desc.	Pin 1	Pin 2	Pin 3	Pin 4	Pin 5	Pin 6	Pin 7	Pin 8	Pin 9
V1	6V6GTA	N/A	Filament	261.1V	255.8V	N/A	N/A	Filament	11.63V	N/A
V2	12AX7	259.5V	144.4V	145.7	Filament	Filament	144.7V	N/A	0.928V	Filament
V3	12AX7	146.2V	N/A	1.136V	Filament	Filament	177.8V	N/A	1.735V	Filament
		Mains = 124V	B+ = 273V	B+1 = 267V	B+2 = 259V	B+3 = 243V				

AS-BUILT VOLTAGE READINGS										
Ref	Desc.	Pin 1	Pin 2	Pin 3	Pin 4	Pin 5	Pin 6	Pin 7	Pin 8	Pin 9
V1										
V2					Filament	Filament				Filament
V3					Filament	Filament				Filament
		Mains =	B+ =	B+1 =	B+2 =	B+3 =				

Revision	Description
05.11.23	Vari-Bias Revisions Mute Switch Is Now An Option Revised Detail 01 R/C Numbers Revised Detail 04 R/C Numbers
06.02.23	Added Parallel Octal Output Stage Re-numberd Valves Modified Variable Bias Detail Modified Mute Switch Detail Modified 6N1P Output Detail Modified Filament Hookup For Octal Socket Changed R24 to 10K Removed General Note 6

