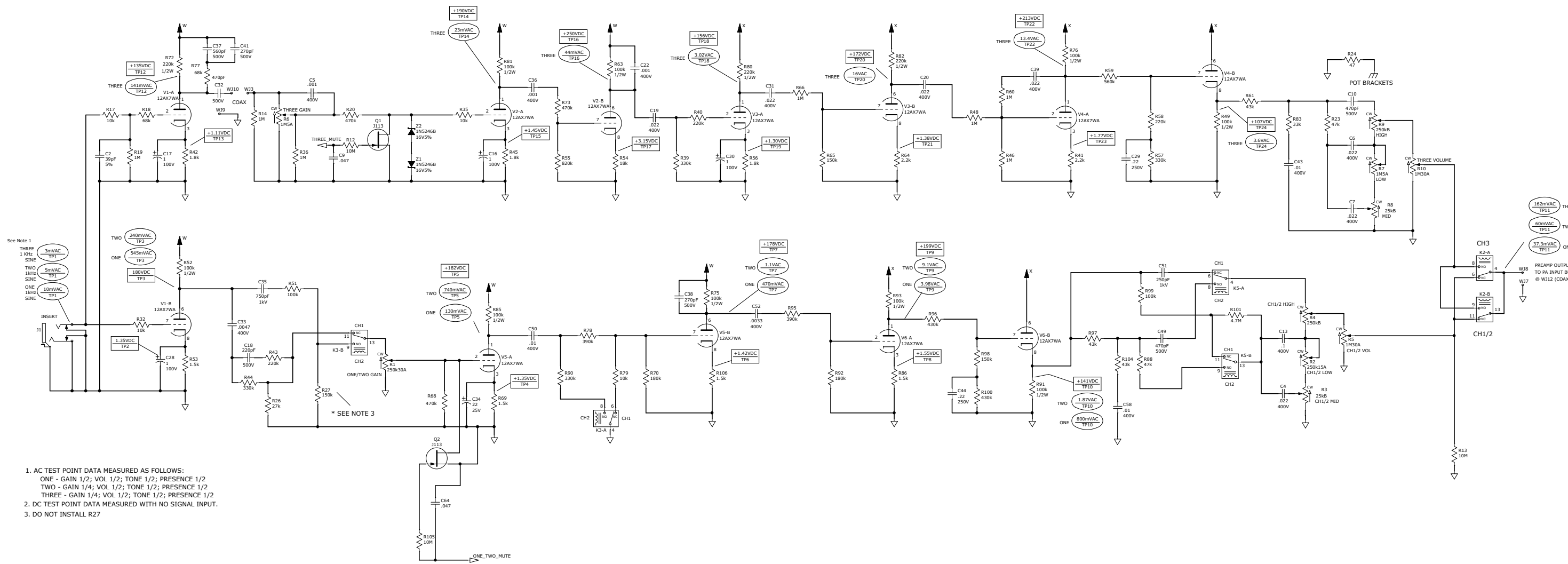


REVISIONS			
REV.	DESCRIPTION	DATE	APPROVED
A	PR1045	19-AUG-11	H B K
B	EC4924	27-SEP-11	H B K
C	EC4993	06-MAR-12	H B K
D	EC5047	07-MAY-12	H B K



See Note 1
 THREE 1 kHz SINE
 TWO 1 kHz SINE
 ONE 1 kHz SINE
 INSERT

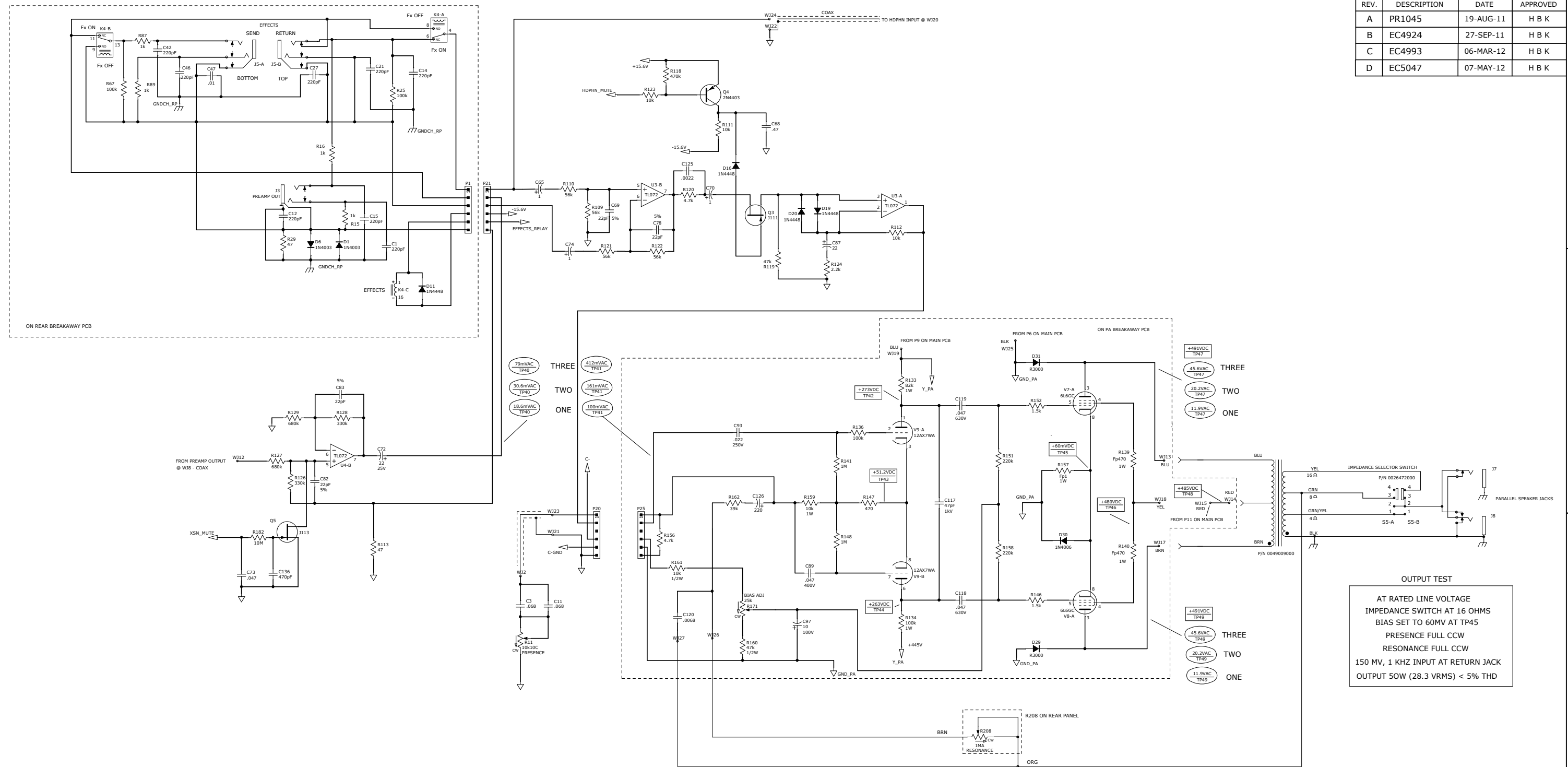
- AC TEST POINT DATA MEASURED AS FOLLOWS:
 ONE - GAIN 1/2; VOL 1/2; TONE 1/2; PRESENCE 1/2
 TWO - GAIN 1/4; VOL 1/2; TONE 1/2; PRESENCE 1/2
 THREE - GAIN 1/4; VOL 1/2; TONE 1/2; PRESENCE 1/2
- DC TEST POINT DATA MEASURED WITH NO SIGNAL INPUT.
- DO NOT INSTALL R27

- DO NOT STUFF
- THIS SCHEMATIC IS FOR PCB FABRICATION P/N 0079091000 AND PCB ASSEMBLY P/N 0079090000.
- ALL DIODES ARE 1N4448.
- ALL POLARIZED CAPACITORS IN uF, 20%, 50V MINIMUM.
- ALL UNPOLARIZED CAPACITORS IN uF, 10% OR BETTER; 50V MINIMUM. (POWER SUPPLY BYPASS CAPACITORS ARE 20%).
- ALL RESISTORS IN OHMS, 5%; 1/4W.

NOTES: (UNLESS OTHERWISE NOTED)

THIS DOCUMENT CONTAINS INFORMATION OF A PROPRIETARY NATURE TO FENDER MUSICAL INSTRUMENTS AND IS SUBMITTED TO YOU IN CONFIDENCE AND SHALL NOT BE DISCLOSED OR TRANSMITTED TO OTHERS WITHOUT AUTHORIZATION FROM FENDER MUSICAL INSTRUMENTS.		Fender MUSICAL INSTRUMENTS Corona, CA U.S.A.	
CHECKED BY: _____	DATE: _____	TITLE: SERVICE DIAGRAM, COMBINED (schematic) EVH 5150 III 50W MAIN PCB ASSY	
APPROVED BY: _____	DATE: _____	SIZE: D	DRAWING NUMBER: 0079092000
DRAWN: H.KAPLAN	ENGR: H.KAPLAN	RELEASE DATE: 09-SEP-11	REV. D
DATABASE FILE: Z1045S1.SCH		SHEET: 1 OF 5	

REVISIONS			
REV.	DESCRIPTION	DATE	APPROVED
A	PR1045	19-AUG-11	H B K
B	EC4924	27-SEP-11	H B K
C	EC4993	06-MAR-12	H B K
D	EC5047	07-MAY-12	H B K



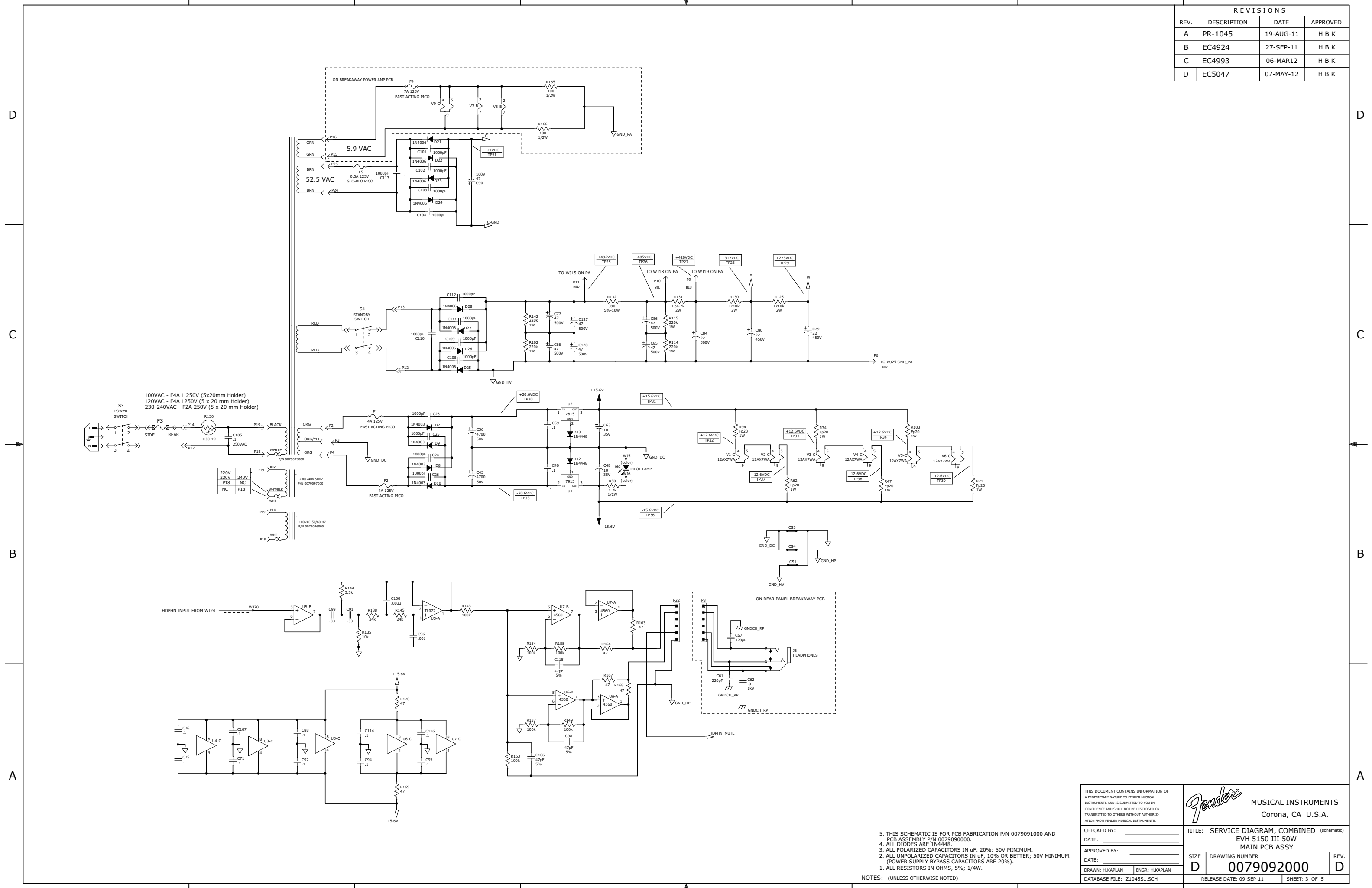
OUTPUT TEST
 AT RATED LINE VOLTAGE
 IMPEDANCE SWITCH AT 16 OHMS
 BIAS SET TO 60MV AT TP45
 PRESENCE FULL CCW
 RESONANCE FULL CCW
 150 MV, 1 KHZ INPUT AT RETURN JACK
 OUTPUT 50W (28.3 VRMS) < 5% THD

- THIS SCHEMATIC IS FOR PCB FABRICATION P/N 0079091000 AND PCB ASSEMBLY P/N 0079090000.
- ALL DIODES ARE 1N4448.
- ALL POLARIZED CAPACITORS IN uF, 20%; 50V MINIMUM.
- ALL UNPOLARIZED CAPACITORS IN uF, 10% OR BETTER; 50V MINIMUM. (POWER SUPPLY BYPASS CAPACITORS ARE 20%).
- ALL RESISTORS IN OHMS, 5%; 1/4W.

NOTES: (UNLESS OTHERWISE NOTED)

THIS DOCUMENT CONTAINS INFORMATION OF A PROPRIETARY NATURE TO FENDER MUSICAL INSTRUMENTS AND IS SUBMITTED TO YOU IN CONFIDENCE AND SHALL NOT BE DISCLOSED OR TRANSMITTED TO OTHERS WITHOUT AUTHORIZATION FROM FENDER MUSICAL INSTRUMENTS.		MUSICAL INSTRUMENTS Corona, CA U.S.A.	
CHECKED BY: _____	DATE: _____		
APPROVED BY: _____	DATE: _____	SIZE: _____	DRAWING NUMBER: 0079092000
DRAWN: H.KAPLAN	ENGR: H.KAPLAN	RELEASE DATE: 09-SEP-11	SHEET: 2 OF 5

REVISIONS			
REV.	DESCRIPTION	DATE	APPROVED
A	PR-1045	19-AUG-11	H B K
B	EC4924	27-SEP-11	H B K
C	EC4993	06-MAR12	H B K
D	EC5047	07-MAY-12	H B K



5. THIS SCHEMATIC IS FOR PCB FABRICATION P/N 0079091000 AND PCB ASSEMBLY P/N 0079090000.
 4. ALL DIODES ARE 1N4448S.
 3. ALL POLARIZED CAPACITORS IN uF, 20%; 50V MINIMUM.
 2. ALL UNPOLARIZED CAPACITORS IN uF, 10% OR BETTER; 50V MINIMUM. (POWER SUPPLY BYPASS CAPACITORS ARE 20%).
 1. ALL RESISTORS IN OHMS, 5%; 1/4W.

NOTES: (UNLESS OTHERWISE NOTED)

THIS DOCUMENT CONTAINS INFORMATION OF A PROPRIETARY NATURE TO FENDER MUSICAL INSTRUMENTS AND IS SUBMITTED TO YOU IN CONFIDENCE AND SHALL NOT BE DISCLOSED OR TRANSMITTED TO OTHERS WITHOUT AUTHORIZATION FROM FENDER MUSICAL INSTRUMENTS.

Fender MUSICAL INSTRUMENTS
 Corona, CA U.S.A.

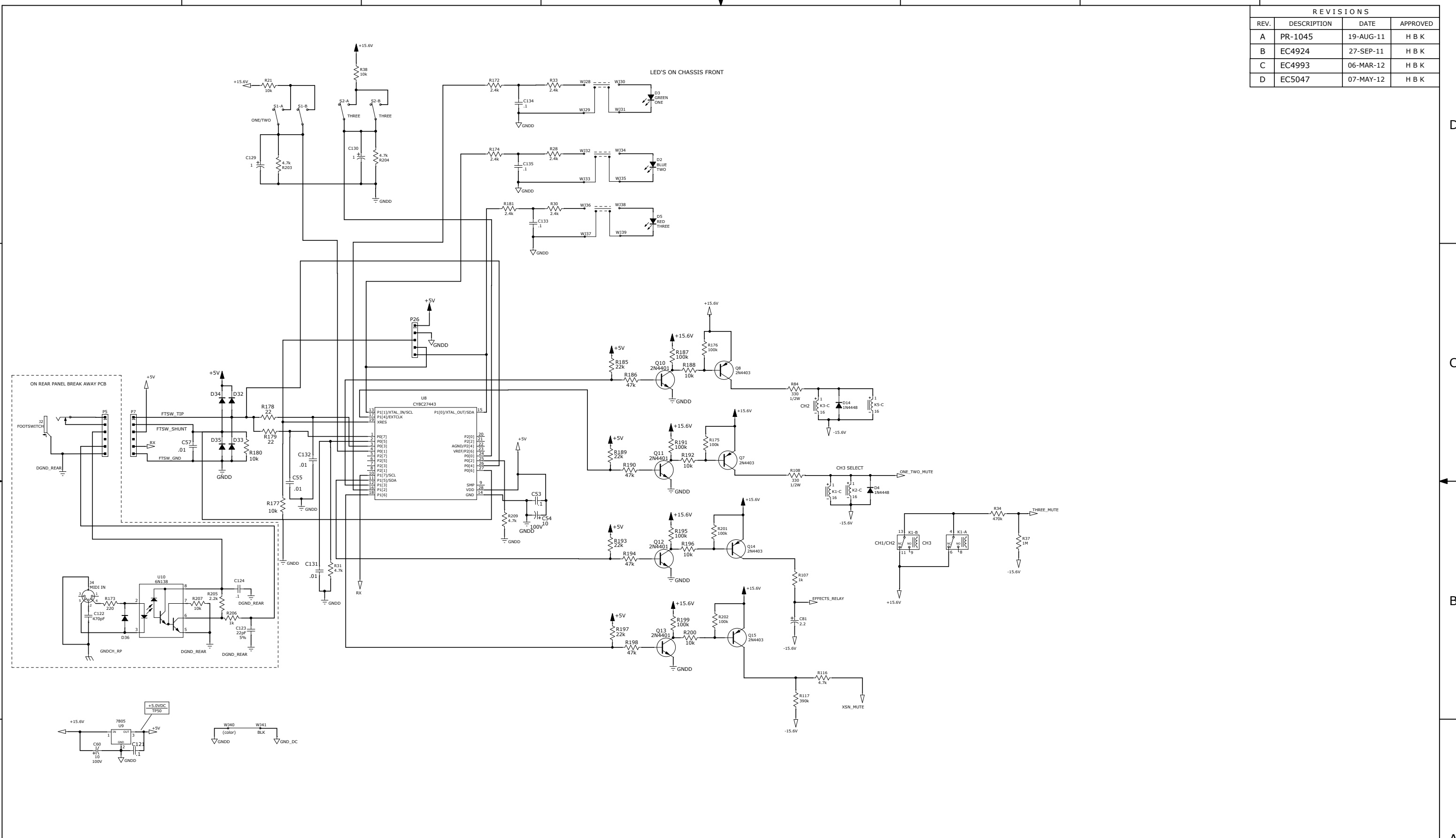
CHECKED BY: _____ DATE: _____
 APPROVED BY: _____ DATE: _____
 DRAWN: H.KAPLAN ENGR: H.KAPLAN DATABASE FILE: Z1045S1.SCH

TITLE: SERVICE DIAGRAM, COMBINED (schematic)
 EVH 5150 III 50W MAIN PCB ASSY

SIZE	DRAWING NUMBER	REV.
D	0079092000	D

RELEASE DATE: 09-SEP-11 SHEET: 3 OF 5

REVISIONS			
REV.	DESCRIPTION	DATE	APPROVED
A	PR-1045	19-AUG-11	H B K
B	EC4924	27-SEP-11	H B K
C	EC4993	06-MAR-12	H B K
D	EC5047	07-MAY-12	H B K



- 5. THE SCHEMATIC FOR PCB FABRICATION P/N 0079091000 AND PCB ASSEMBLY 0079090000.
 - 4. ALL DIODES ARE 1N4448.
 - 3. ALL POLARIZED CAPACITORS IN uF, 20%, 50V MINIMUM. (POWER SUPPLY BYPASS CAPACITORS ARE 20%)
 - 2. ALL UNPOLARIZED CAPACITORS IN uF, 10% OR BETTER, 50V MINIMUM. (POWER SUPPLY BYPASS CAPACITORS ARE 20%)
 - 1. ALL RESISTORS IN OHMS, 5%, 1/4W
- NOTES: (UNLESS OTHERWISE NOTED)

THIS DOCUMENT CONTAINS INFORMATION OF A PROPRIETARY NATURE TO FENDER MUSICAL INSTRUMENTS AND IS SUBMITTED TO YOU IN CONFIDENCE AND SHALL NOT BE DISCLOSED OR TRANSMITTED TO OTHERS WITHOUT AUTHORIZATION FROM FENDER MUSICAL INSTRUMENTS		Fender MUSICAL INSTRUMENTS Corona, CA U.S.A.	
CHECKED BY: _____		TITLE: SERVICE DIAGRAM, COMBINED (PCB Assy)	
DATE: _____		EVH 5150 III 50W MAIN PCB ASSY	
APPROVED BY: _____		SIZE: D	DRAWING NUMBER: 0079092000
DATE: _____		REV: D	REV: D
DRAWN: H. KAPLAN ENGR: H. KAPLAN		RELEASE DATE: 09-SEP-11	SHEET 4 OF 5
DATABASE FILE: 1045S1.SCH			