

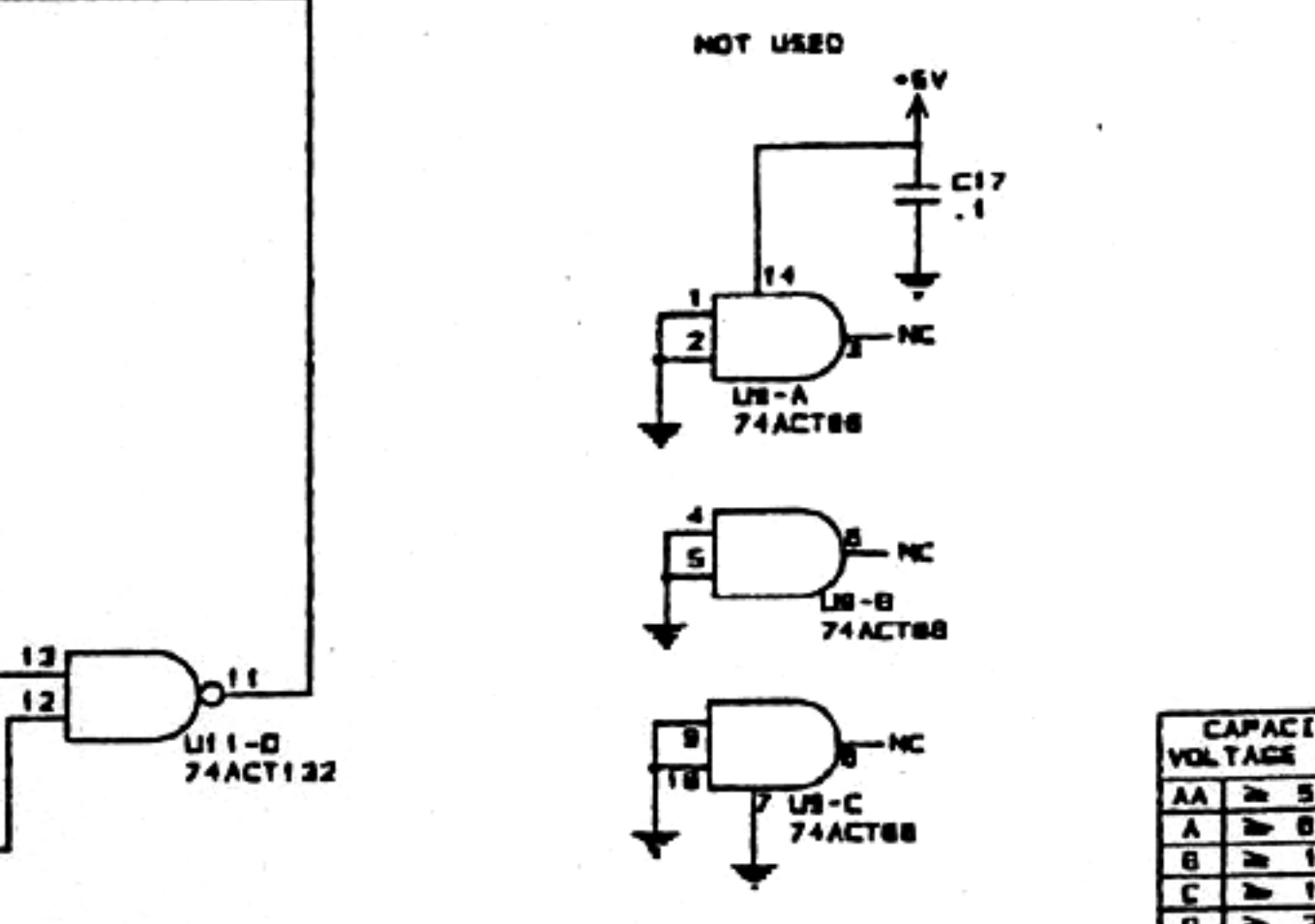
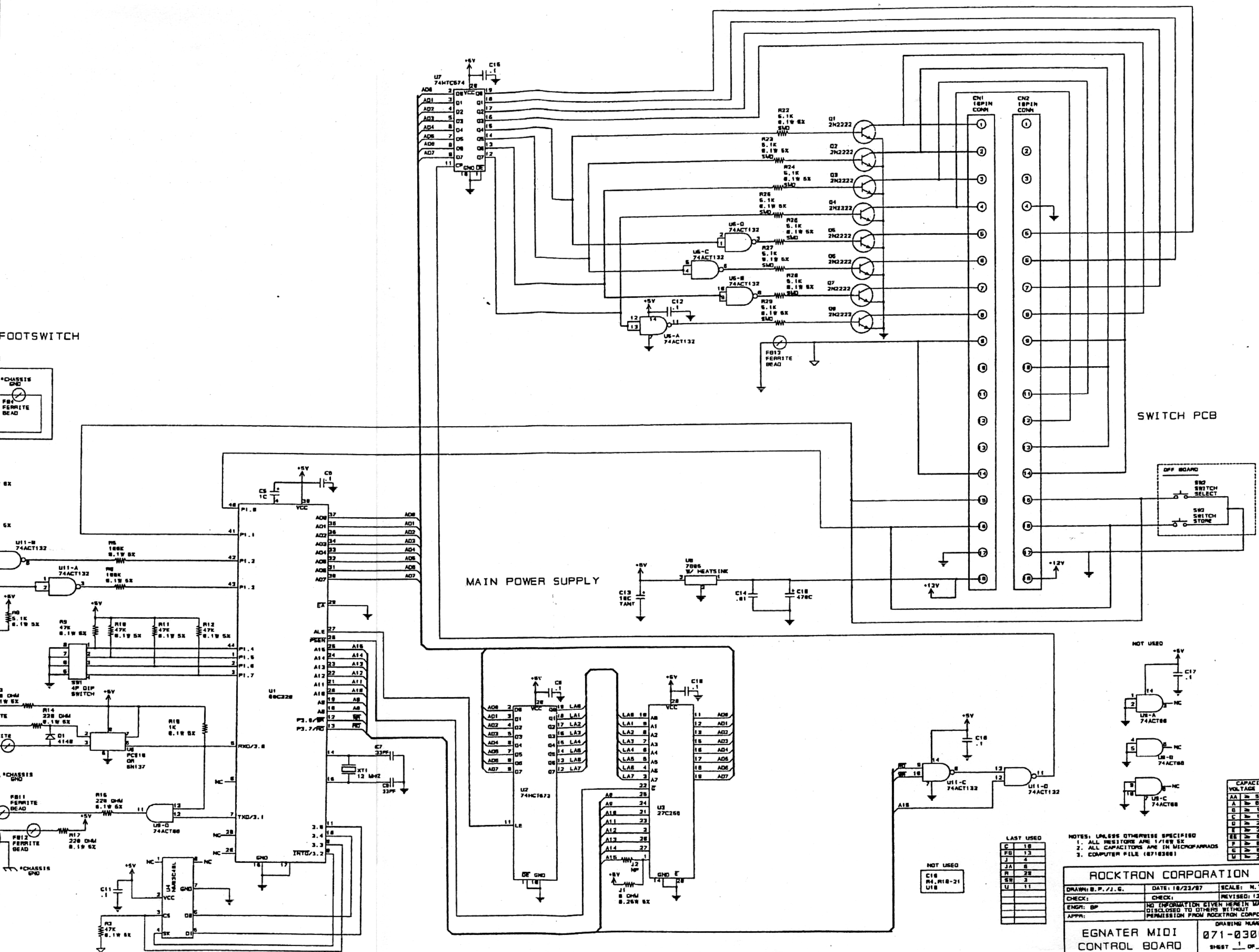
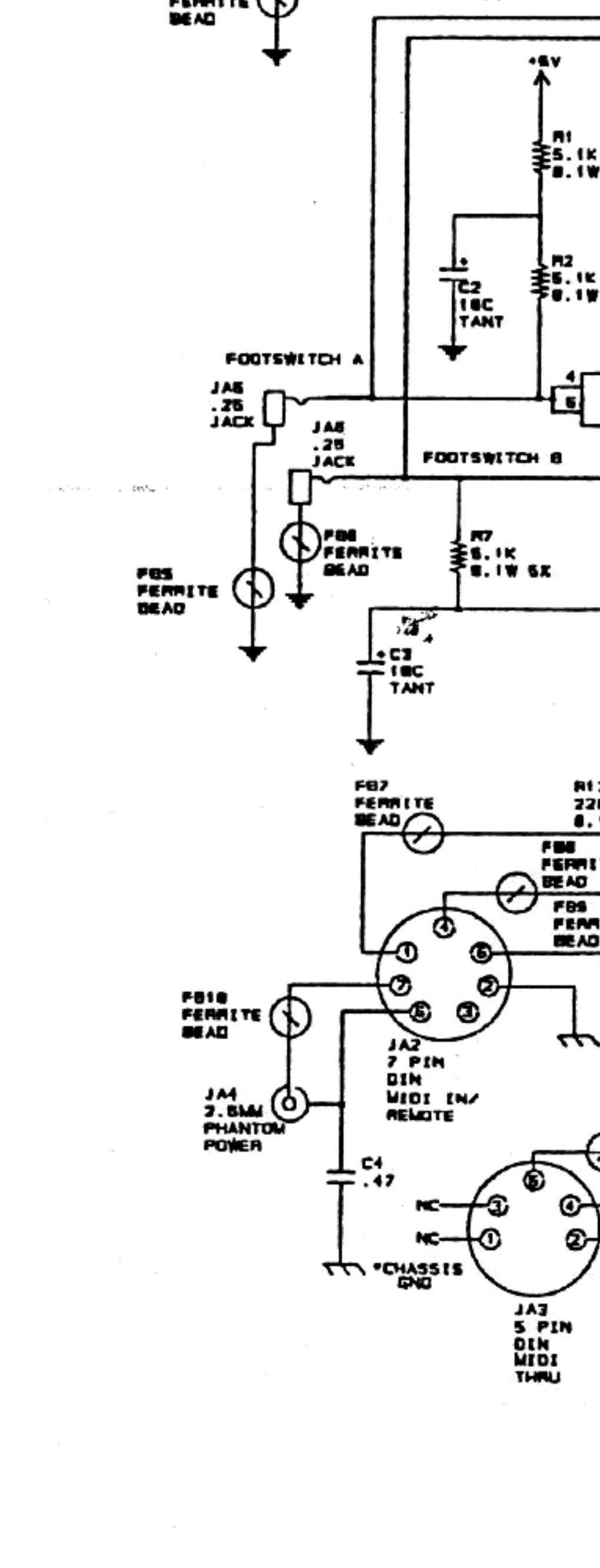
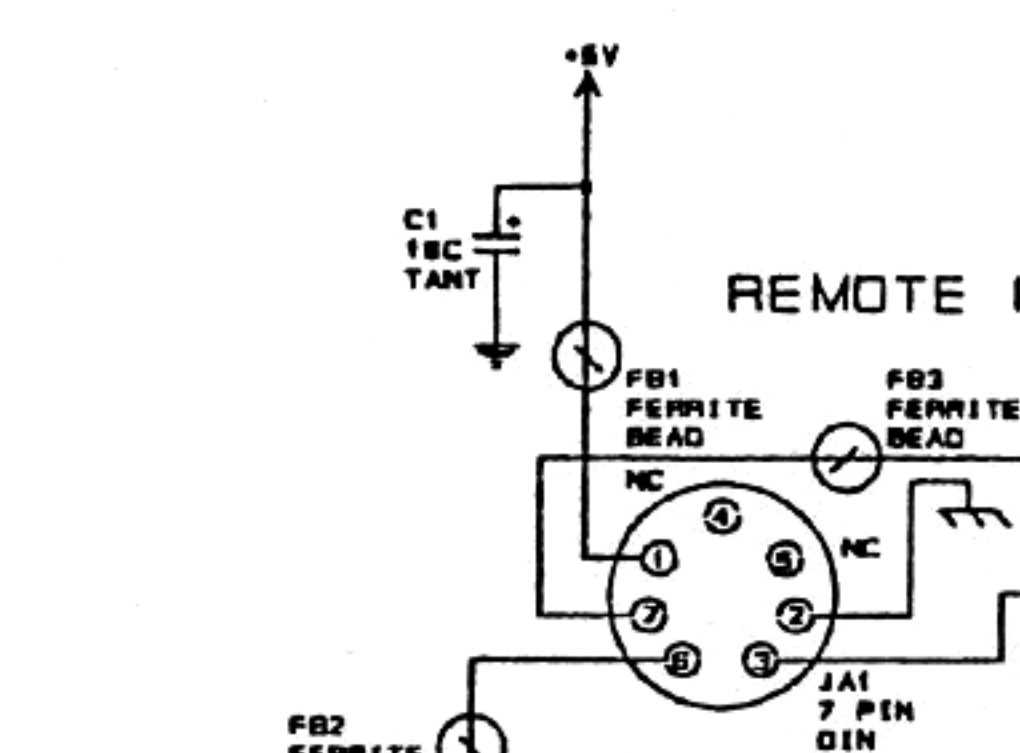
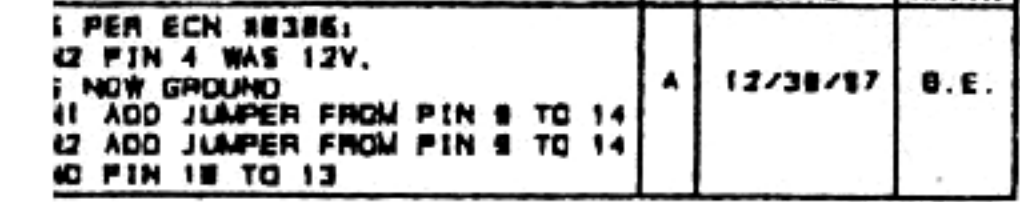
| LAST USED | |
|-----------|----|
| C | 65 |
| CN | 26 |
| CR | 4 |
| D | 6 |
| J | 6 |
| JA | 8 |
| SW | 4 |
| TB | 7 |
| U | 12 |
| VH | 25 |

| CAPACITOR VOLTAGE CHART | |
|-------------------------|---------|
| AA | ≥ 6.3V |
| A | ≥ 6.3V |
| B | ≥ 10V |
| C | ≥ 15V |
| D | ≥ 25V |
| E | ≥ 35V |
| F | ≥ 50V |
| G | ≥ 60V |
| H | ≥ 75V |
| J | ≥ 100V |
| K | ≥ 150V |
| L | ≥ 250V |
| M | ≥ 350V |
| N | ≥ 500V |
| V | ≥ 500V |
| Z | ≥ 1000V |

NOTES UNLESS OTHERWISE SPECIFIED:
 1. ALL RESISTORS ARE IN OHMS 1/2W 5X
 2. ALL CAPACITORS ARE IN MICRO FARRAD
 3. COMPUTER CODE (0710295)

ROCKTRON CORPORATION
 DRAWN: J.G./W.B. DATE: 10/23/97 SCALE: N.T.S.
 CHECK: _____ CHECK: _____ REVISED: 5/6/98
 ENGR: _____ NO INFORMATION GIVEN HEREIN MAY BE DISCLOSED TO OTHERS WITHOUT PERMISSION FROM ROCKTRON CORPORATION
 APPR: _____
 EGNATER IE4 GUITAR PREAMP (MAIN PCB & INPUTS) DRAWING NUMBER: 071-0295C
 SHEET 1 OF 2

| REVISION | DATE | APPR. |
|--|----------|-------|
| 1 PER ECN #8386; 2 PIN 4 WAS 12V. 3 NOW GROUND 4 ADD JUMPER FROM PIN 8 TO 14 5 ADD JUMPER FROM PIN 8 TO 14 6 PIN 18 TO 13 | 12/28/87 | B.E. |



| CAPACITOR VOLTAGE CHA | |
|-----------------------|------|
| AA | 5.5V |
| A | 6.3V |
| B | 16V |
| C | 18V |
| D | 25V |
| E | 25V |
| EE | 25V |
| F | 33V |
| G | 50V |
| H | 50V |
| I | 250V |

NOTES: UNLESS OTHERWISE SPECIFIED
1. ALL RESISTORS ARE 1/16W 5%
2. ALL CAPACITORS ARE IN MICROFARADS
3. COMPUTER FILE #67183861

ROCKTRON CORPORATION
DRAWN: B.P./J.G. DATE: 12/23/87 SCALE: N.T.S.
CHECK: CHECK: REVISION: 12/38
ENGR: BP NO INFORMATION GIVEN HEREIN MAY BE
DISCLOSED TO OTHERS WITHOUT PERMISSION FROM ROCKTRON CORPORATION
APPR: DRAWING NUMBER: EGNATER MIDI CONTROL BOARD 071-0300A
SHEET 1 OF 1