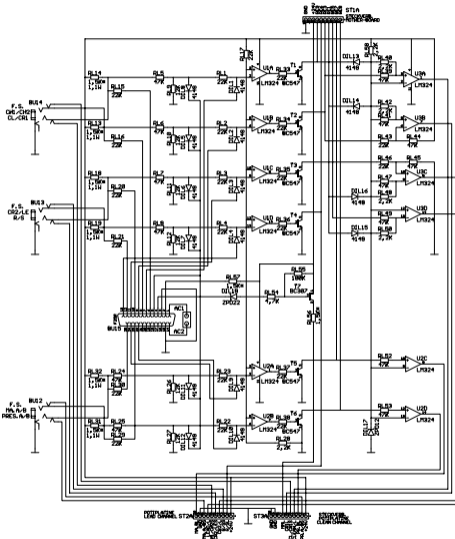


REAR ADJUSTMENT:
 10-15% RANGE BETWEEN:
 A AND B 1,10-1,40
 B AND C 1,10-1,40

Fuse Fuse
 250 Volts: 2,5 AT 3,15 AT
 117 Volts: 5 AT 6,3 AT

ENGL
 SAUJAE 120
 TYPE E618



ENGL
SAVAGE 120
TYPE E610
control circuit

ENGL Gerätebau GmbH		Bestimmung
		610-2
Zeichn.-Nr.	Nr.	Blatt
		2/2