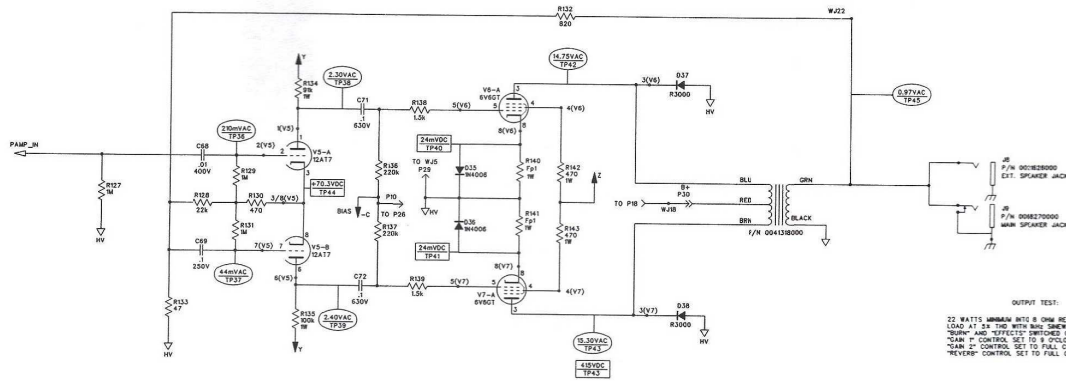
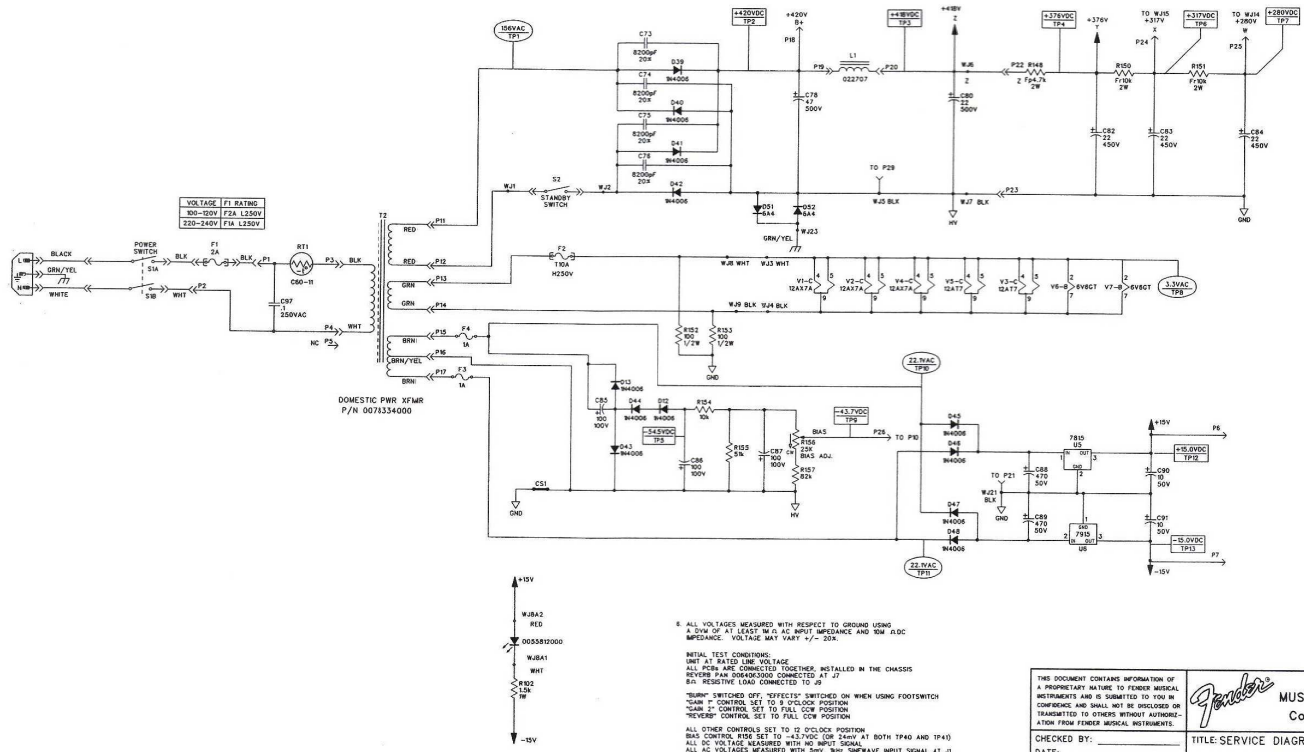
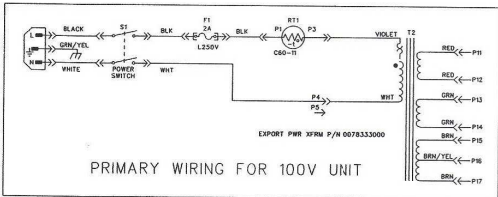
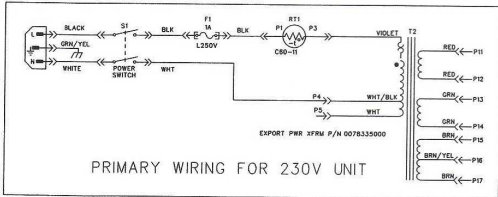
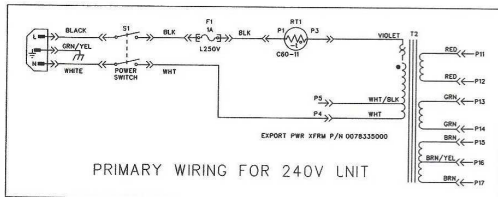


REVISIONS			
REV.	DESCRIPTION	DATE	APPROVED
A	PR904	08-JAN-10	LEL



OUTPUT TEST:  
 22 WATT MINIMUM INTO 8 OHM RESISTIVE  
 LOAD AT 20 HZ WITH 50% SINEWAVE INPUT AT J1.  
 "MUSIC" AND "EFFECTS" SWITCHES OFF ON FOOTSWITCH  
 "MUSIC" CONTROL SET TO 8 O'CLOCK POSITION  
 "MUSIC" CONTROL SET TO FULL CCW POSITION  
 "REVERSE" CONTROL SET TO FULL CCW POSITION



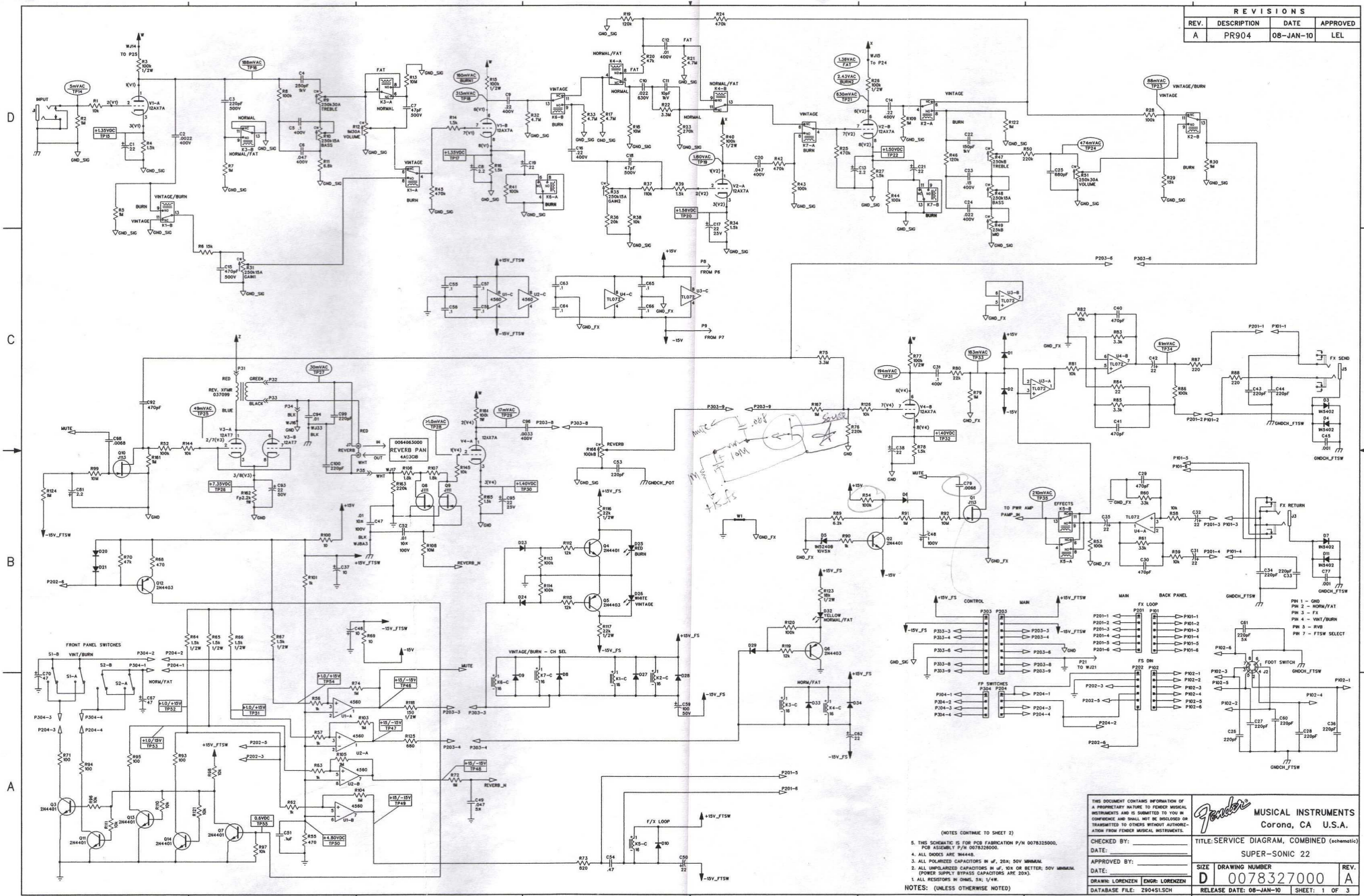
ALL VOLTAGES MEASURED WITH RESPECT TO GROUND USING  
 A SWG OF AT LEAST 10 MΩ AC INPUT IMPEDANCE AND 50Ω RLOC  
 IMPEDANCE. VOLTAGE MAY VARY +/- 20%.

INITIAL TEST CONDITIONS:  
 UNIT AT RATED LINE VOLTAGE  
 "MUSIC" AND "EFFECTS" SWITCHES OFF, INSTALLED IN THE CHASSIS  
 "REVERSE" CONTROL SET TO FULL CCW POSITION  
 "MUSIC" CONTROL SET TO FULL CCW POSITION  
 ALL OTHER CONTROLS SET TO 12 O'CLOCK POSITION  
 "MUSIC" CONTROL SET TO 4.5 O'CLOCK (OR 2.00V AT BOTH TP40 AND TP41)  
 ALL DC VOLTAGES MEASURED WITH 500Ω SWG SINEWAVE INPUT SIGNAL AT J1

NOTES: (CONT. FROM SHEET 1)

THIS DOCUMENT CONTAINS INFORMATION OF A PROPRIETARY NATURE TO FENDER MUSICAL INSTRUMENTS AND IS LOANED TO YOU IN CONFIDENCE AND SHALL NOT BE REPRODUCED OR TRANSMITTED IN ANY MANNER WITHOUT AUTHORIZATION FROM FENDER MUSICAL INSTRUMENTS.		Fender MUSICAL INSTRUMENTS Corona, CA U.S.A.	
CHECKED BY: _____	DATE: _____	TITLE: SERVICE DIAGRAM, COMBINED (Schematic)	REV. _____
APPROVED BY: _____	DATE: _____	SUPER-SONIC 22	REV. _____
DRAWN: LORENZEN	ENGR: LORENZEN	SIZE: DRAWING NUMBER D 0078327000	REV. _____
DATABASE FILE: Z00451SCH	RELEASE DATE: 08-JAN-10	SHEET: 2 OF 3	REV. _____

REVISIONS			
REV.	DESCRIPTION	DATE	APPROVED
A	PR904	08-JAN-10	LEL



(NOTES CONTINUE TO SHEET 2)

- THIS SCHEMATIC IS FOR PCB FABRICATION P/N 007832000. FOR ASSEMBLY P/N 007832000.
- ALL DIMENSIONS ARE IN INCHES.
- ALL POLARIZED CAPACITORS IN  $\mu$ F, 20% SOV MINIMUM.
- ALL UNPOLARIZED CAPACITORS IN  $\mu$ F, 50% OR BETTER, SOV MINIMUM. POWER SUPPLY BYPASS CAPACITORS ARE 20%.
- ALL RESISTORS IN OHMS, 5% 1/4W.

NOTES: (UNLESS OTHERWISE NOTED)

<p>THIS DOCUMENT CONTAINS INFORMATION OF A PROPRIETARY NATURE TO FENDER MUSICAL INSTRUMENTS AND IS SUBMITTED TO YOU IN CONFIDENCE AND SHALL NOT BE DISCLOSED OR TRANSMITTED TO OTHERS WITHOUT AUTHORIZATION FROM FENDER MUSICAL INSTRUMENTS.</p>		<p><b>Fender</b> MUSICAL INSTRUMENTS Corona, CA U.S.A.</p>	
CHECKED BY:	DATE:	TITLE: SERVICE DIAGRAM, COMBINED (enhanced)	REV.:
APPROVED BY:	DATE:	SIZE: D	DRAWING NUMBER: 0078327000
DRAWN: LORENZEN	ENGR: LORENZEN	RELEASE DATE: 08-JAN-10	SHEET: 1 OF 3
DATABASE FILE: Z90451.SCH			