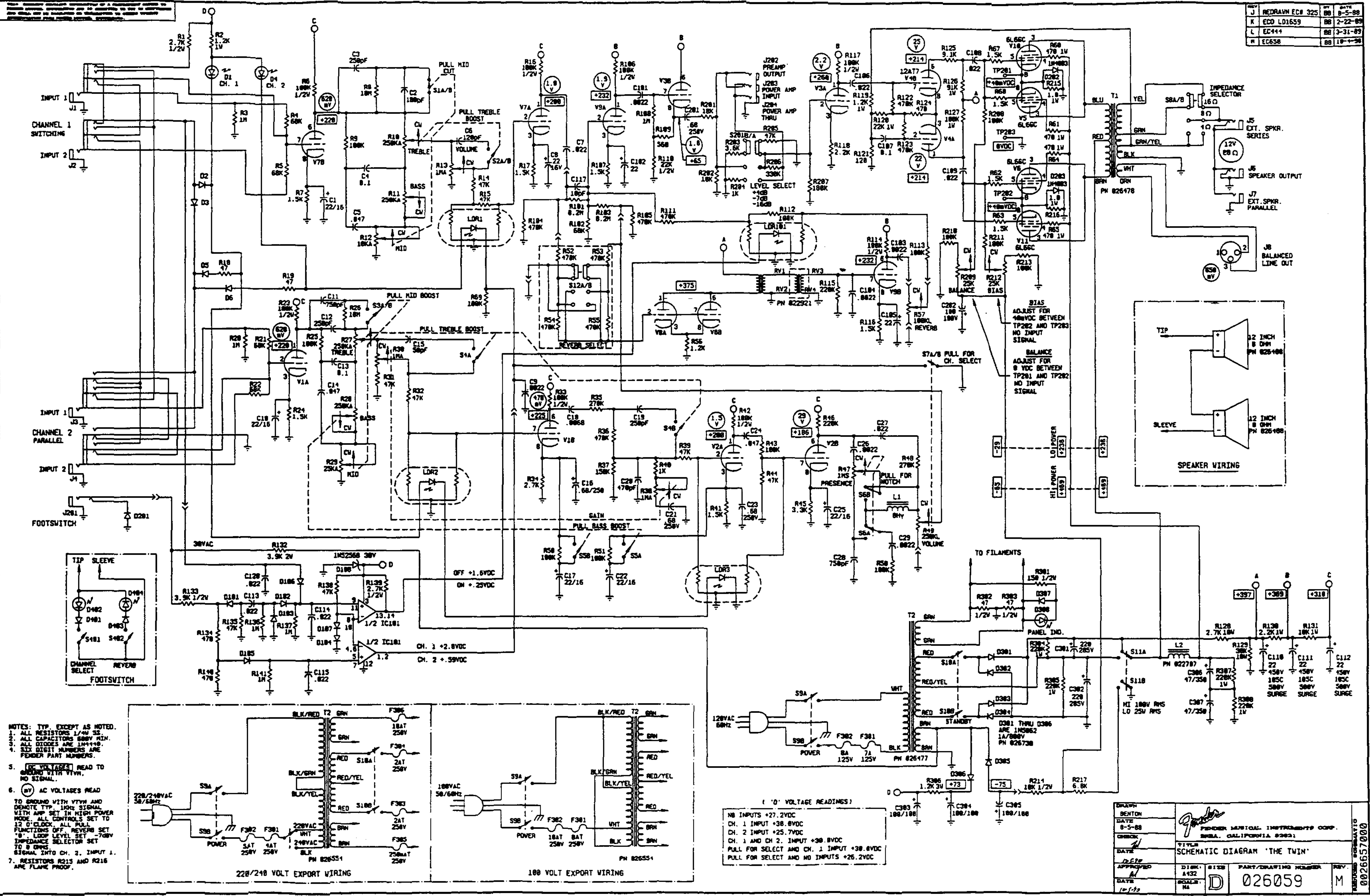
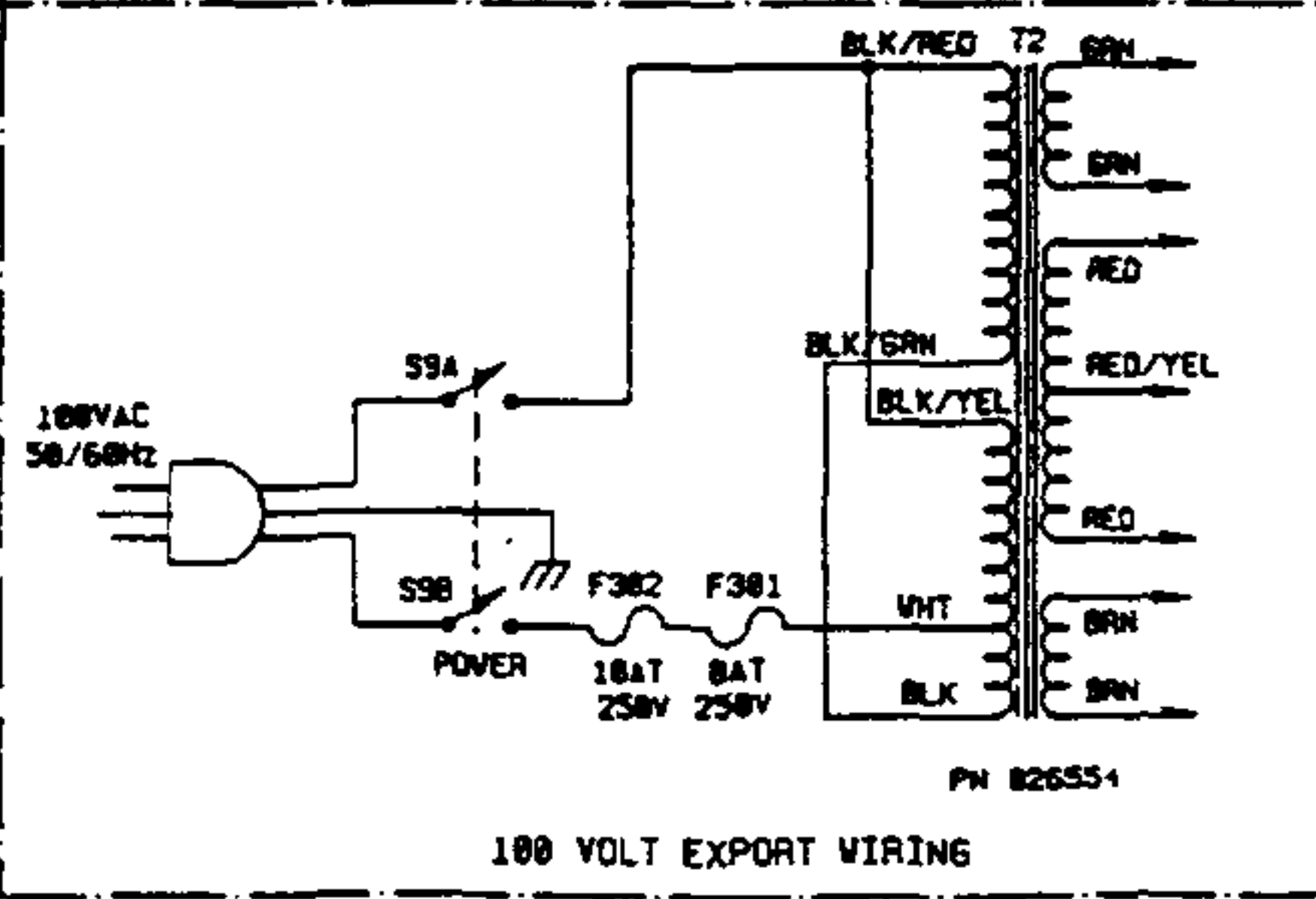
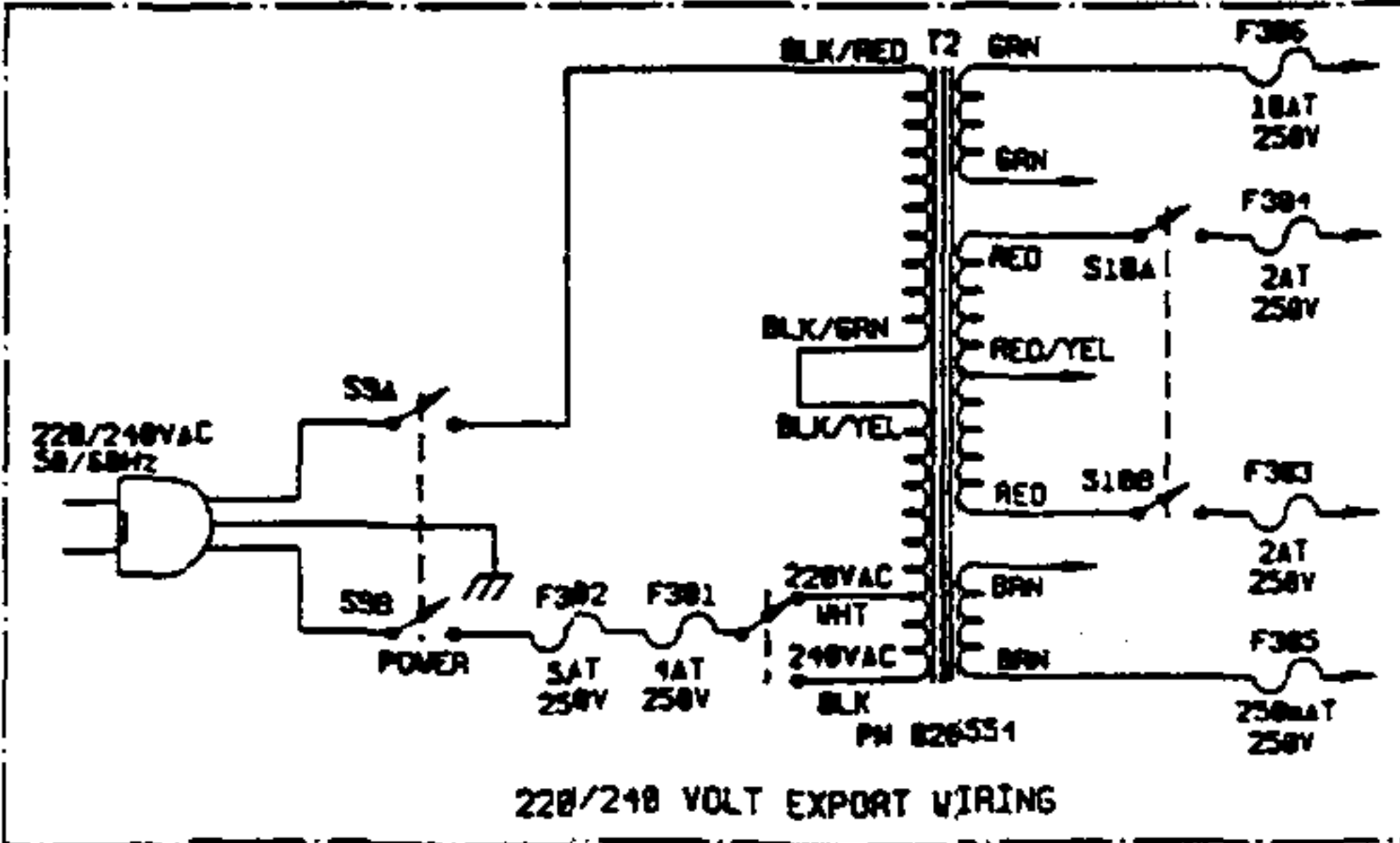


REV	J	REDRAWN ECR 325	BY	BB	DATE
	K	ECO L01659	BY	BB	2-22-89
	L	EC444	BY	BB	3-31-89
	M	EC658	BY	BB	10-1-90



- NOTES: TYP. EXCEPT AS NOTED.
1. ALL RESISTORS 1/4W 5%. ALL CAPACITORS 500V MIN.
 2. ALL DIODES ARE 1N4001.
 3. ALL DIODES ARE 1N4001.
 4. SIZE DIGIT NUMBERS ARE FENDER PART NUMBERS.
 5. [DC VOLTAGE] READ TO GROUND WITH VTM. NO SIGNAL.
 6. [AC VOLTAGE] READ TO GROUND WITH VTM. NO SIGNAL.
 7. RESISTORS R215 AND R216 ARE FLAME PROOF.



(DC VOLTAGE READINGS)

NO INPUTS +27.2VDC
 CH. 1 INPUT +38.8VDC
 CH. 2 INPUT +25.7VDC
 CH. 1 AND CH. 2 INPUT +38.8VDC
 PULL FOR SELECT AND CH. 1 INPUT +38.8VDC
 PULL FOR SELECT AND NO INPUTS +26.2VDC

DRAWN	BENTON	DATE	8-5-88
CHECKED		TITLE	SCHEMATIC DIAGRAM 'THE TWIN'
DATE		DRAWN BY	D
APPROVED		PART/DRAWING NUMBER	026059
DATE		REV	M