

FENDER MODEL

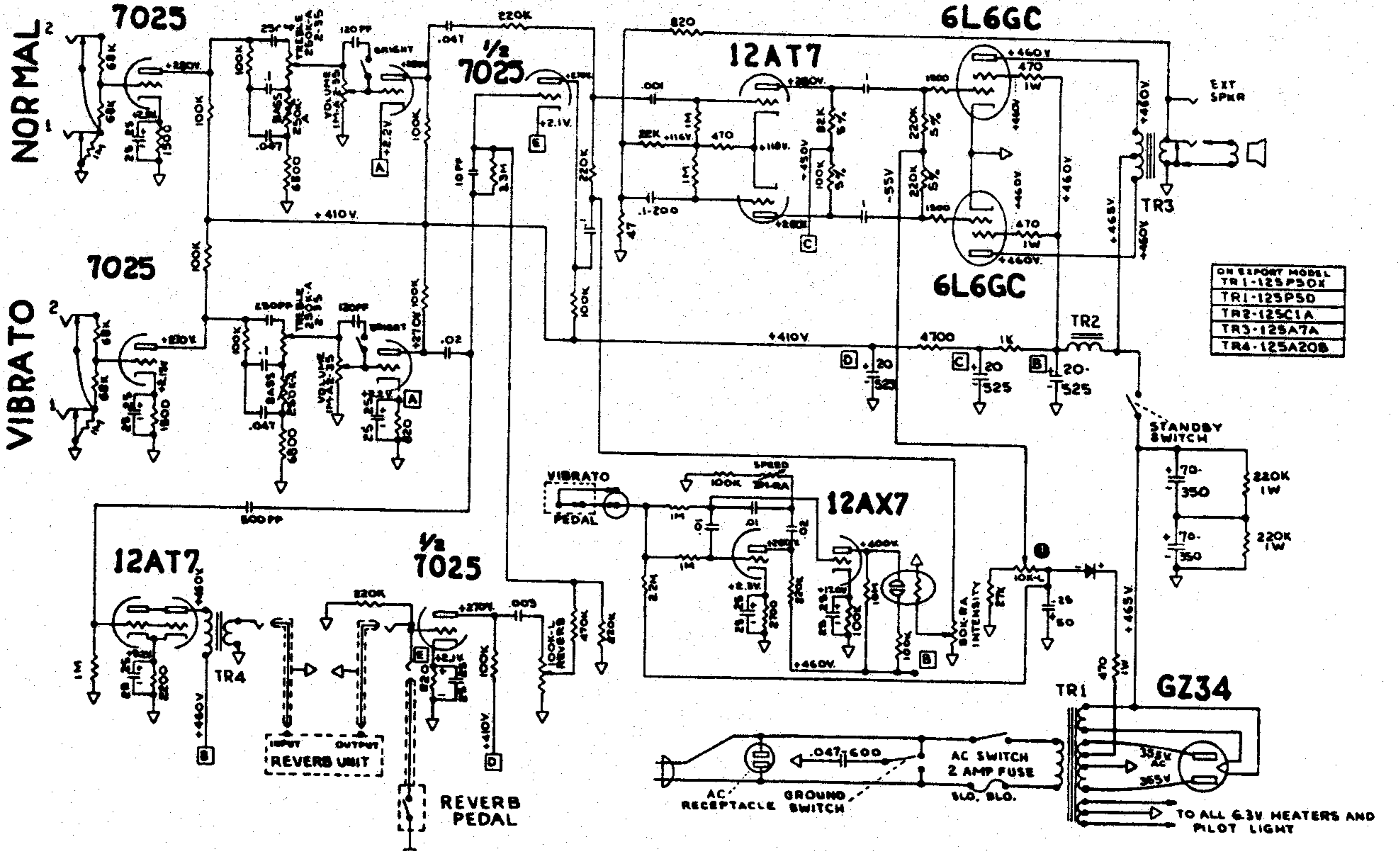
"VIBROVERB AMP AB 763" SCHEMATIC

NOTICE

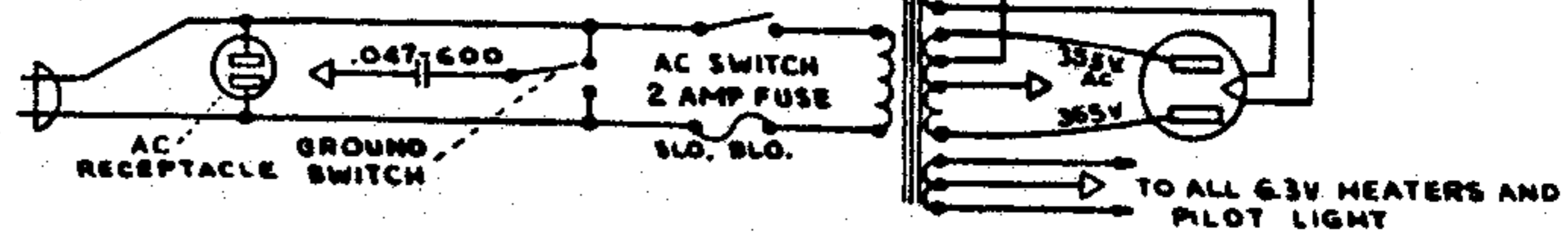
THIS PRODUCT MANUFACTURED UNDER ONE OR MORE OF THE FOLLOWING U.S. PATENTS: #2817708, #2913481, 102859 / PATENTS PENDING

C - FD

- 1 - VOLTAGES READ TO GROUND WITH ELECTRONIC VOLTMETER. VALUES SHOWN + OR - 20%
- 2 - ALL RESISTORS 1/2 WATT, 10% TOLERANCE IF NOT SPECIFIED
- 3 - ALL CAPACITORS AT LEAST 400VOLT RATING IF NOT SPECIFIED



ON REPORT MODEL
TR1-125P50X
TR1-125P5D
TR2-125C1A
TR3-125A7A
TR4-125A20B



FENDER MODEL

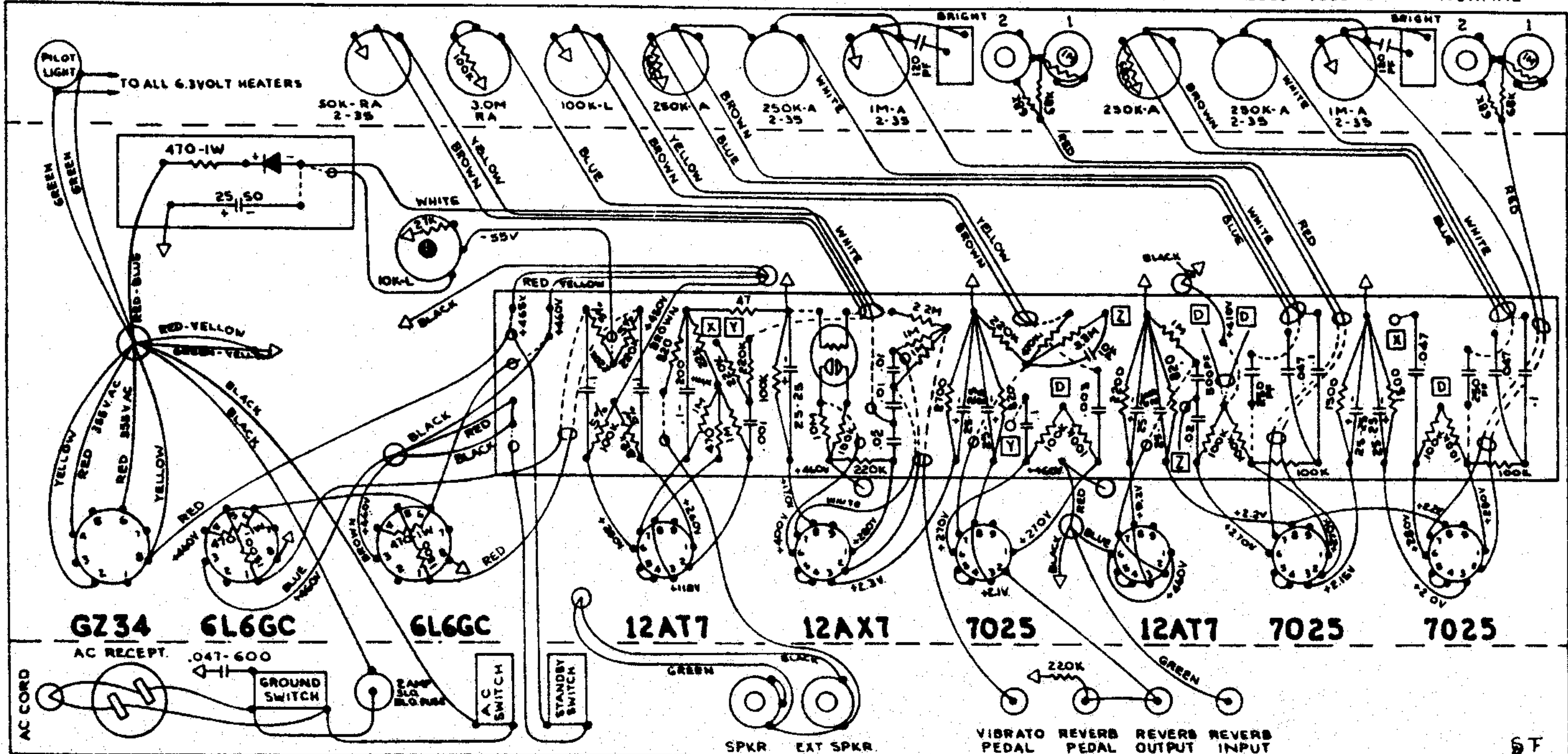
"VIBROVERB AMP AB763" LAYOUT

NOTICE

VOLTAGES READ TO GROUND WITH ELECTRONIC VOLTMETER VALUES SHOWN + OR - 20%.

C-FD

INTENSITY SPEED REVERB BASS TREBLE VOLUME VIBRATO BASS TREBLE VOLUME NORMAL



NOTE: ALL RESISTORS 1/2 WATT 10% TOLERANCE, IF NOT SPECIFIED.

NOTE: ALL CAPACITORS AT LEAST 400 VOLT RATING IF NOT SPECIFIED.