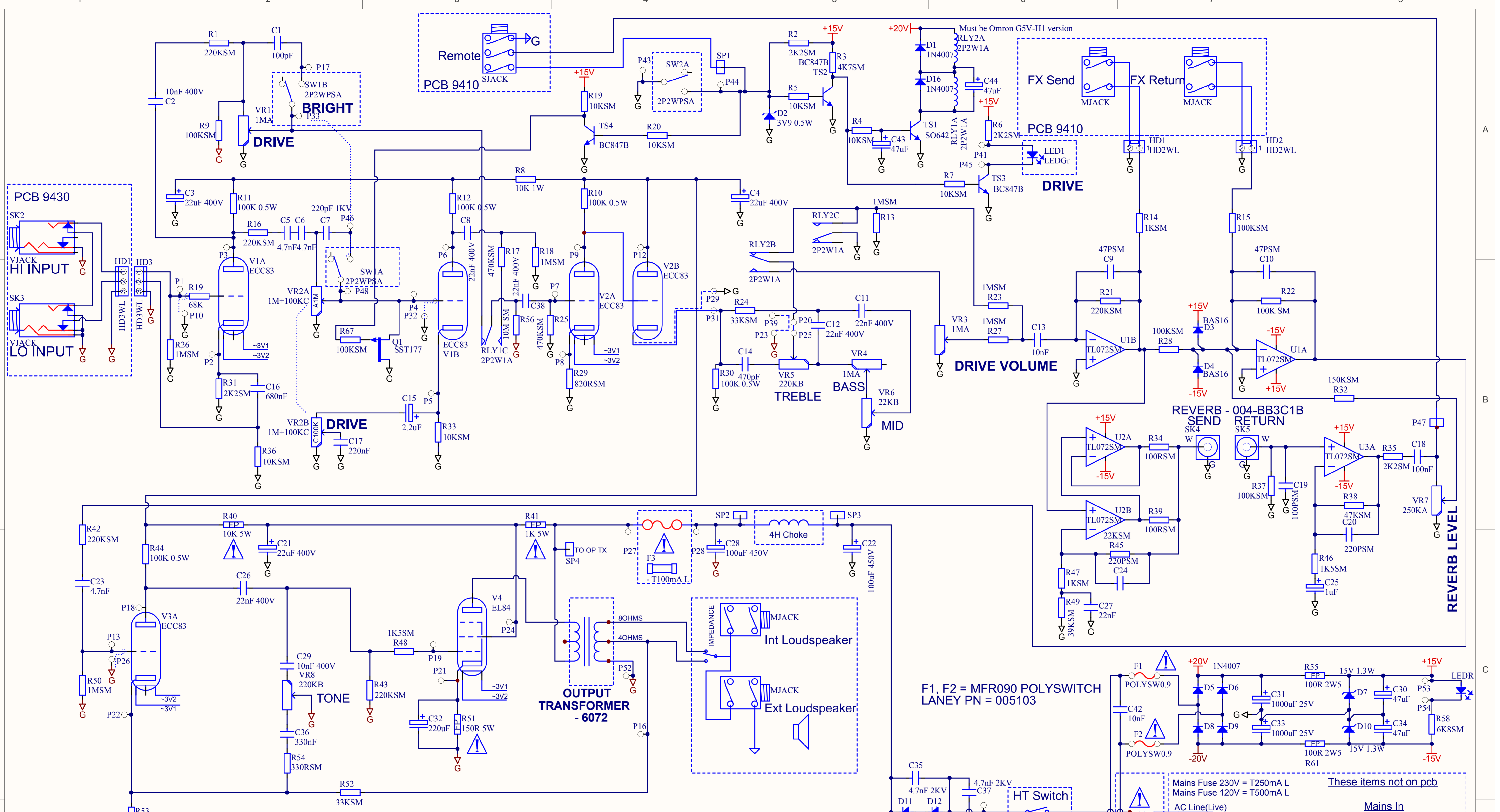


L5T-112

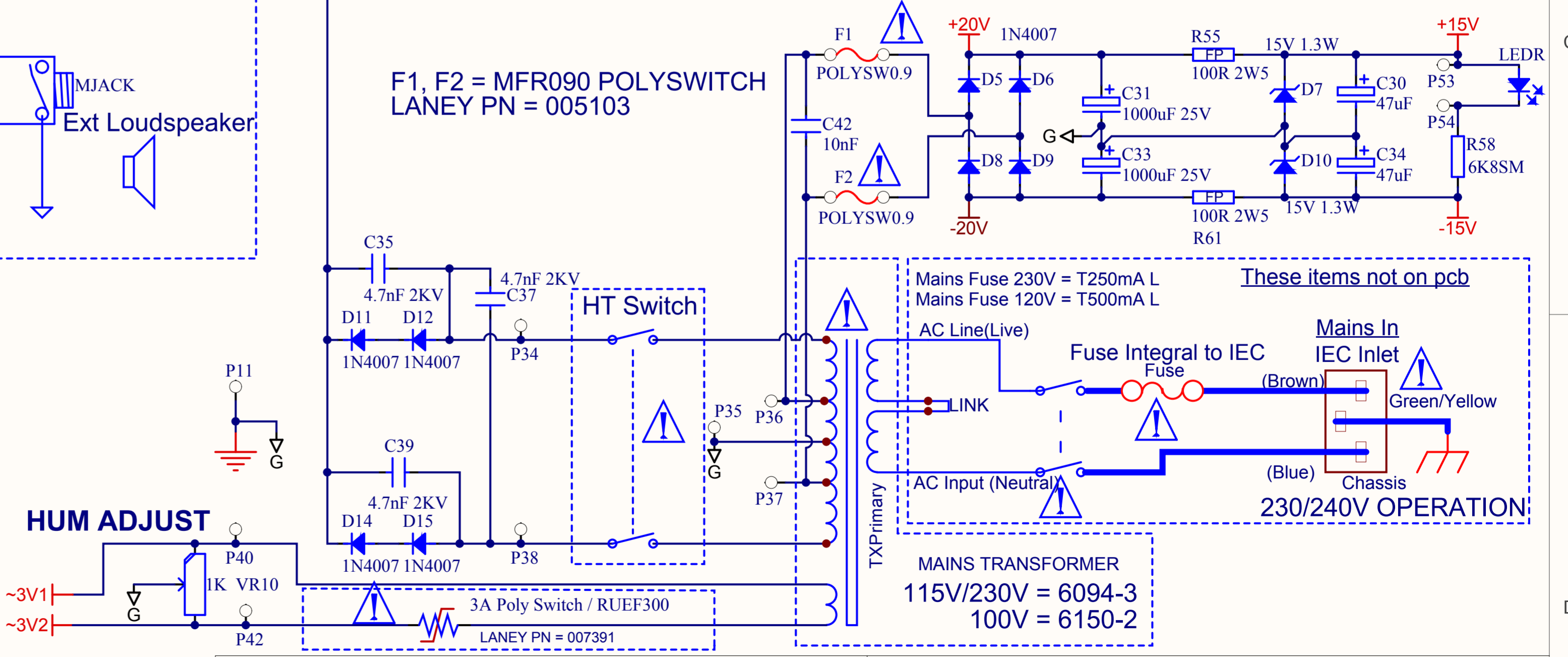
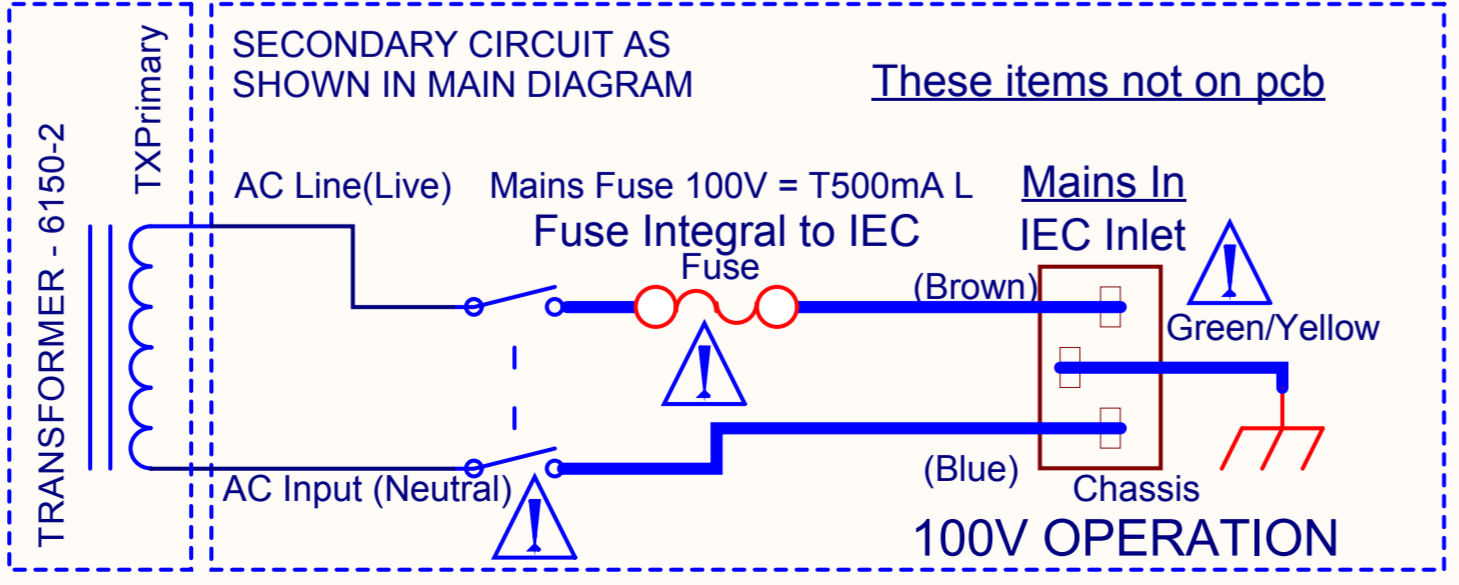
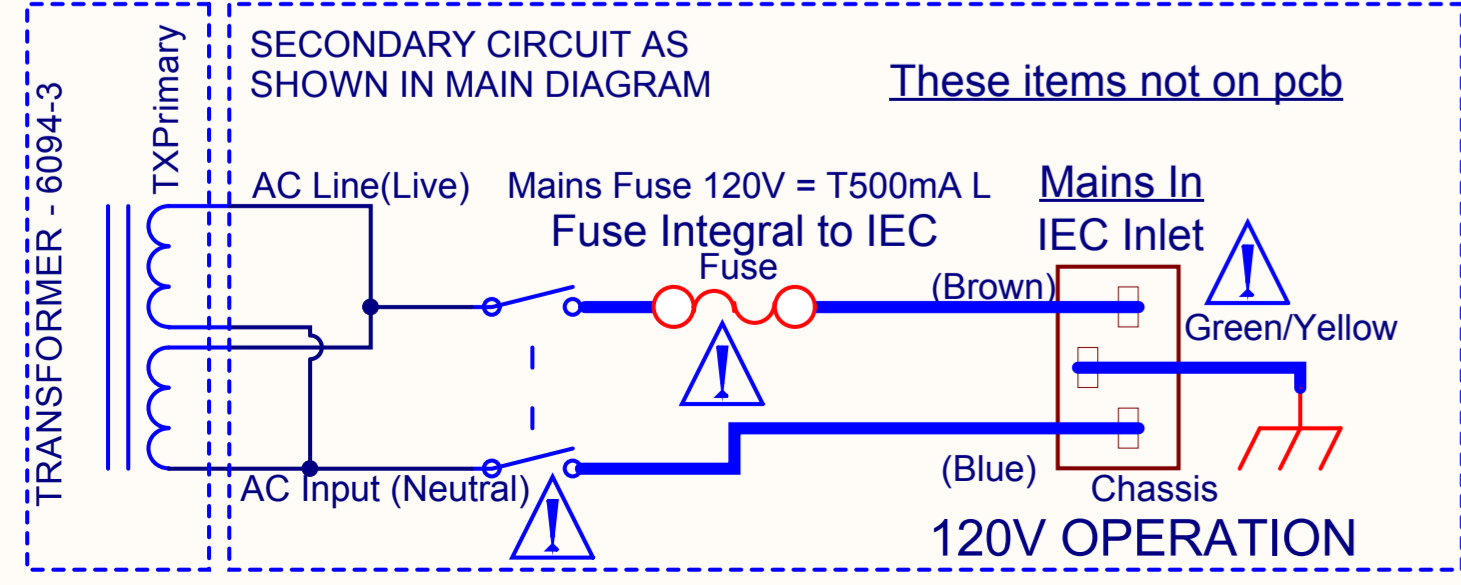
Service Information

Laney
POWER TO THE MUSIC
www.laney.co.uk



NOTE: ALL RESISTORS 1/4W UNLESS STATED
 NOTE: ALL CAPACITORS 63V MINIMUM UNLESS STATED
 FP Flame proof resistor
 Must only be replaced with same type and rating
 ⚠ Indicates safety critical component
 Must only be replaced with approved type

Tubes Chassis mounted and hardwired to PCB.
 R19 mouted to tube base, not on pcb



Title: L5T-112 Preamp PCB		
Size: A3	Number: 9424	Revision: 3
Date: 22/02/2007	Time: 09:25:19	Sheet 1 of 1
Original File: 9424.SchDoc		

Steelpark Road
 Coombs Wood
 Industrial Estate West
 Halesowen
 UK
www.laney.co.uk

L5T-112 SPARE PARTS LIST

Laney

Model No. L5T-112 CABINET				
SPARES ITEM		DESCRIPTION	PART No.	
Mains Transformer	100V	6150 100V Mains Transformer	006150	
	115V	6094 115/230V Mains Transformer	006094	
	230V	6094 115/230V Mains Transformer	006094	
Output Transformer		6072 30W Output Transformer	006072	
Reverb Unit		Large 2 Spring Reverb Unit	10021	
Switch	Power	5A DPDT Rocker Switch	530027	
	Bright	Chrome Toggle Switch	007209	
	Drive			
	Standby			
Mains Fuse	100-120V	T500mA 20mm Spiral Wound Fuse	005566	
	220-240V	T250mA 20mm Spiral Wound Fuse	005528	
Corner	Back	Stainless Steel Corners Non-Hooked	10048	
	Front	Stainless Steel Corners-Hooked	10049	
PCB Complete	9424	Main PCB Complete	007203	
	Pots	VR1	1M Log 6mm Spline	004070
			Pot Bracket for VR1	005127
		VR2	1MA / 100KC Dual 6mm Spline	004116
		VR3, 4	1M Log 6mm Spline	004070
		VR6	22K Lin 6mm Spline	004061
		VR5, 8	220K Lin 6mm Spline	004065
		VR7	220K Log 6mm Spline	004078
	9410	FX Loop/Footswitch PCB Complete	60048	
	9430	Input PCB Complete	007210	
	9088	Loudspeaker/Switch PCB Complete	60001	
Loudspeaker		8 Ohm Celestion G 12 H Heritage Loudspeaker	007198	
Badge		Die cast Badge (80%) 116mm	007188	
Fascia Panel		Complete Finished LT Fascia Panel	007201	
Control Knob		Chicken Head Knobs (White)	007208	
Handle		Cream Leather Handle-Blue stitching	007181	
		Combined Handle Brkt/Top Vent Ref Drg: 3871	007182	
Mains Inlet Socket		MS3 Fused Mains Inlet Socket	005005	
HT Fuse Carrier		20mm fuse Holder (HT)	005502	
HT Fuse		20mm T100mA Fuse	005586	
Tubes	1	EL84 Valve	005562	
	2	ECC83 Valve STD	005548	
	3	ECC83 Valve Selected	005548	
	4	ECC83 Valve Hi-Grade	005570	
Tube Base		B9A Ceramic Valve Base	005577	
Mains Lead		Mains Lead (Country Dependant)		
Foot Switch		FS2 Footswitch	FS2E	
Feet		20mm High Screw on RubberFeet	007186	
Cover		Cabinet Slip Cover - L5T-112	007424	
Tilt Mech.		Tilt Mech. Moulding	007192	
		Tilt Mech. Bar	007193	
L5T-112 Cabinet Including:		Complete L5T-112 Cabinet & Cosmetic Baffle, Minus Loudspeaker.	007242	
Choke		6013 50/100 Choke	006013	
Saftey Critical Devices		100UF 450V Electrolytic Capacitor	002032	
		22UF 450V Electrolytic Capacitor	007204	
		10K 5W Resistor	001714	
		1K 5W Resistor	001701	
		150R 5W Resistor	007007	
		3A Polyswitch	007391	
		Relay G5V-2-1H	007205	
Manual		User Manual - L5T-112	007200	