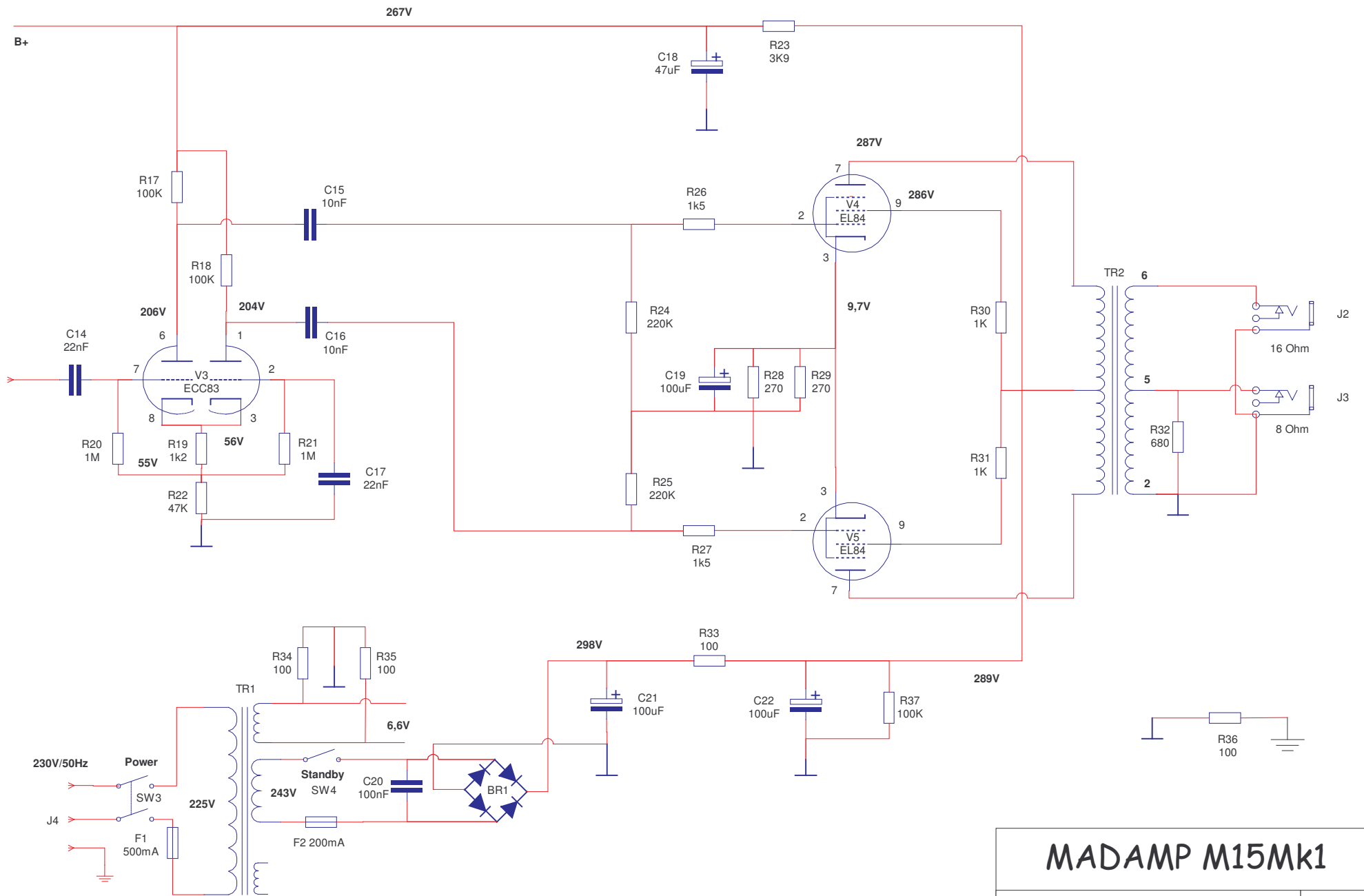
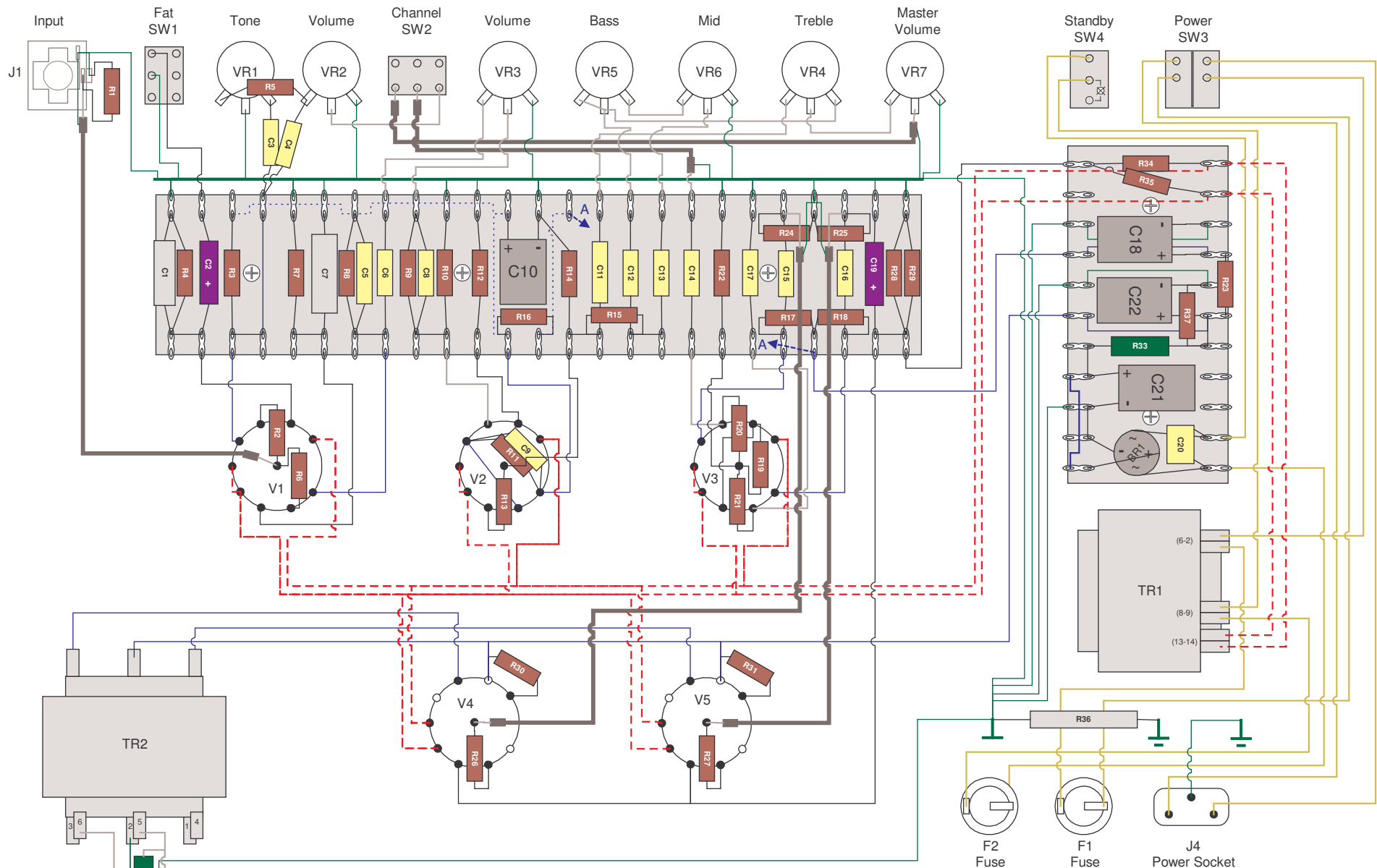


<h1>MADAMP M15Mk1</h1>	
17.04.04	
2 Channel british Preamp	
Rev 2.2	Sheet 1 of 2



All Voltages measured with respect to ground (except heater voltage) at No-Load Conditions, Voltages may vary +/- 5%

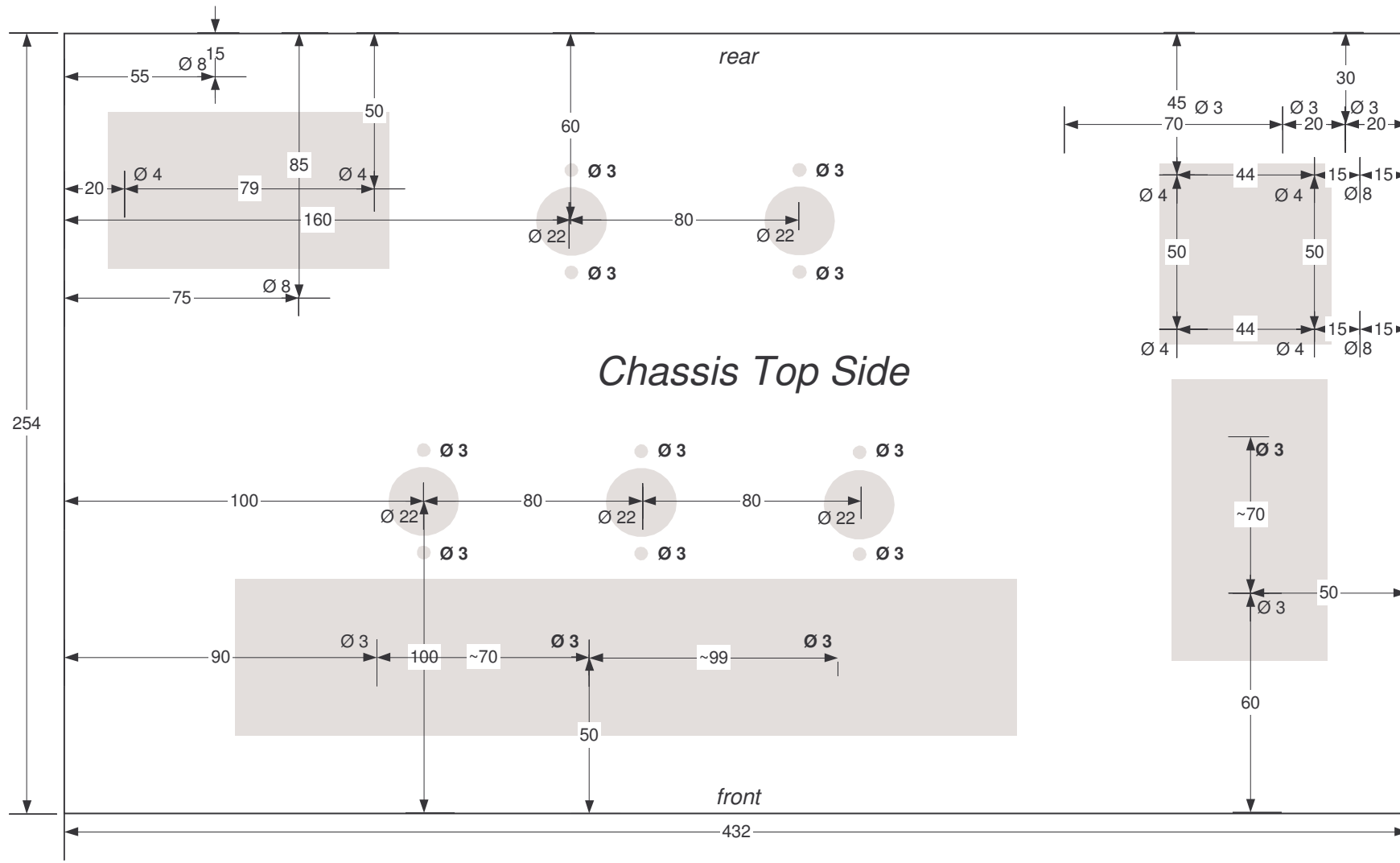
<h1>MADAMP M15Mk1</h1>	
17.04.04	
Power Amp & Supply 15W	
Rev 2.2	Sheet 1 of 2



16 Ohm 8 Ohm

- White Signal
- Black Cathode
- Blue Anode
- Green Ground
- Red/White Heating
- Grey Shielded
- Yellow Power

MADAMP M15Mk1	
06.05.2004	
2 Channel 15W Amplifier	
Layout Plan	
Rev 2.2	Seite 1 of 1



all numbers in mm

MADAMP M15Mk1	
17.04.2004	
2 Channel 15W Amp	
Drilling Plan	
Rev 2.2	Seite 1 von 1