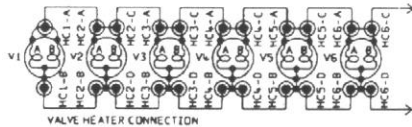
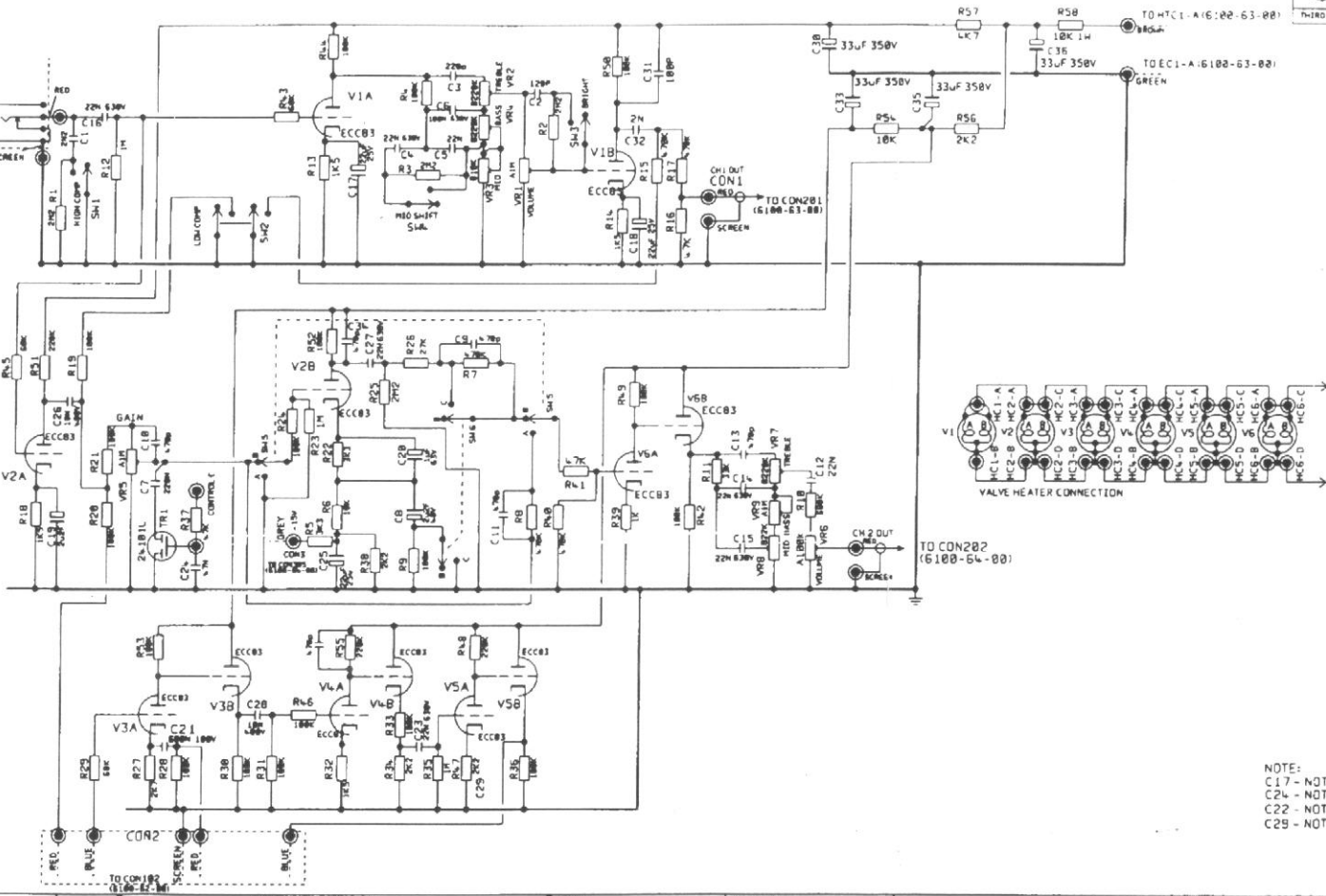


DWG.No. 6100-61-04

JACK SOCKET  
INPUT



THIRD ANGLE PROJECTION



NOTE:  
C17 - NOT FITTED  
C24 - NOT FITTED  
C22 - NOT FITTED  
C29 - NOT FITTED

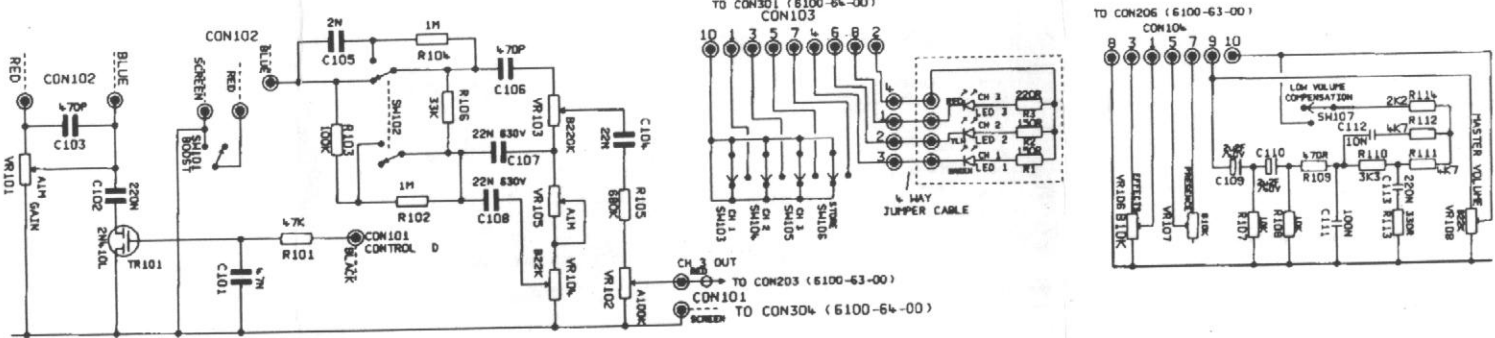
ISS	ECD NUMBER	DATE	A	B	C	D	E	F	G
1	0258	21/03/92	A	B	C	D	E	F	G
2	0249	15/07/92	C	D	E	F	G	H	
3	0215	26/05/92	E	F	G	H			
4	RELEASED	15/05/92	F	G	H				

UNSPECIFIED HOLE DATA		MATERIAL		DIMENSIONS IN	
A	H	INTERNAL RECONES	TOLERANCE UNLESS OTHERWISE STATED		
B	J	INTERNAL BEND RADIUS			
C	K	EXTERNAL D/A			
D	L	HEAD DIA			
E	M				
F	N				
G	P				

DRAWN T.P. DATE 15/05/92  
 CHECKED DATE  
 APPROVED DATE  
 MODEL 6100/6101

TITLE		ISSUE	
CLEAN/CRUNCH CCT		A3	
DWG.No	6100-61-04	ISSUE	4

DWG. No. 6100-62-04



C101-NOT FITTED

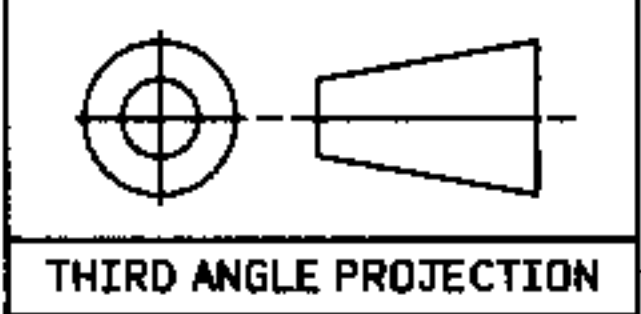
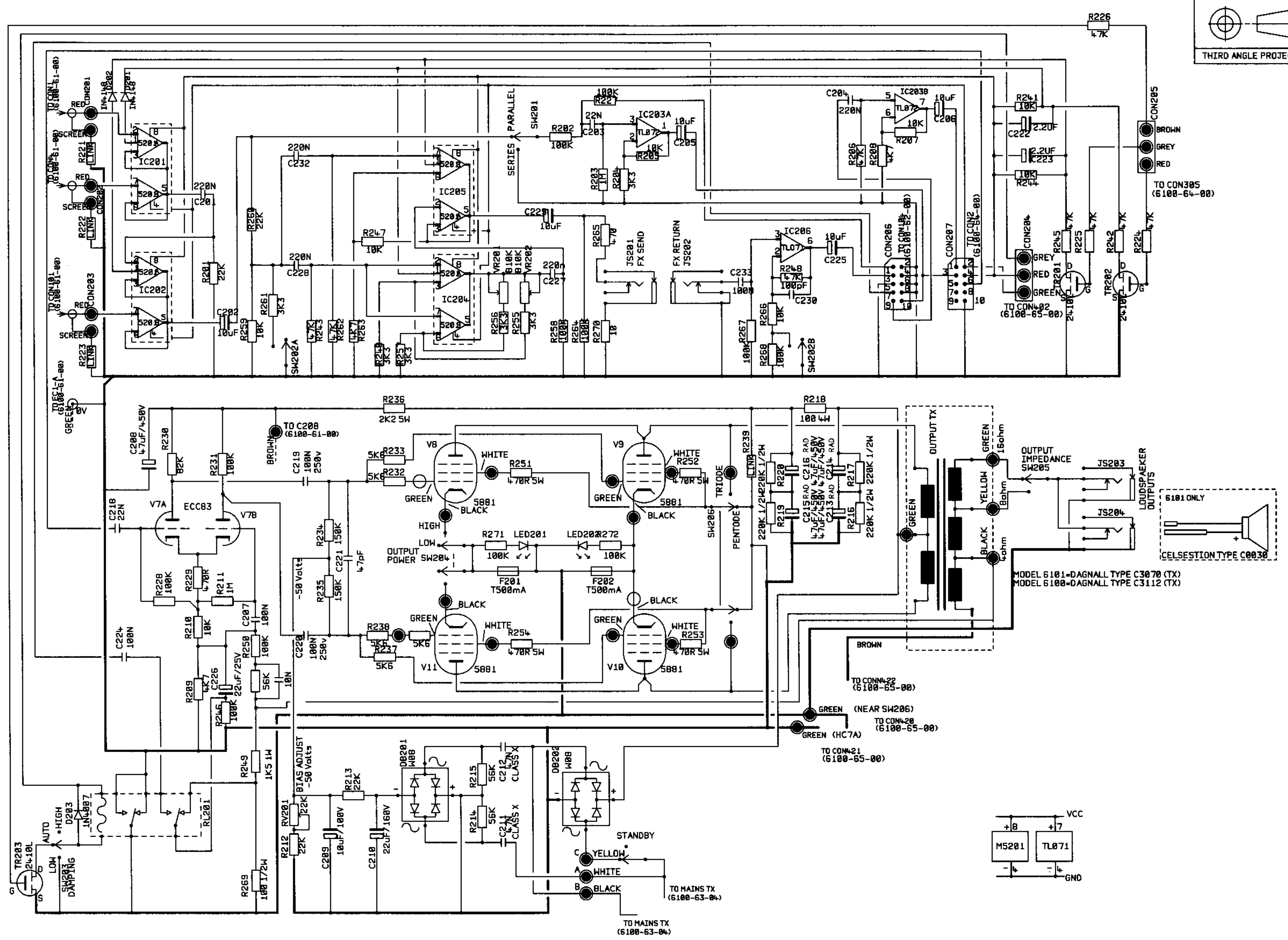
UNSPECIFIED HOLE DATA			INTERNAL	EXTERNAL	DIMENSIONS IN TOLERANCES (UNLESS OTHERWISE STATED): DIMENSIONAL CENTERS	TITLE <b>LEAD/MASTER CCT</b> A3
A	B	H	INTERNAL THROUGH	EXTERNAL THROUGH		
B	C	J	INTERNAL REAR HOLE	EXTERNAL D/A	APPROVAL	DWG. No 6100-62-04
C	D	K	INTERNAL D/A	INTERNAL	DATE 15/05/92	
D	E	L	DRILL SIZE	APPROVED	6100/6101	
E	F	M	DRILL T.F.	CHECKED		
F	G	N	APPROVED	DATE		
G	H	P				
H						

*Marshall*

REPRODUCTION OF THIS DOCUMENT IS NOT PERMITTED WITHOUT THE WRITTEN PERMISSION OF MARSHALL ELECTRONICS CORPORATION. THIS DOCUMENT IS UNCLASSIFIED AND IS IN THE PUBLIC DOMAIN. MARSHALL ELECTRONICS CORPORATION, 10000 MARSHALL BLVD., BETHLEHEM, PA 18018-1000. TEL: (610) 771-1111 FAX: (610) 771-1112

DWG. NO. 6100-63-04

NOTE -- ADJUST BIAS TO -50Volts  
(NO SIGNAL CONDITION)



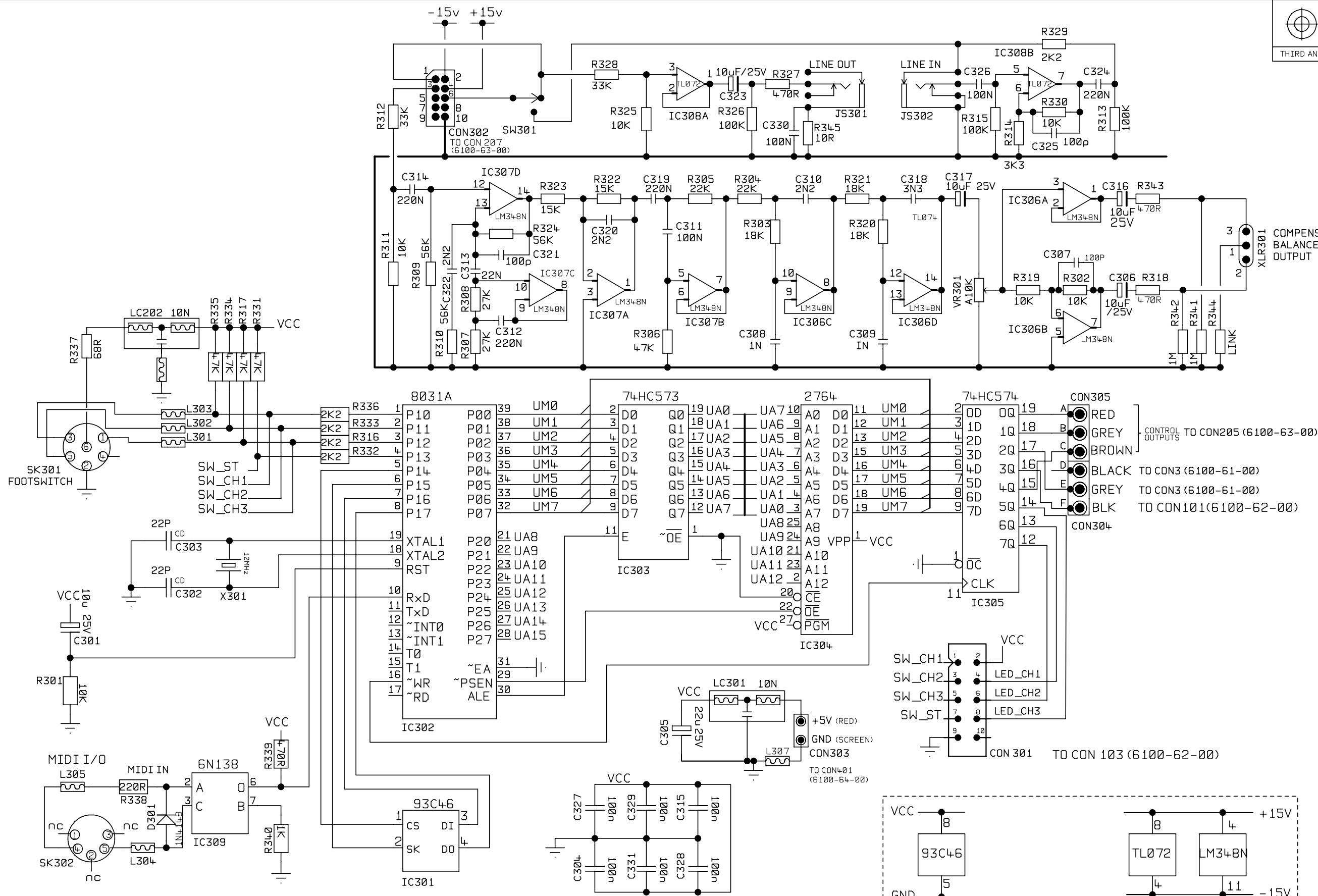
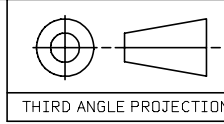
UNSPECIFIED HOLE DATA			MATERIAL		DIMENSIONS IN		TITLE	
	A	I	MATERIAL THICKNESS		TOLERANCE (UNLESS OTHERWISE STATED)		POWER AMP CCT	
	B	J	INTERNAL BEND RADII		DIMENSIONAL		DWG.No	
	C	K	EXTERNAL B/A		CENTRES		6100-63-04	
	D	L	BEND DIE		ANGULAR		ISSUE	
4	04-08	24-8-93	DRAWN	T,F	DATE	15/05/92	4	
3	0394	6-8-93	CHECKED		DATE			
2	0249	15/07/92	APPROVED		DATE			
ISS	ECO NUMBER	DATE						

*Marshall*

COPYRIGHT EXISTS ON THIS DOCUMENT. IT MUST NOT BE USED FOR ANY PURPOSE THAN THAT FOR WHICH IT IS SUPPLIED AND MUST NOT BE REPRODUCED OR IN PART WITHOUT WRITTEN PERMISSION FROM  
MARSHALL AMPLIFICATION PLC.  
DENBIGH ROAD, BLETCHLEY, MILTON KEYNES, MK1 10Q.  
TEL (0580)375411 FAX (0580)376118

TITLE		POWER AMP CCT	
DWG.No		6100-63-04	
ISSUE		4	

DWG.No.6100-64-04



COMPENSATED BALANCED OUTPUT  
XLR301

CONTROL OUTPUTS TO CON205 (6100-63-00)  
TO CON3 (6100-61-00)  
TO CON3 (6100-61-00)  
TO CON101 (6100-62-00)

CON301 TO CON103 (6100-62-00)

TO CON401 (6100-64-00)

UNSPECIFIED HOLE DATA

	A	H
	B	J
	C	K
3	D	L
2	E	M
1	F	N
ISS	G	P

MATERIAL	
MATERIAL THICKNESS	
INTERNAL BEND RADIUS	
EXTERNAL B/A	
BEND DIE	
DRAWN T.F	DATE 07/12/91
CHECKED	DATE
APPROVED	DATE

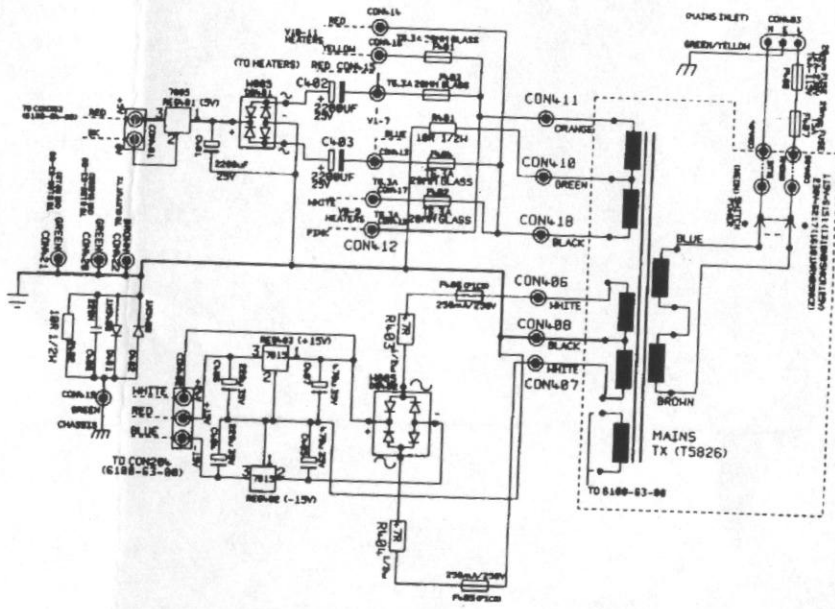
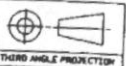
DIMENSIONS IN	
TOLERANCE (UNLESS OTHERWISE STATED)	
DIMENSIONAL	
CENTRES	
ANGULAR	
MODEL	6100/6101

**Marshall**

COPYRIGHT EXISTS ON THIS DOCUMENT. IT MUST NOT BE USED FOR ANY PURPOSE THAN THAT FOR WHICH IT IS SUPPLIED AND MUST NOT BE COPIED (IN WHOLE OR IN PART) WITHOUT WRITTEN PERMISSION FROM  
© JIM MARSHALL (PRODUCTS) LTD.  
DENBIGH ROAD, BLETCHLEY, MILTON KEYNES, MK1 10Q.  
TEL (0908)375411 FAX (0908)376118

TITLE	
MIDI CCT	A3
DWG.No 6100-64-04	ISSUE 3

DWG. No. 6100-65-04



		UNSPECIFIED HOLE DATA				TYPICAL		SYMBOLS IN		TITLE	
		A	B	C	H	TYPICAL THICKNESS	TOLERANCE	TOLERANCE	TOLERANCE	PSU CCT	
6	0249	13/87/92			J	0.0010, 0.0012	±0.0010	±0.0010	±0.0010		
3	0219	18/86/92			K	0.0010, 0.0012	±0.0010	±0.0010	±0.0010		
2		28/88/92			L	0.0010, 0.0012	±0.0010	±0.0010	±0.0010		
1	RELEASED	13/85/92			M	0.0010, 0.0012	±0.0010	±0.0010	±0.0010		
153	ECO NUMBER	DATE			N	0.0010, 0.0012	±0.0010	±0.0010	±0.0010		
					P	0.0010, 0.0012	±0.0010	±0.0010	±0.0010		

*Marshall*

6100/6101

DWG. No.	6100-65-04	ISSUE	4
----------	------------	-------	---

REVISIONS  
 1. 13/85/92  
 2. 28/88/92  
 3. 18/86/92  
 4. 13/87/92