

Models: 4500, 4501, 4502  
4100, 4101 & 4102

**NOTES:**

1. All resistors 1/4w unless stated.
2. PCB: 275°C enamel
3. Power amp diagram: 00002 20w, 00002 20w
4. All chip-sets, caps etc. 50w unless stated
5. Ceramic disk cap unless stated
6. 10T Resistor
7. All capacitors 500µF
8. All unmarked disks are 500µF.
9. IC supplies: All ICs but TL072, pin 6: +5V TL071, pin 7: +5V All ICs, pin 4: -5V
10. TL071 switching IC pin 6: +5V



7	22-11-88	SH
6	1-11-88	SH
5	2-7-88	CPV
4	11-4-88	CPV
Iss. Date		Drn.

Buy Number: C0189  
JCM800 Series  
DUAL REVERB Preamp  
Circuit Diagram  
ALL COUNTRIES

**Marshall**  
Jim Marshall  
(Products) Ltd.  
BLETCLEY  
MILTON KEYNES  
ENGLAND  
P10r: 0529-001

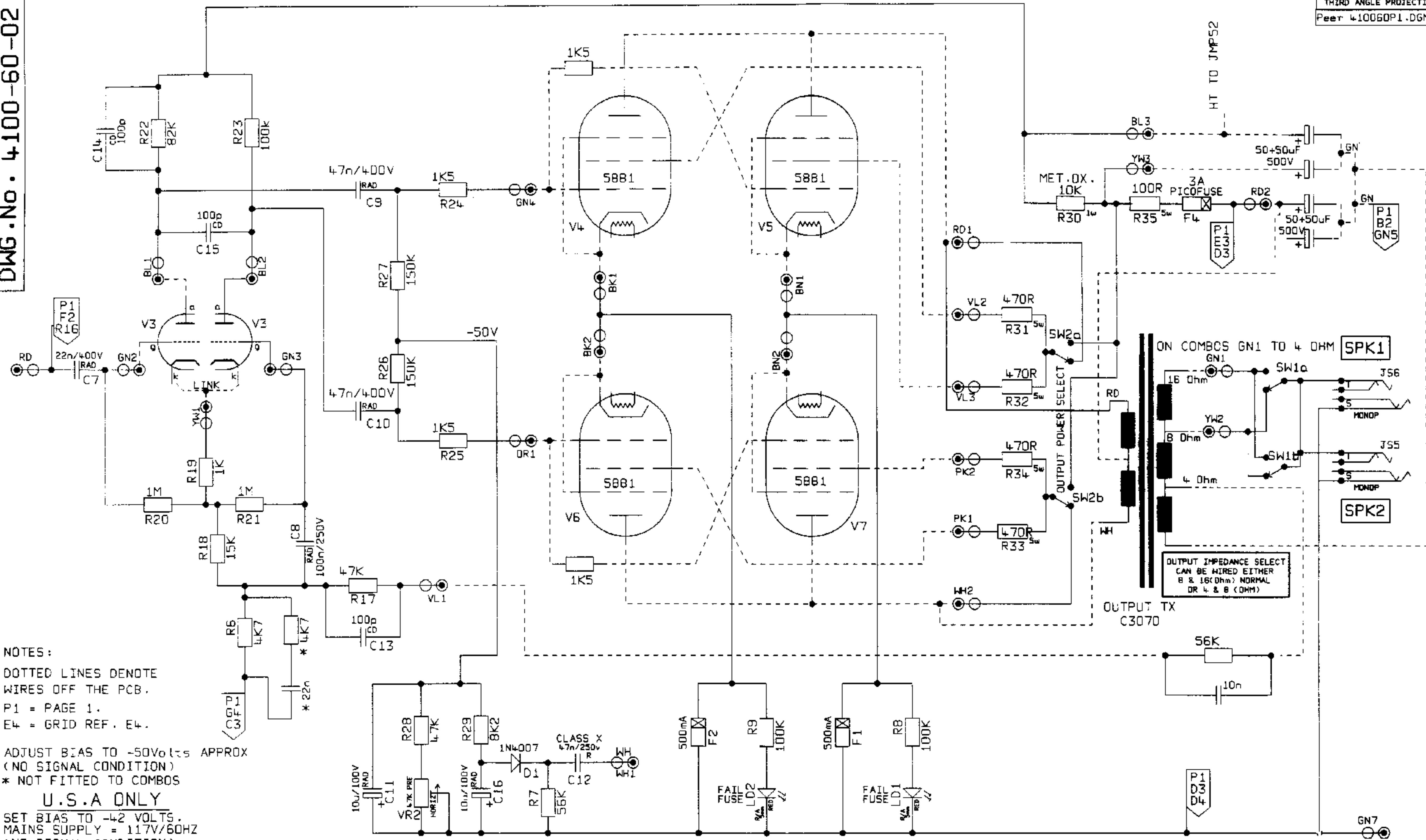
Tip - Channel  
Ring - Reverb  
Stems - Ground

LT Secondary - see Power Amp Diagram  
D1: 20V - 20  
D2: 20V - 20

PB1.2  
TEEDA Type TR-T No. 1872



DWG.No. 4100-60-02



NOTES:  
 DOTTED LINES DENOTE WIRES OFF THE PCB.  
 P1 = PAGE 1.  
 E4 = GRID REF. E4.  
 ADJUST BIAS TO -50Volts APPROX (NO SIGNAL CONDITION)  
 \* NOT FITTED TO COMBOS  
**U.S.A ONLY**  
 SET BIAS TO -42 VOLTS.  
 MAINS SUPPLY = 117V/60HZ (NO SIGNAL CONDITION)

ISS	ECO NUMBER	DATE	A	B	C	D	E	F	G

UNSPECIFIED HOLE DATA	

MATERIAL	

DIMENSIONS IN	

DRAWN		DATE	

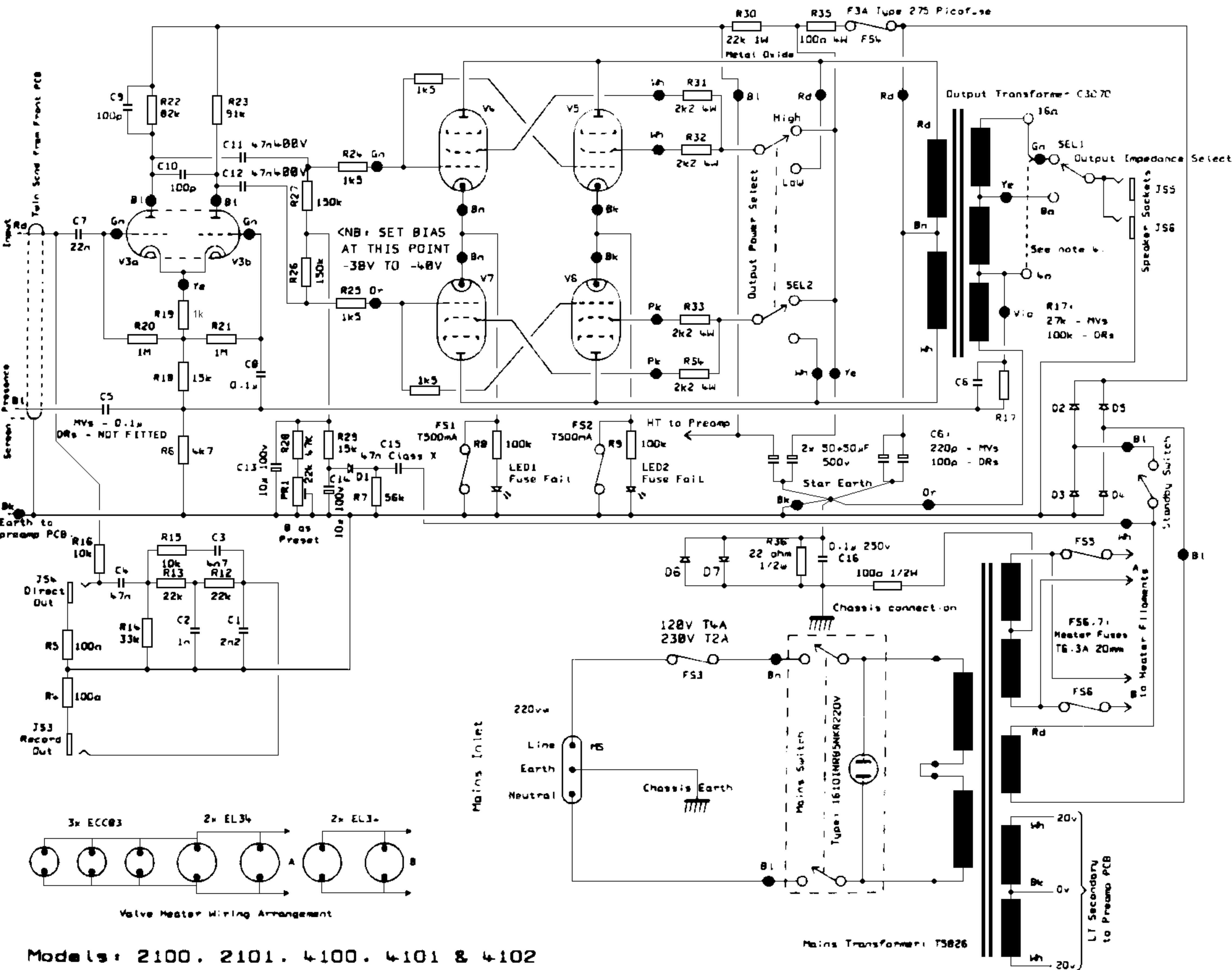
**Marshall**

COPYRIGHT EXISTS ON THIS DOCUMENT. IT MUST NOT BE USED FOR ANY PURPOSE THAN THAT FOR WHICH IT IS SUPPLIED AND MUST NOT BE REPRODUCED OR IN PART WITHOUT WRITTEN PERMISSION FROM  
 © MARSHALL AMPLIFICATION PLC  
 DEMBISH ROAD, BLETCHLEY, MILTON KEYNES, MK1 1DB.  
 TEL (0908) 754111 FAX (0908) 754118

TITLE	
POWER AMP CCT	
2 OF 2	
DWG.No	ISSUE
4100-60-02	11

NOTES:

1. D1-5: 1N4007
2. PCB: JMP500 boards
3. Effects loop components shown on preamp cct. diag.
4. Output impedance select can be wired for either 8 & 16 $\Omega$  (normal) or 4 & 8 $\Omega$ .
5. V3: ECC83  
V4-7: EL34
6. Undesignated components are off-PCB components.
7. All resistors are 1/4w unless stated otherwise.



Iss. 7: JMP500 PCB

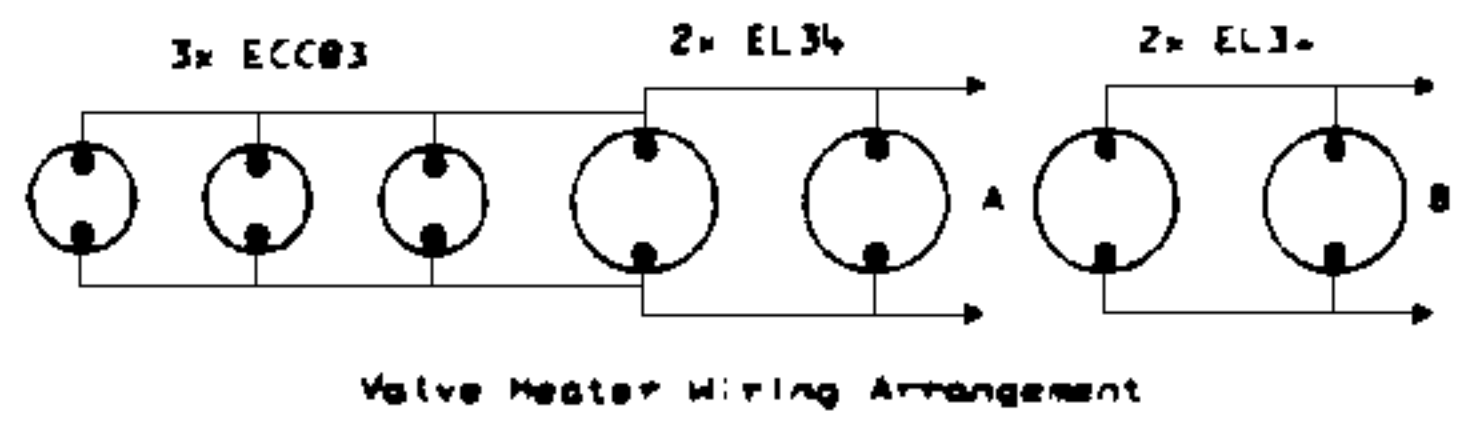
ID	ECO #/Rev	CDR
10	ECO #167 10/03/92	CJR
9	ECO #126 12/12/91	CJR
8	19-9-90	SKB
7	4-9-90	CPV
6	16-5-90	CPV
5	9-3-90	CPV
Iss.	Date	Drn.

Dwg. Number: C00192

JCM900 Series  
100w Power Amp  
Circuit Diagram  
SEMKO AND CSA

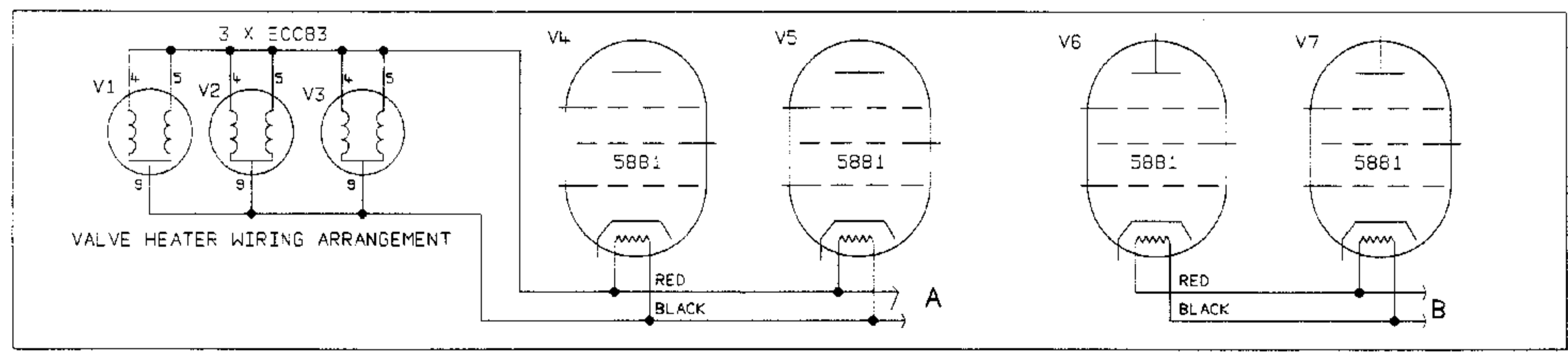
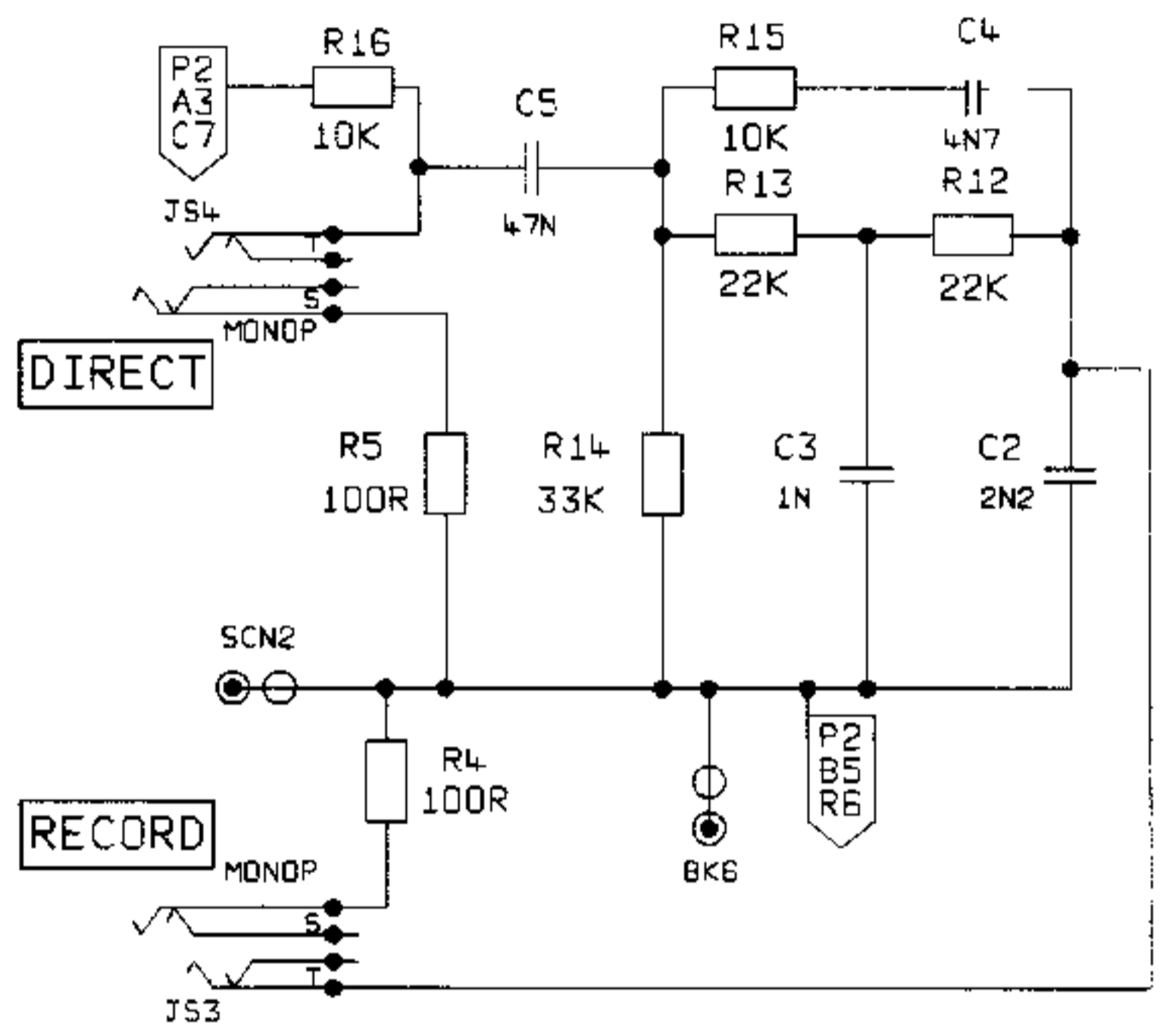
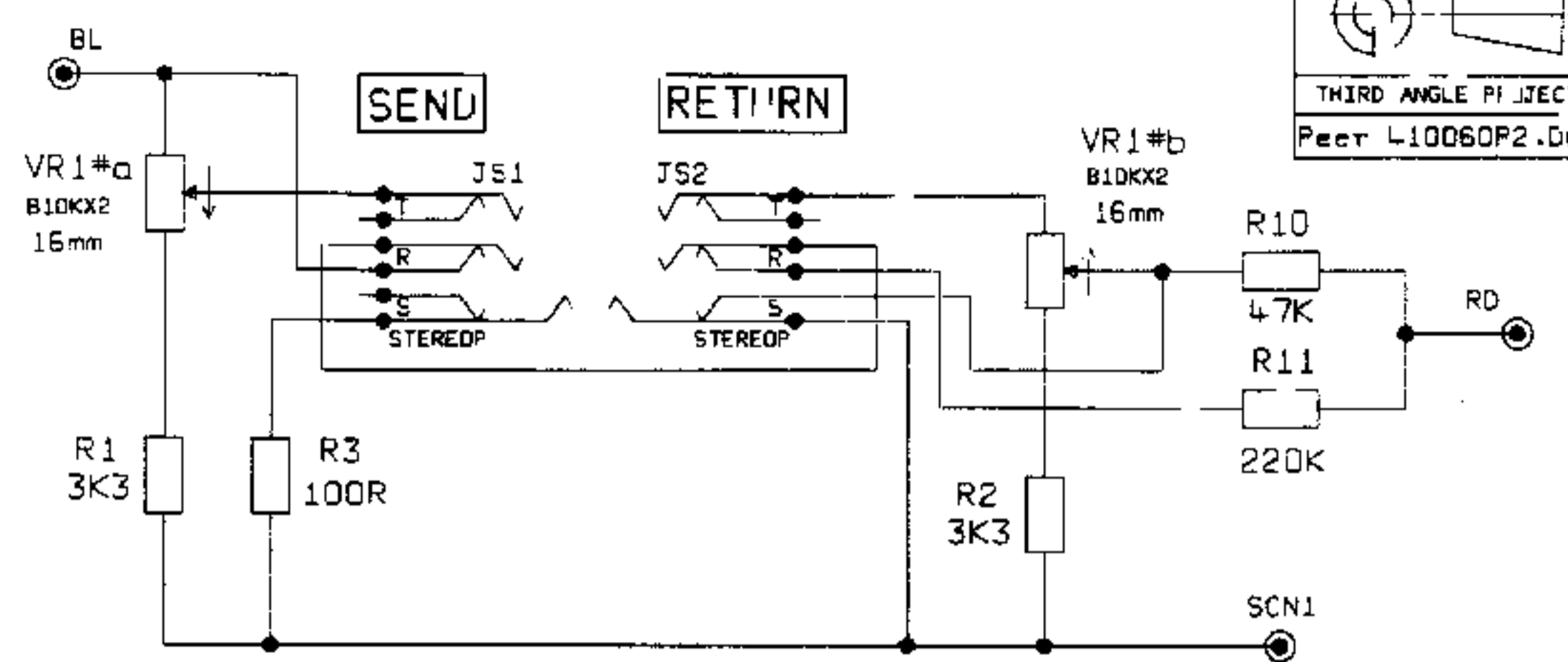
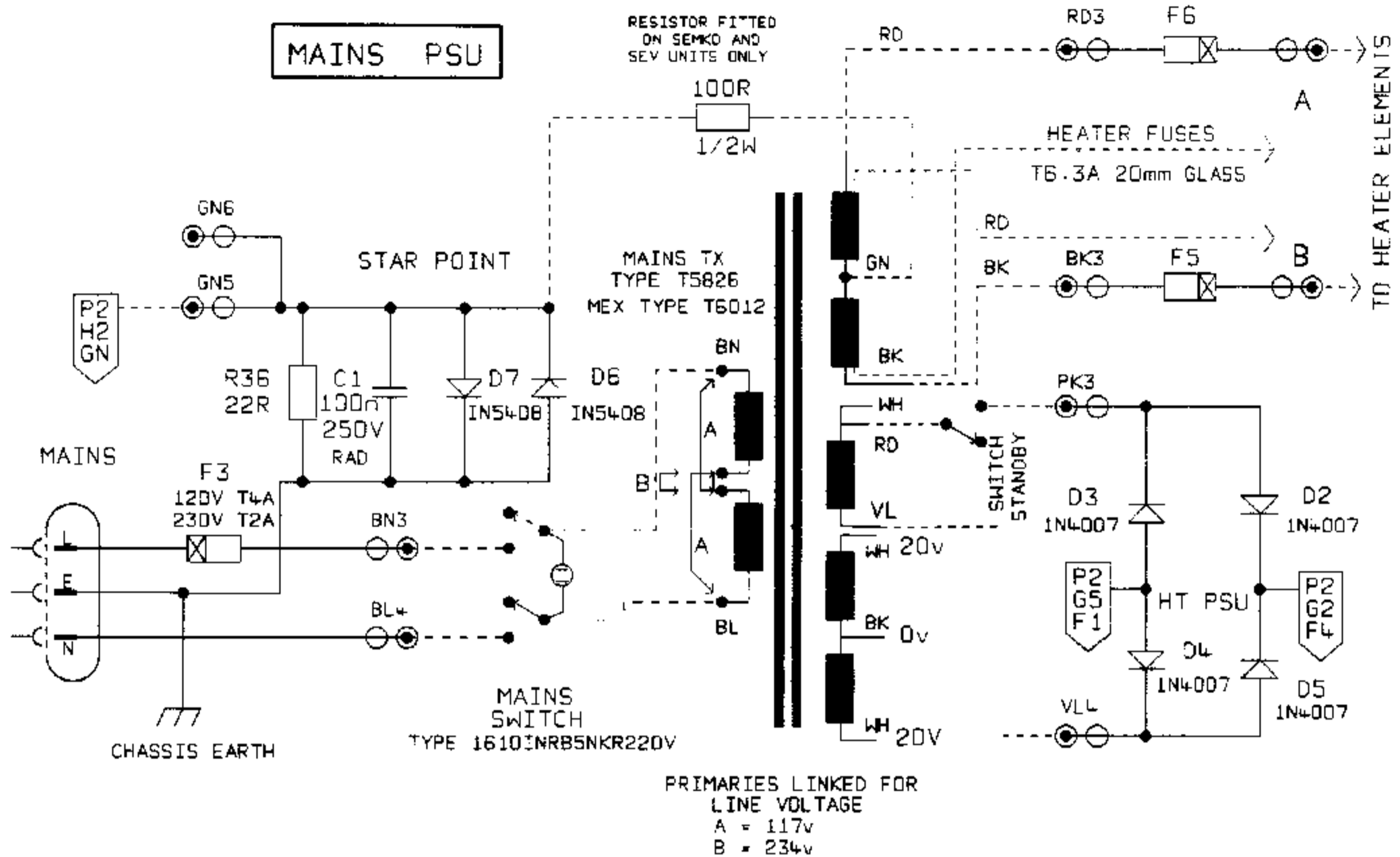
**Marshall**

Jim Marshall  
(Products) Ltd.  
BLETCHLEY  
MILTON KEYNES  
ENGLAND  
File: JMP5002.DGM



Models: 2100, 2101, 4100, 4101 & 4102





NOTES:  
 DOTTED LINES DENOTE WIRES OFF THE PCB.  
 P2 = PAGE 2.  
 EL = GRID REF. E4.

ISS	ECO NUMBER	DATE	A	B	C	D	E	F	G
11	0715	22/09/94							
10	0685	24/08/94							
9	0624	17/5/94							
8	0492	14-1-94							
7	0490	14-12-93							

UNSPECIFIED HOLE DATA	
A	H
B	J
C	K
D	L
E	M
F	N
G	P

MATERIAL	
MATERIAL THICKNESS	
INTERNAL BEND RADIUS	
EXTERNAL B/A	
BEND DIE	

DIMENSIONS IN	
TOLERANCE (UNLESS OTHERWISE STATED)	
DIMENSIONAL	
CENTRES	
ANGULAR	
MODEL	

**Marshall**

COPYRIGHT EXISTS ON THIS DOCUMENT. IT MUST NOT BE USED FOR ANY PURPOSE THAN THAT FOR WHICH IT IS SUPPLIED AND MUST NOT BE REPRODUCED OR IN PART) WITHOUT WRITTEN PERMISSION FROM

© MARSHALL AMPLIFICATION PLC  
 DENBIGH ROAD, BLETCHLEY, MILTON KEYNES, MK1 1QQ.  
 TEL (0290) 375411 FAX (0290) 375116

TITLE	
POWER AMP CCT	
1 OF 2	
DWG.No	ISSUE
4100-60-02	11

4100