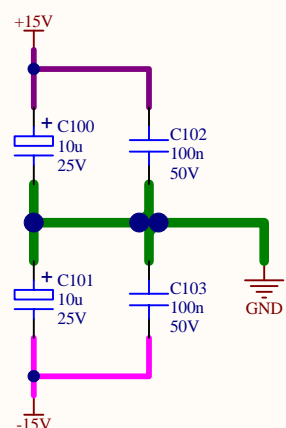
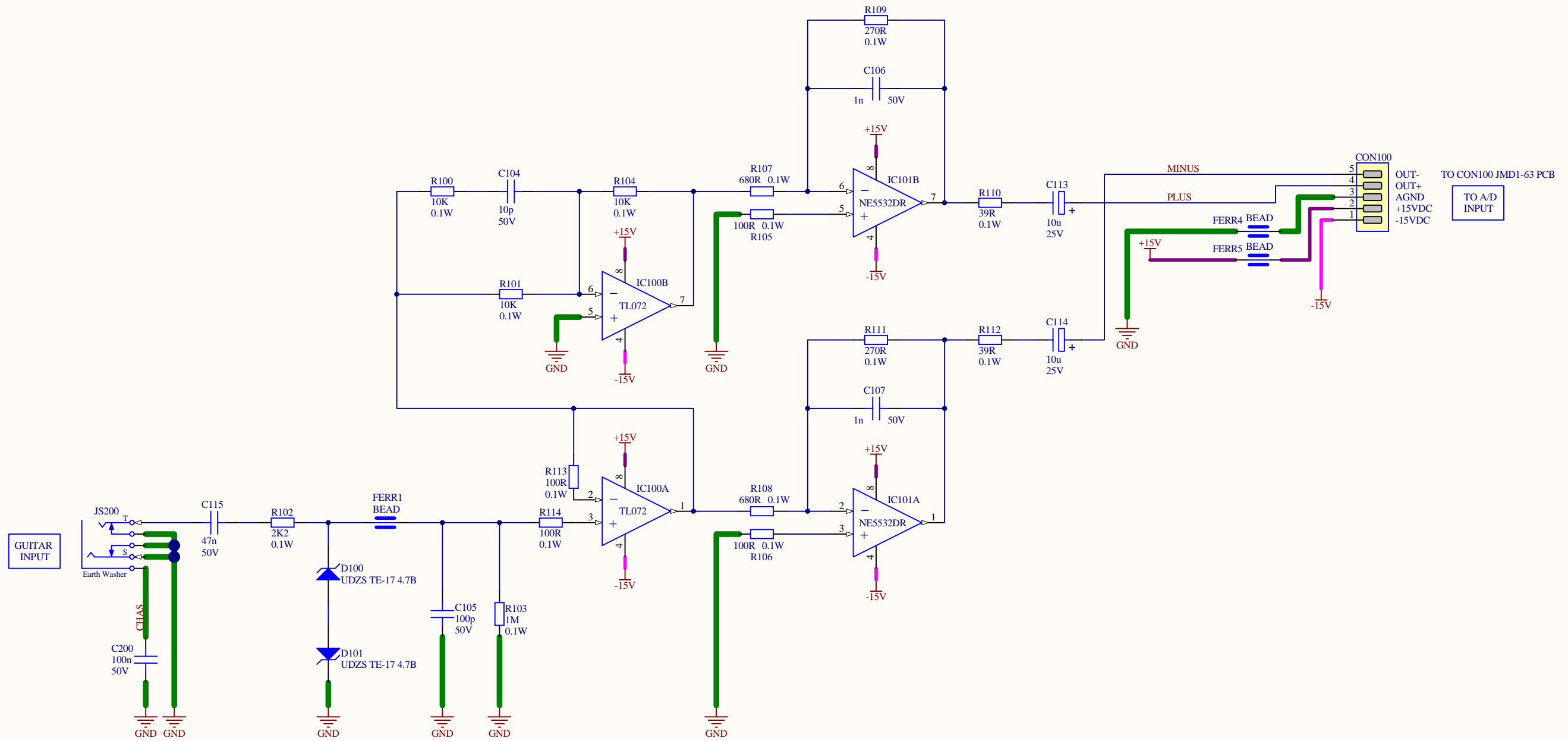


JMD1-61-02



1	RELEASE	24-07-09
D	MODS	28-05-09
C	MODS	12-03-09
B	SM PCB	29-10-08
ISS	ECO NUMBER	DATE

MATERIAL		DIMENSIONS IN mm	
MATERIAL THICKNESS		TOLERANCE (UNLESS OTHERWISE STATED)	
DRAWN S.B.	DATE 07-03-08	HOLE DIA = +/- DIMENSIONAL = +/-	
CHECKED S.R.D.	DATE ?	MODEL	
APPROVED ?	DATE ?	JMD1 BOB	



© MARSHALL AMPLIFICATION PLC
DENBIGH ROAD, BLETCHLEY, MILTON KEYNES, MK1 1DQ.
TEL (01908) 375411 FAX (01908) 376118

File: J:\JMD37\GAP_1\JMD1-61-02-1.SchDoc

TITLE		
INPUT PCB		
DWG. No.	ISS	Sheet
JMD1-61-02	1	1 of 1
Date: 27/07/2009		