

JMD1-60-02

+/- 15V PSU

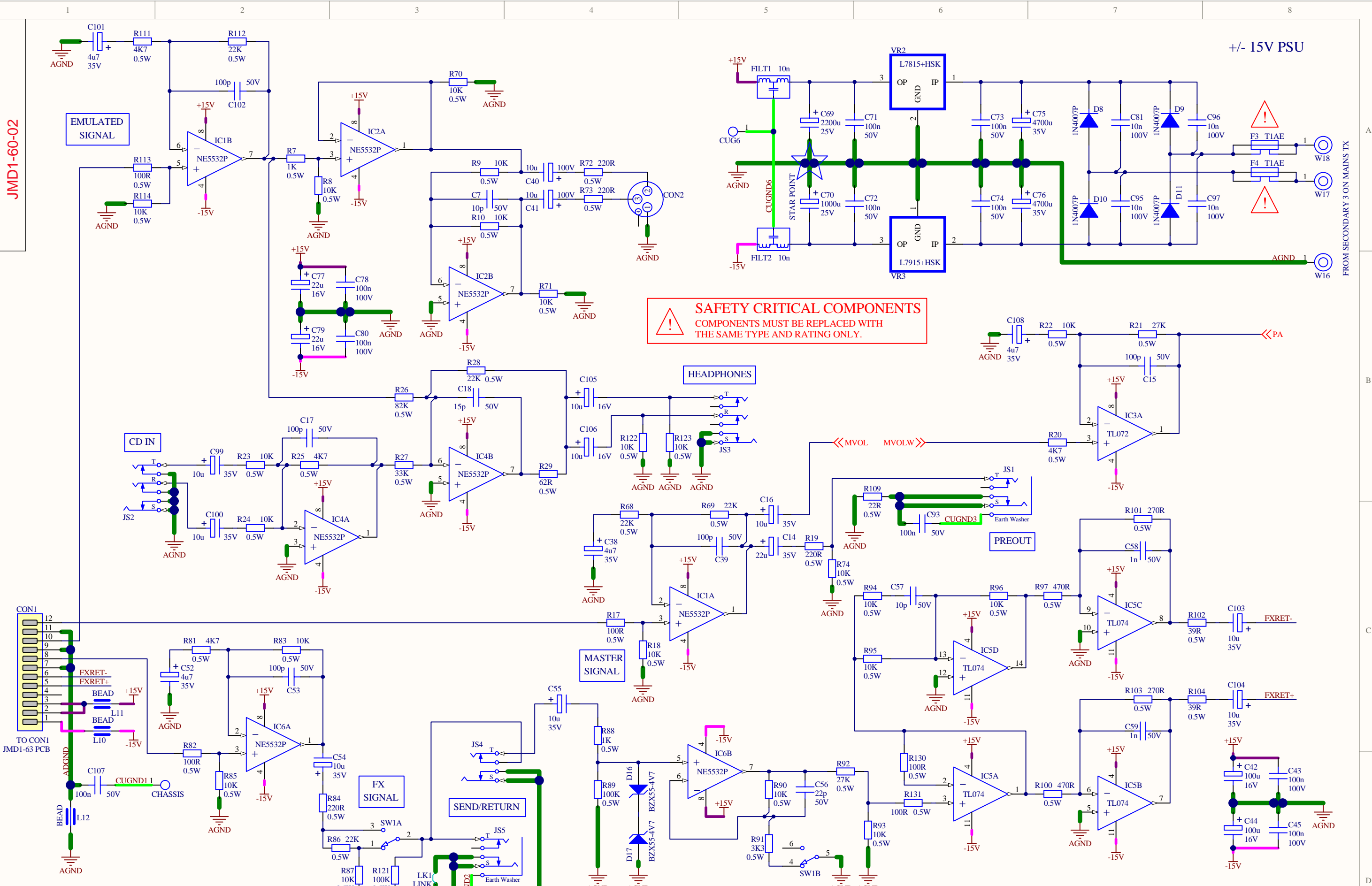
**SAFETY CRITICAL COMPONENTS**  
COMPONENTS MUST BE REPLACED WITH THE SAME TYPE AND RATING ONLY.

2	R99 LINK	12-10-09
1	RELEASE	24-07-09
F	F1 RATING	25-06-09
E1	MODS	16-06-09
ISS	ECO NUMBER	DATE

MATERIAL		DIMENSIONS IN mm	
MATERIAL THICKNESS		TOLERANCE (UNLESS OTHERWISE STATED)	
DRAWN S.B.	DATE 28-10-08	HOLE DIA = +/-	
CHECKED S.R.D.	DATE ?	DIMENSIONAL = +/-	
APPROVED ?	DATE ?	MODEL	
<b>JMD1 50W &amp; 100W</b>			



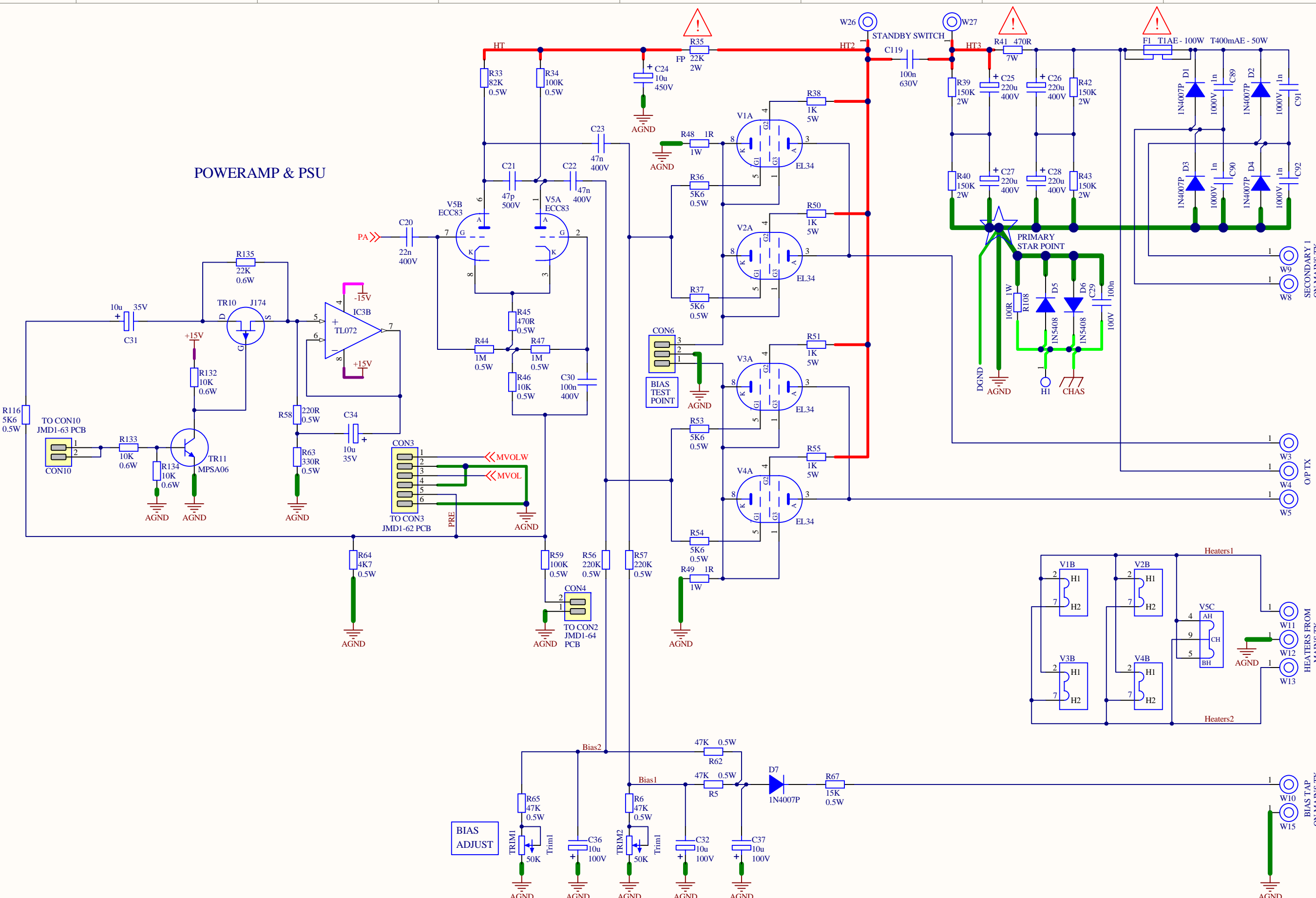
TITLE			
<b>MAIN REAR BOARD</b>			
DWG. No.	ISS	Sheet	
<b>JMD1-60-02</b>	<b>2</b>	<b>1 of 4</b>	
Date: 25/01/2010			



FROM SECONDARY 3 ON MAINS TX

Date: 25/01/2010

JMD1-60-02



**SAFETY CRITICAL COMPONENTS**  
 COMPONENTS MUST BE REPLACED WITH THE SAME TYPE AND RATING ONLY.

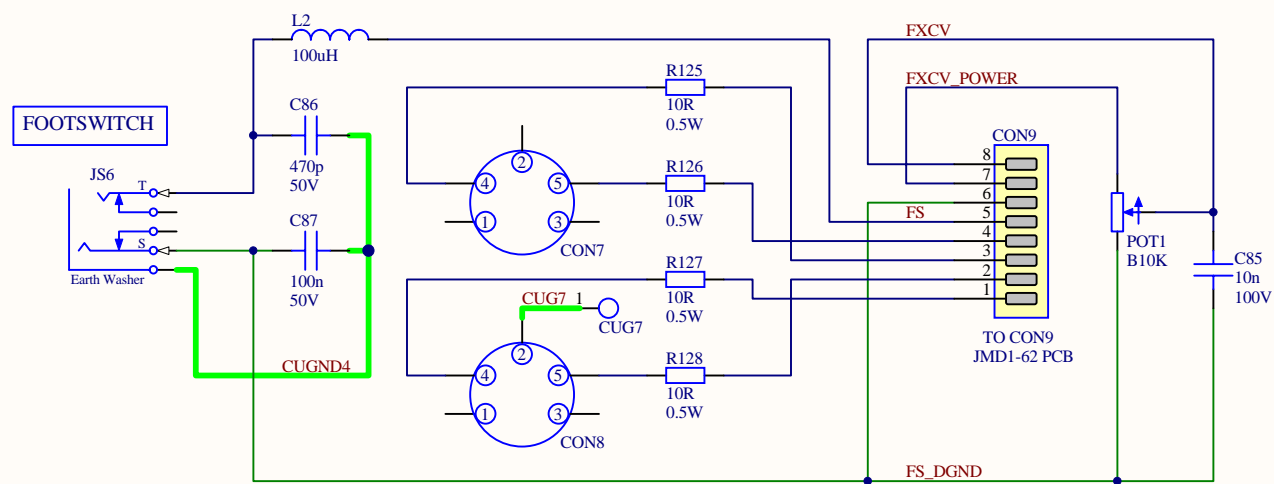
2	R99 LINK	12-10-09
1	RELEASE	24-07-09
F	F1 RATING	25-06-09
E1	MODS	16-06-09
ISS	ECO NUMBER	DATE

MATERIAL		DIMENSIONS IN mm	
MATERIAL THICKNESS		TOLERANCE (UNLESS OTHERWISE STATED)	
DRAWN S.B.	DATE 28-10-08	HOLE DIA = +/-	
CHECKED S.R.D.	DATE ?	DIMENSIONAL = +/-	
APPROVED ?	DATE ?	MODEL	
<b>JMD1 50W &amp; 100W</b>			

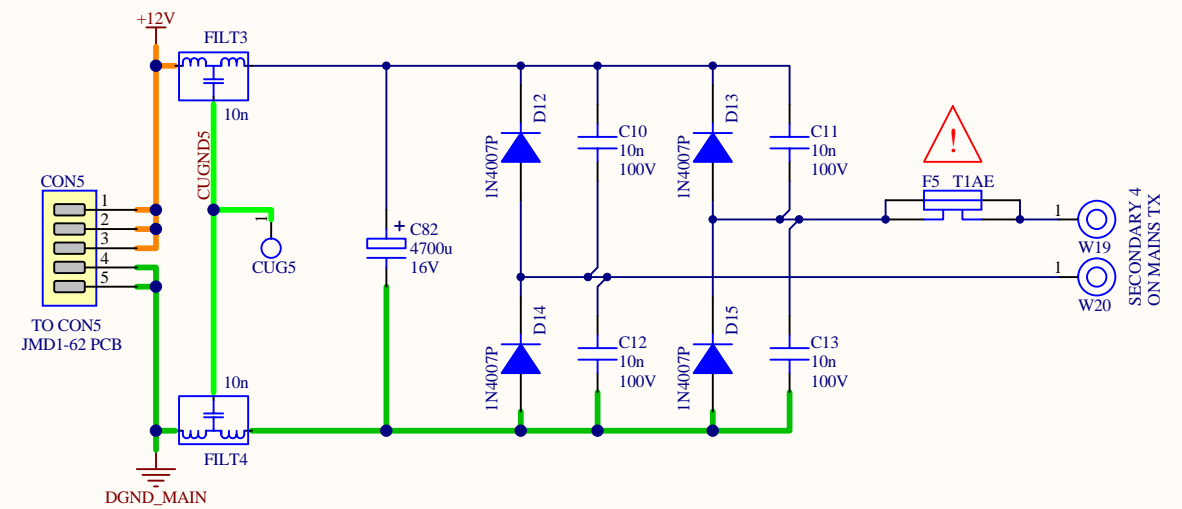


TITLE		
<b>MAIN REAR BOARD</b>		
DWG. No.	ISS	Sheet
<b>JMD1-60-02</b>	<b>2</b>	<b>2 of 4</b>
Date: 25/01/2010		

JMD1-60-02



FOOTSWITCH, MIDI & FXCV



+12V DIG PSU

2	R99 LINK	12-10-09
1	RELEASE	24-07-09
F	F1 RATING	25-06-09
E1	MODS	16-06-09
ISS	ECO NUMBER	DATE

**SAFETY CRITICAL COMPONENTS**  
COMPONENTS MUST BE REPLACED WITH THE SAME TYPE AND RATING ONLY.

MATERIAL		DIMENSIONS IN mm	
MATERIAL THICKNESS		TOLERANCE (UNLESS OTHERWISE STATED)	
DRAWN S.B.	DATE 12-02-08	HOLE DIA = +/- DIMENSIONAL = +/-	
CHECKED S.R.D.	DATE ?	MODEL	
APPROVED ?	DATE ?	<b>JMD1 50W &amp; 100W</b>	



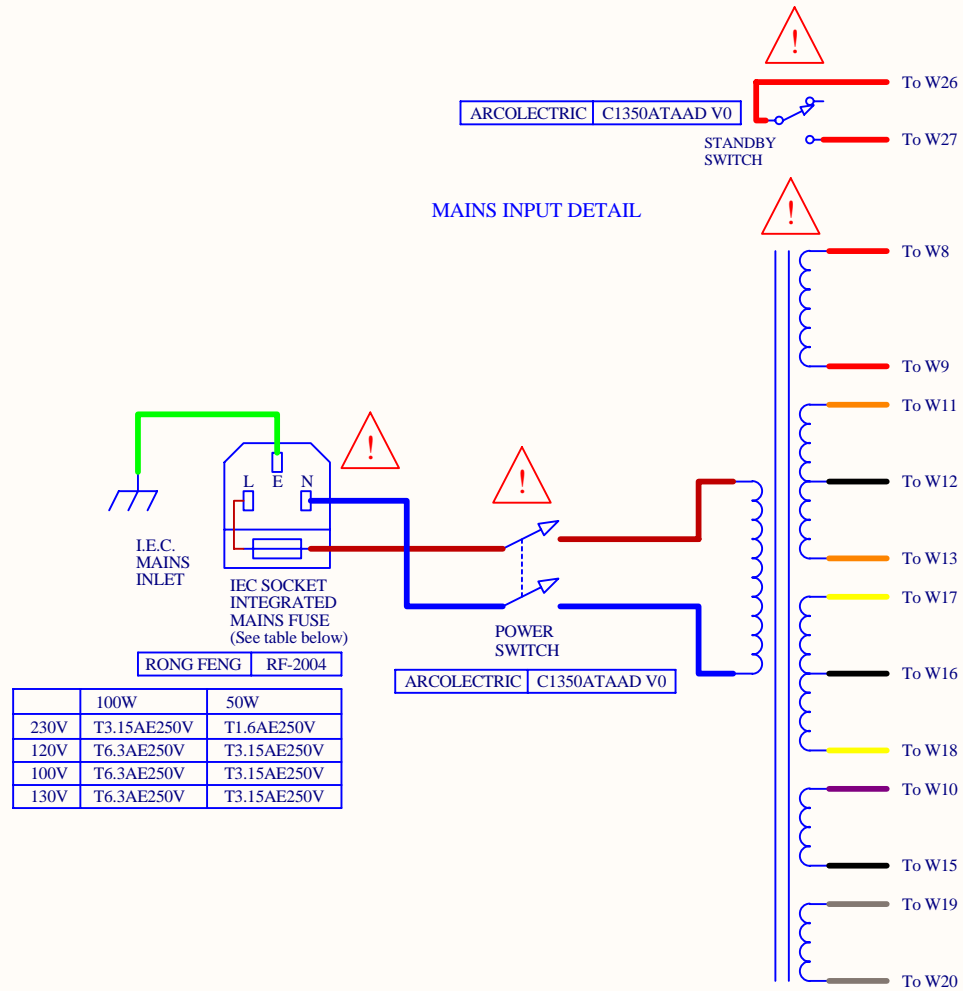
© MARSHALL AMPLIFICATION PLC  
DENBIGH ROAD, BLETCHLEY, MILTON KEYNES, MK1 1DQ.  
TEL (01908) 375411 FAX (01908) 376118

File: J:\JMD37\MAIN\_2\JMD1-60-02-2-3.SchDoc

TITLE		
<b>MAIN REAR BOARD</b>		
DWG. No.	ISS	Sheet
<b>JMD1-60-02</b>	<b>2</b>	<b>3 of 4</b>
Date: 25/01/2010		

JMD1-60-02

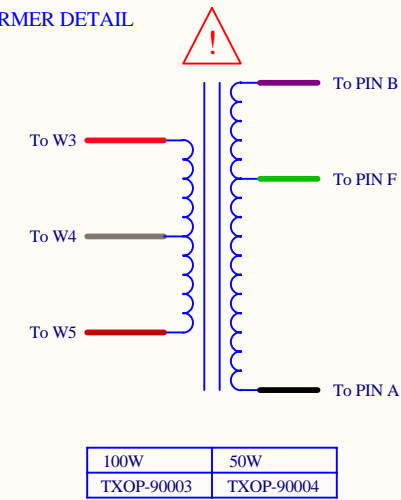
**MAINS INPUT DETAIL**



	100W	50W
230V	T3.15AE250V	T1.6AE250V
120V	T6.3AE250V	T3.15AE250V
100V	T6.3AE250V	T3.15AE250V
130V	T6.3AE250V	T3.15AE250V

	100W	50W
230V	TXMA-90027	TXMA-90028
120V	TXMA-90038	TXMA-90040
100V	TXMA-90039	TXMA-90041
130V	TXMA-90044	TXMA-90045

**OUTPUT TRANSFORMER DETAIL**



100W	50W
TXOP-90003	TXOP-90004

**SAFETY CRITICAL COMPONENTS**  
COMPONENTS MUST BE REPLACED WITH THE SAME TYPE AND RATING ONLY.

2	R99 LINK	12-10-09
1	RELEASE	24-07-09
F	F1 RATING	25-06-09
E1	MODS	16-06-09
ISS	ECO NUMBER	DATE

MATERIAL		DIMENSIONS IN mm	
MATERIAL THICKNESS		TOLERANCE (UNLESS OTHERWISE STATED)	
DRAWN S.B.	DATE 12-02-08	HOLE DIA = +/- DIMENSIONAL = +/-	
CHECKED S.R.D.	DATE ?	MODEL	
APPROVED ?	DATE ?	<b>JMD1 50W &amp; 100W</b>	



© MARSHALL AMPLIFICATION PLC  
DENBIGH ROAD, BLETCHLEY, MILTON KEYNES, MK1 1DQ.  
TEL (01908) 375411 FAX (01908) 376118

File: J:\JMD37\MAIN\_2\JMD1-60-02-2-4.SchDoc

TITLE			
<b>MAIN REAR BOARD</b>			
DWG. No.	ISS	Sheet	
<b>JMD1-60-02</b>	<b>2</b>	<b>4 of 4</b>	
Date: 25/01/2010			