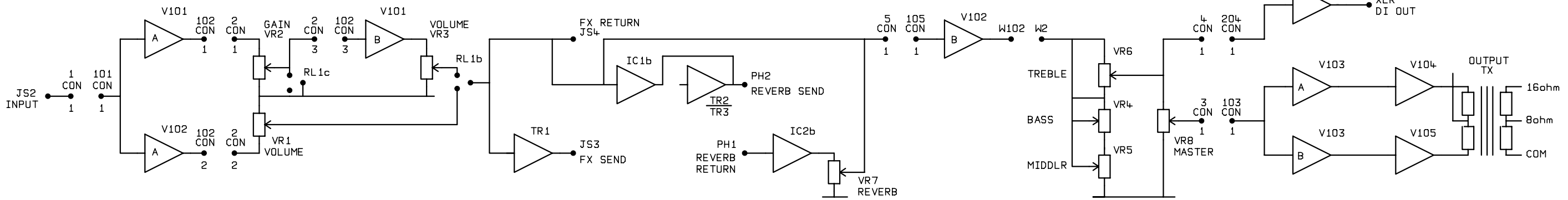


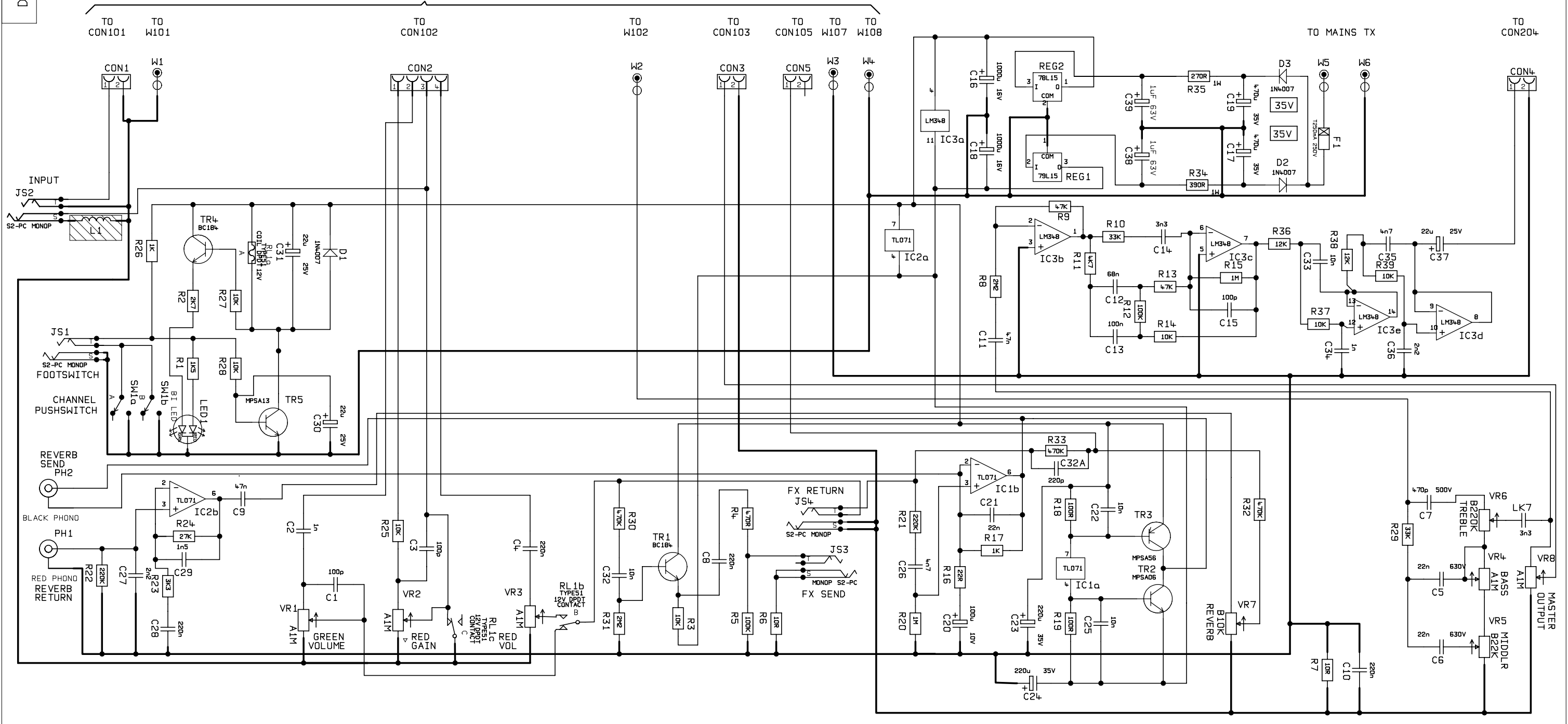
JTM3-60-02  
DWG. No.

BLOCK DIAGRAM FOR SERVICE REFERENCE ONLY



POWER PCB  
CIRCUIT DIAGRAM JTM3-61-02

OUTPUT PCB  
CIRCUIT DIAGRAM JTM3-61-02



4	0983	30/08/95	ALL OTHER HOLES =	X = (THROUGH PLATED)
3	0929	26/6/95	A	E
2	0813	15/12/94	B	F
1		05-12-94	C	G
ISS	ECO NUMBER	DATE	D	H

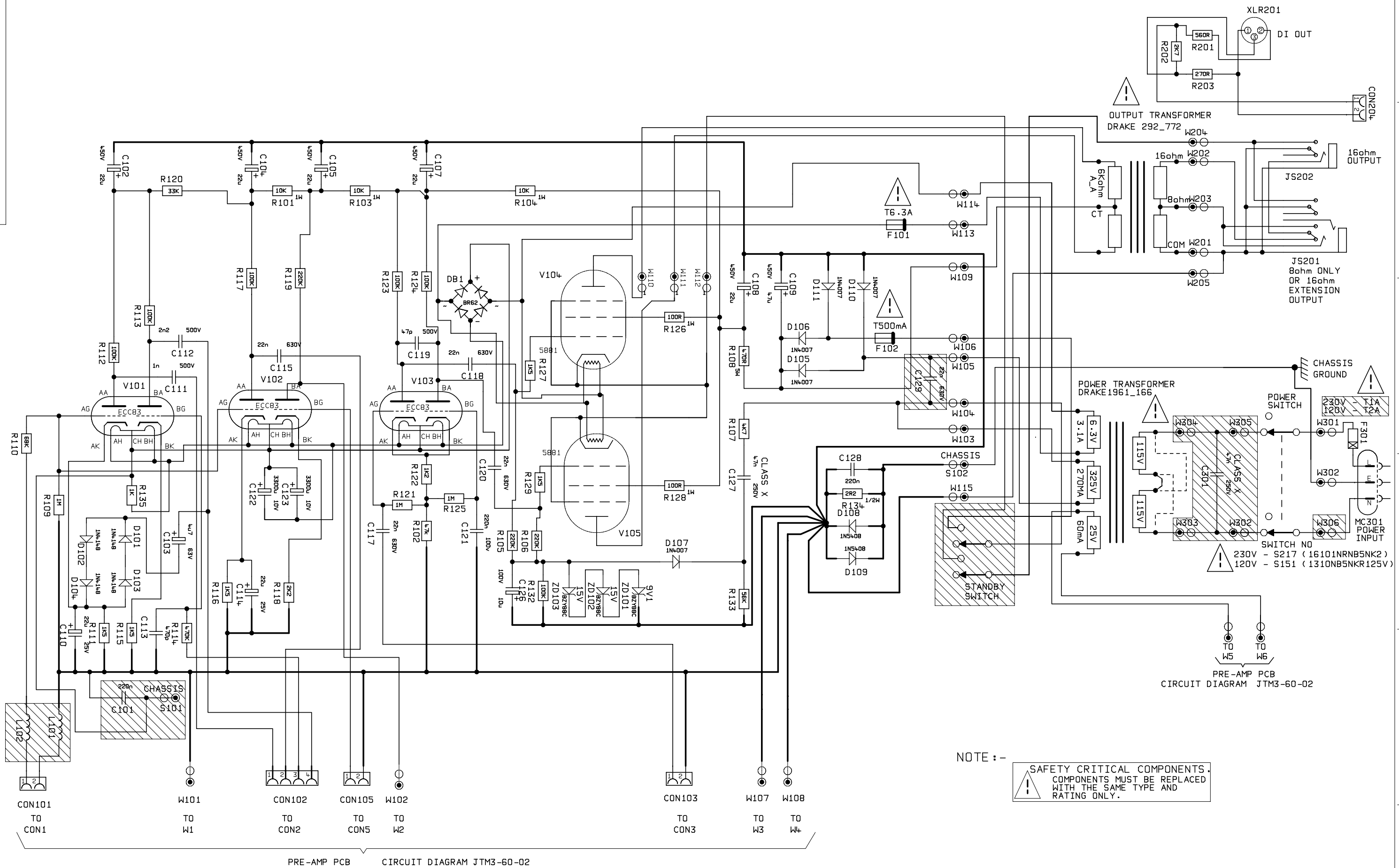
MATERIAL	DIMENSIONS IN
MATERIAL THICKNESS	TOLERANCE (UNLESS OTHERWISE STATED)
DRAWN RSB	DATE 21-11-94
CHECKED	DATE
APPROVED	DATE

**Marshall**

MARSHALL AMPLIFICATION PLC  
DENBIGH ROAD, BLETCHLEY, MILTON KEYNES, MK1 1DG.  
TEL (01908) 375411 FAX (01908) 376118

**JTM30**

TITLE	PRE-AMP BOARD CIRCUIT DIAGRAM
DWG. No	JTM3-60-02
ISS	4



PRE-AMP PCB CIRCUIT DIAGRAM JTM3-60-02

NOTE :- SAFETY CRITICAL COMPONENTS. COMPONENTS MUST BE REPLACED WITH THE SAME TYPE AND RATING ONLY.

4	0983	30/08/95	ALL OTHER HOLES =		X = (THROUGH PLATED)		MATERIAL	DIMENSIONS IN		<p>MARSHALL AMPLIFICATION PLC DENBIGH ROAD, BLETCHLEY, MILTON KEYNES, MK1 1DQ. TEL (01908) 375411 FAX (01908) 376118</p>	TITLE POWER MAINS & OUTPUT BOARDS CIRCUIT DIAGRAM DWG.No JTM3-61-02 ISS 4
3	0857	01/02/95	A	E	J	N	MATERIAL THICKNESS	TOLERANCE (UNLESS OTHERWISE STATED)			
2	0834	26/01/95	B	F	K	P	DRAWN RSB DATE 21-11-94	MODEL JTM30			
ISS	ECO NUMBER	DATE	C	G	L	Q	CHECKED DATE	APPROVED DATE			