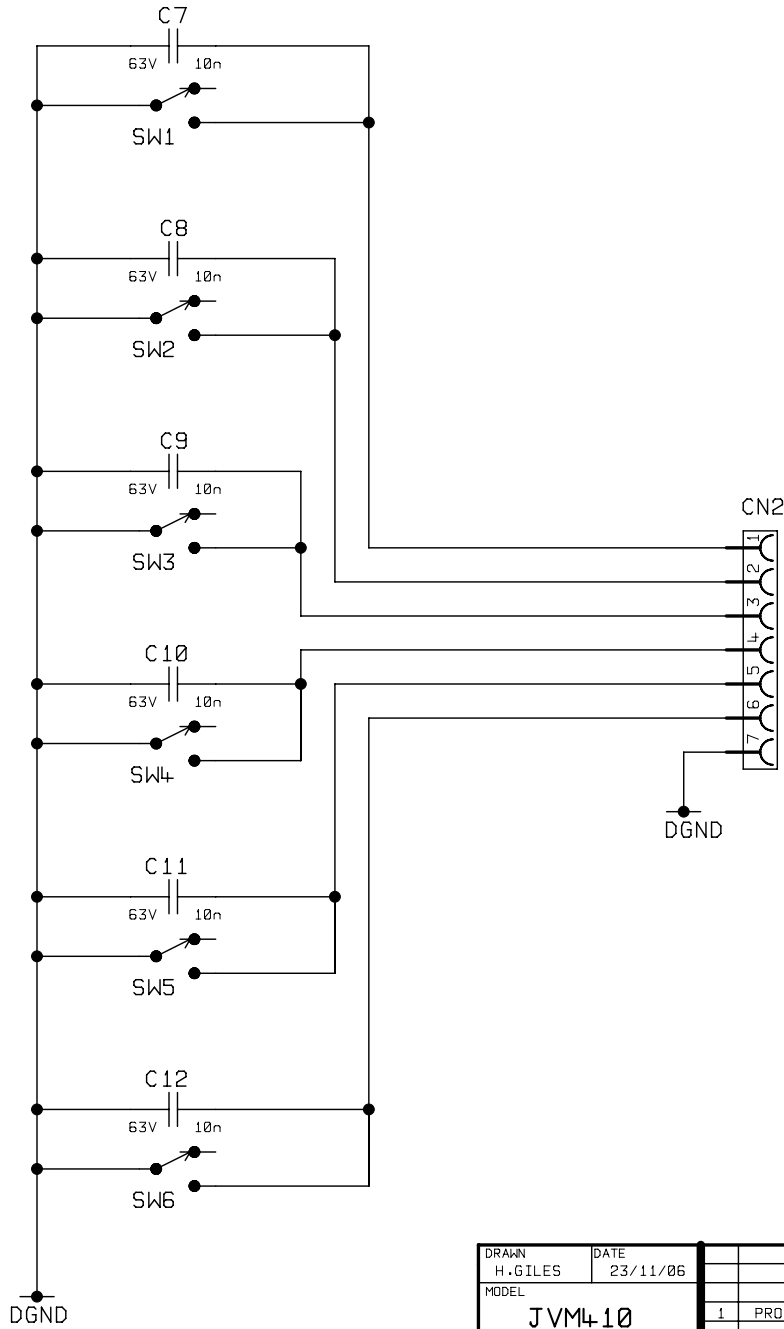


DWG . No . J VM4-10-66-02



DRAWN H.GILES	DATE 23/11/06					 © MARSHALL AMPLIFICATION PLC DENBIGH ROAD BLETCHLEY MILTON KEYNES MK1 10Q TEL (01908) 375411 FAX (01908) 376110	TITLE SWITCH x 6 PCB CIRCUIT DIAGRAM
MODEL JVM4-10		1	PRODUCTION	23/11/06			DWG.No JVM4-10-66-02