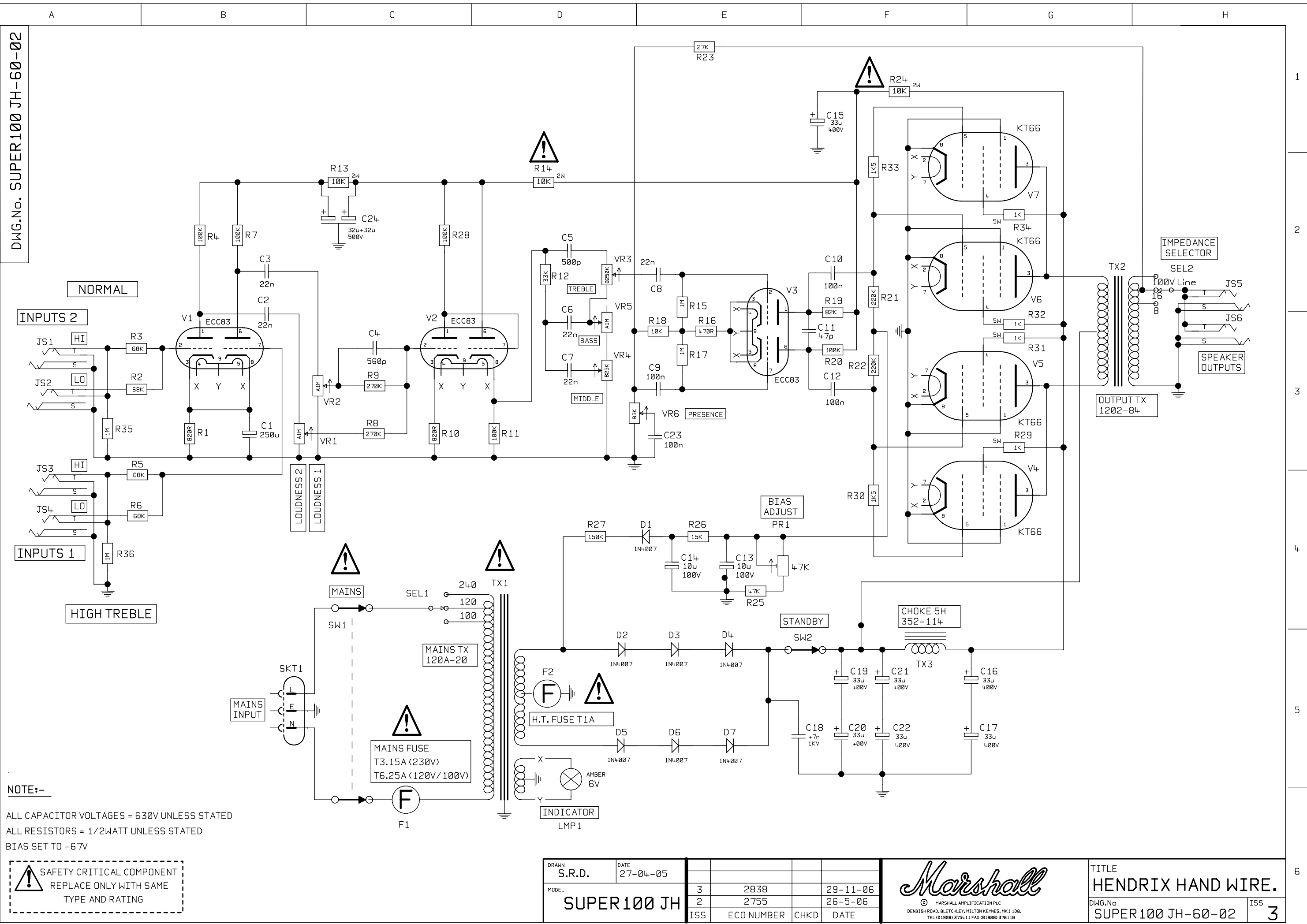


DWG.No. SUPER100 JH-60-02



**NOTE:-**  
 ALL CAPACITOR VOLTAGES = 630V UNLESS STATED  
 ALL RESISTORS = 1/2WATT UNLESS STATED  
 BIAS SET TO -67V

**SAFETY CRITICAL COMPONENT**  
 REPLACE ONLY WITH SAME  
 TYPE AND RATING

DRAWN S.R.D.	DATE 27-04-05		
MODEL SUPER100 JH	ISS ECO NUMBER	CHKD DATE	
	3 2755	29-11-06	



TITLE HENDRIX HAND WIRE.	ISS 3
DWG.No SUPER100 JH-60-02	