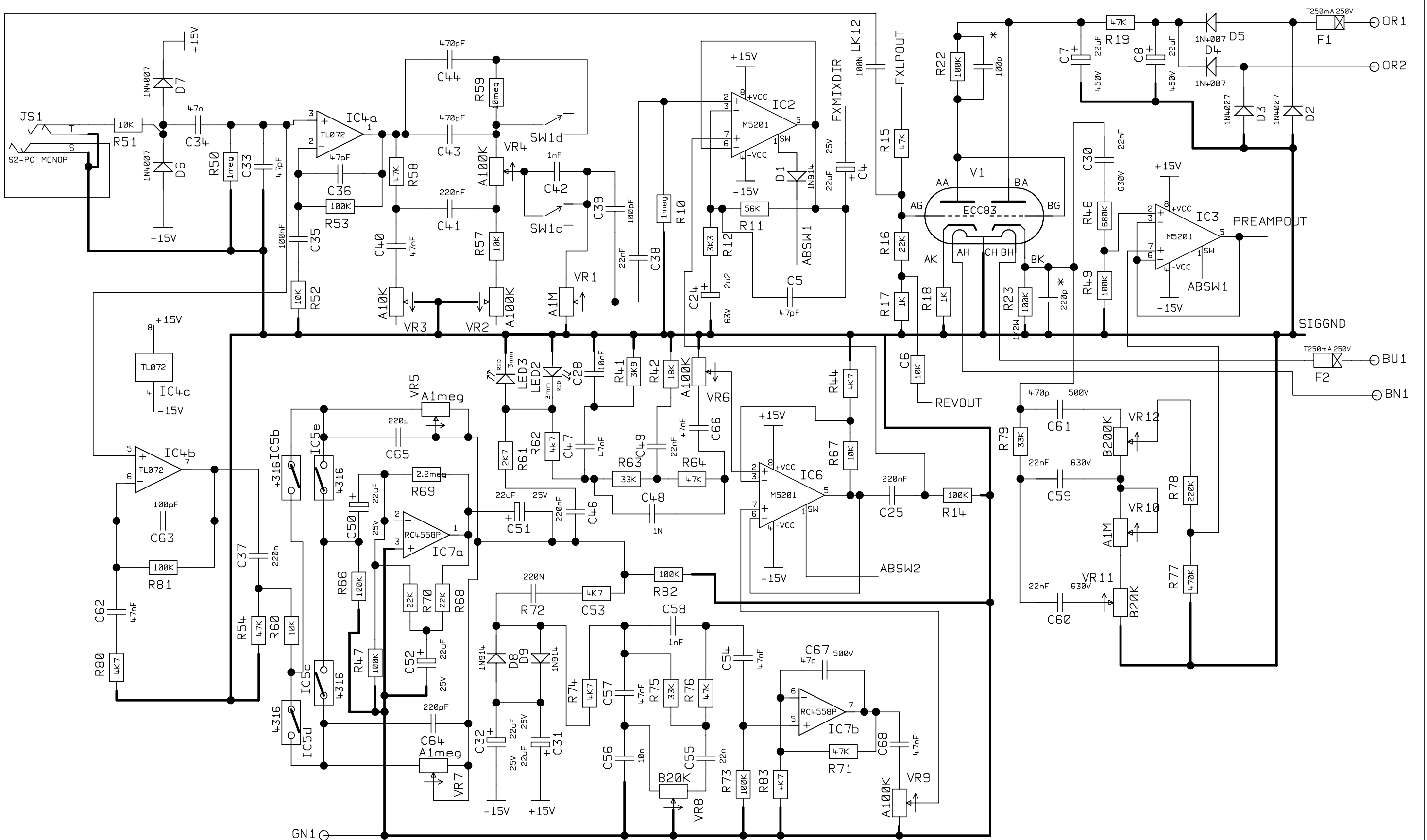



DWG.No.V100-60-02



\* CAPACITORS FITTED ON EUROPEAN UNITS ONLY. REF CONCESSION 1112

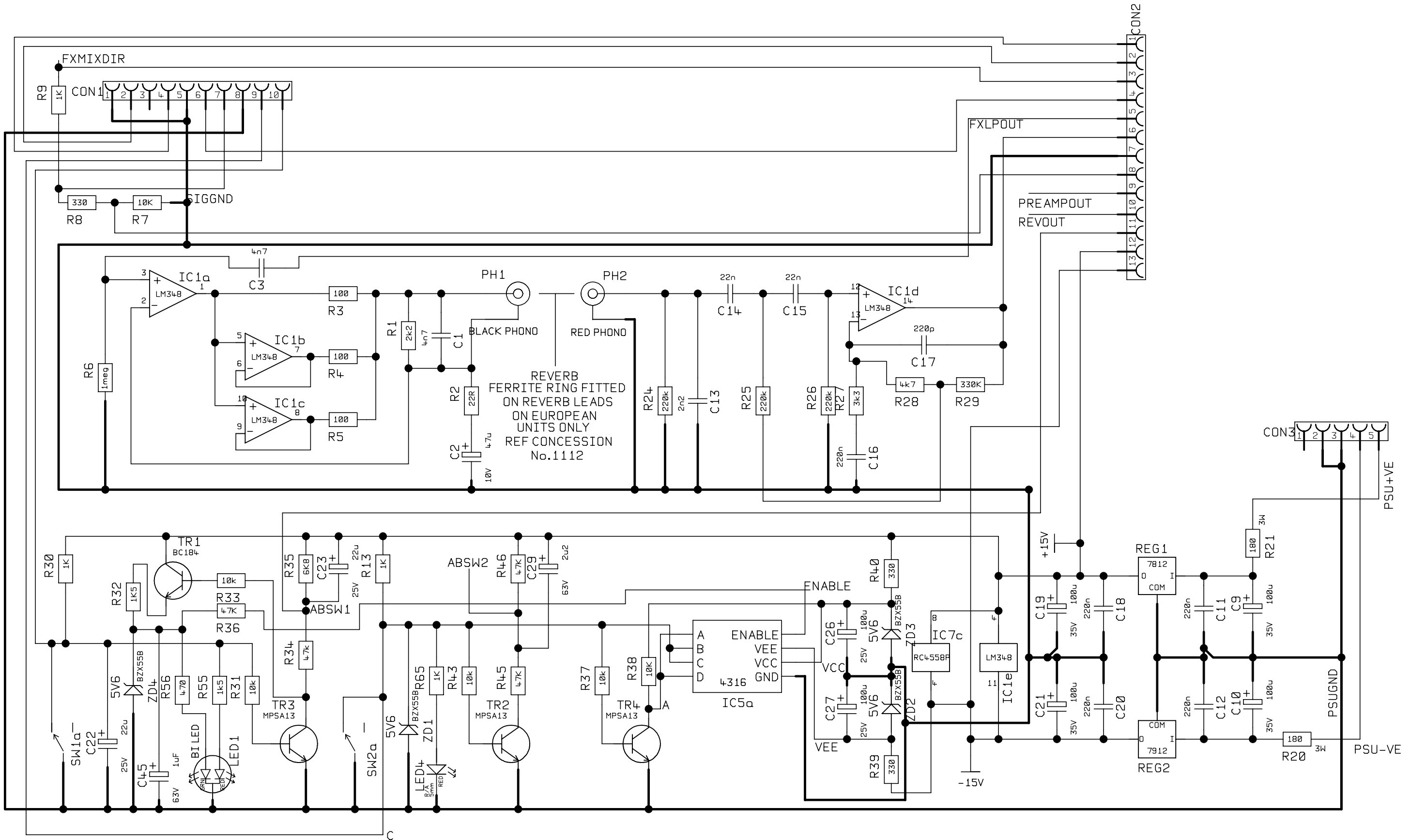
COMPONENTS C67 AND R41 NOT FITTED.

3		1164		26-04-96		A		E		J		N		MATERIAL		DIMENSIONS IN		 MARSHALL AMPLIFICATION PLC DENBIGH ROAD, BLETCHLEY, MILTON KEYNES, MK1 1DQ. TEL: (01908) 375111 FAX (01908) 376118		TITLE		PRE AMP PCB		SHT 1 OF 2					
2		1110		13-2-96		B		F		K		P		DRAWN SG		DATE 17_11_95				MODEL		VS100		DWG.No		V100-60-02		ISS	
ISS		ECO NUMBER		DATE		D		H		M		R		CHECKED		DATE		APPROVED											

ALL OTHER HOLES = X = (THROUGH PLATED)

MATERIAL THICKNESS  
 DATE 17\_11\_95  
 MODEL VS100

TITLE PRE AMP PCB  
 SHT 1 OF 2  
 DWG.No V100-60-02  
 ISS 3



REVERB  
FERRITE RING FITTED  
ON REVERB LEADS  
ON EUROPEAN  
UNITS ONLY  
REF CONCESSION  
No.1112

3	1164	26-04-96	A	F	J	N
2	1110	13-2-96	B	G	K	P
ISS	ECO NUMBER	DATE	C	H	L	Q
			D		M	R

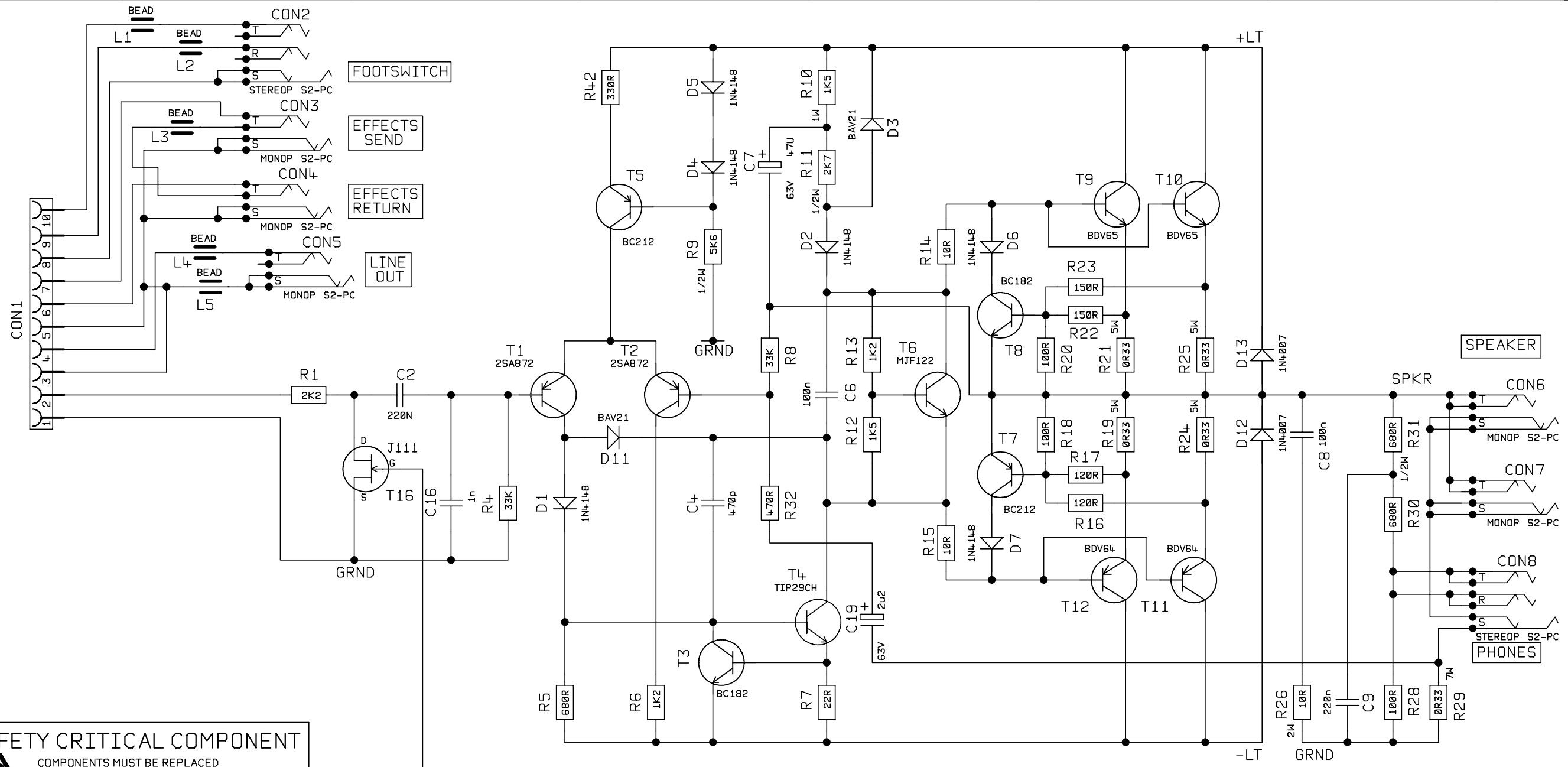
ALL OTHER HOLES = X = (THROUGH PLATED)

MATERIAL THICKNESS		DIMENSIONS IN	
DRAWN SG		TOLERANCE (UNLESS OTHERWISE STATED)	
CHECKED	DATE 17 11 95	MODEL	VS100
APPROVED	DATE		

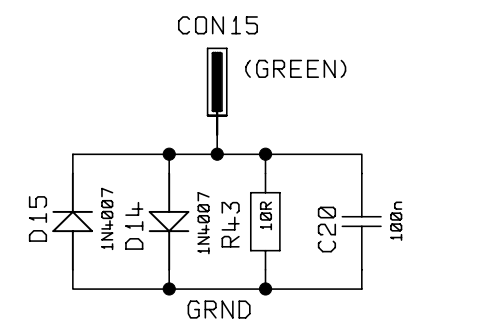
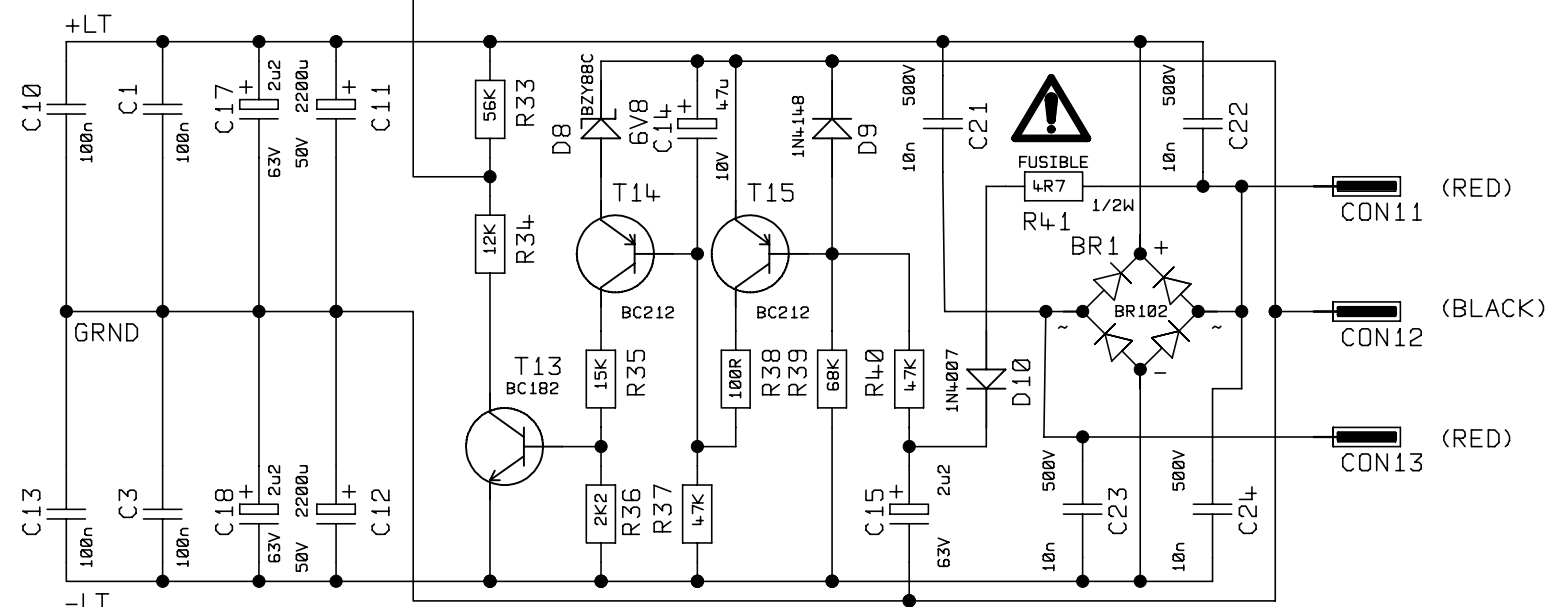
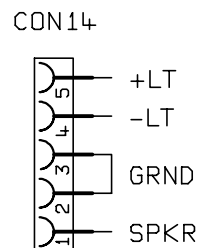


TITLE	PRE AMP PCB SHT 2 OF 2
DWG.No	V100-60-02
ISS	3

V100-62-02.DGM



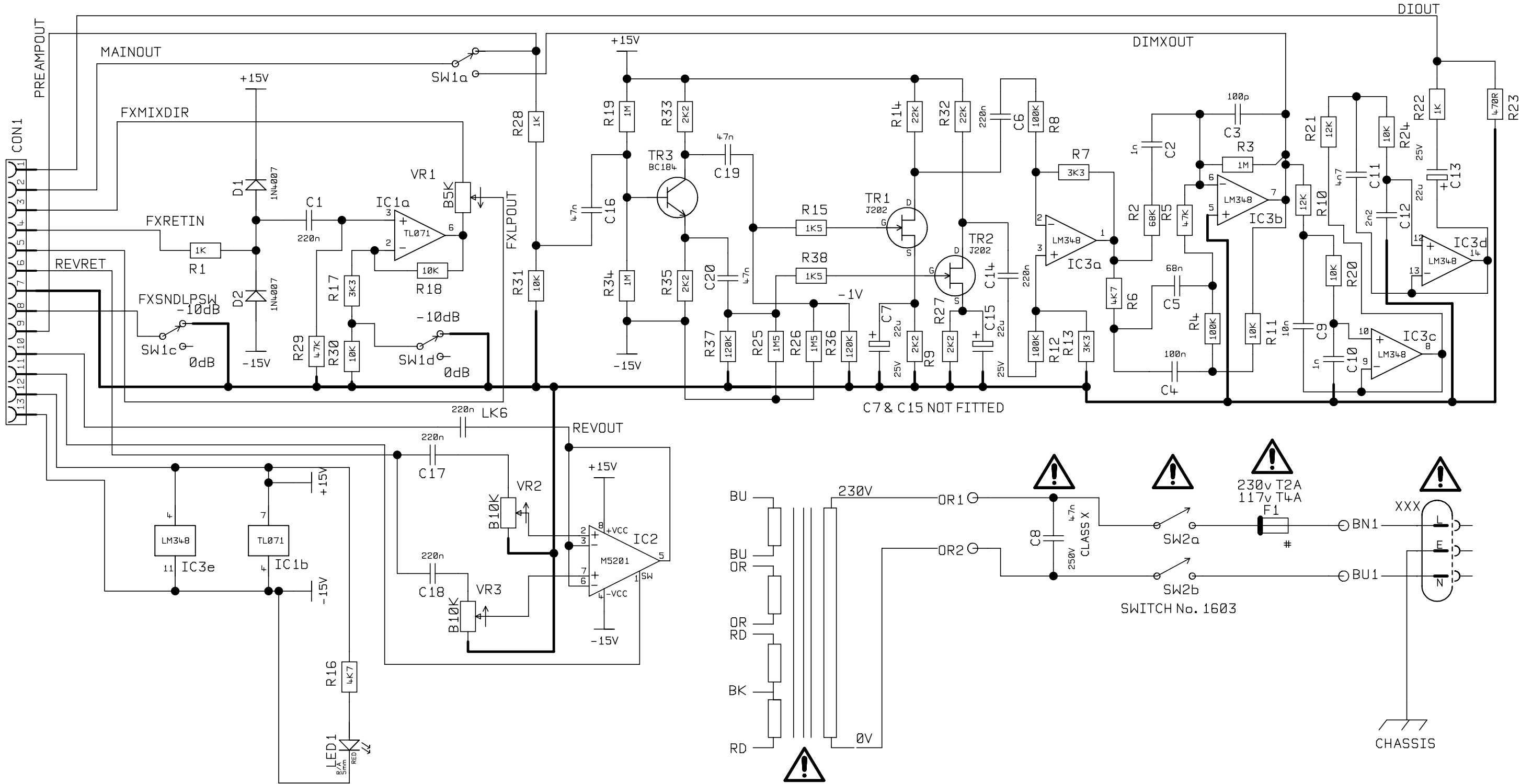
**SAFETY CRITICAL COMPONENT**  
 COMPONENTS MUST BE REPLACED WITH THE SAME TYPE AND RATING ONLY



R27 & C5 NOT FITTED

2		1686/7		15/10/98		ALL OTHER HOLES =		X = (THROUGH PLATED)		MATERIAL		DIMENSIONS IN				TITLE VS100 POWER MODULE DWG.No V100-62-02.DGM ISS 2	
ISS		ECO NUMBER		DATE		A		B		MATERIAL THICKNESS		TOLERANCE (UNLESS OTHERWISE STATED)					
A		B		C		D		E		F		G		H			

© JIM MARSHALL (PRODUCTS) LTD.  
 DENBIGH ROAD, BLETCHLEY, MILTON KEYNES, MK1 1DQ.  
 TEL (0908)375411 FAX (0908)376118



TRANSFORMER No.:-  
 230V = 96B-1  
 100V = 96B-5  
 117V = 96B-4

4	1164	26-04-96	ALL OTHER HOLES =				X = (THROUGH PLATED)			
3	FUSE RATINGS REVERSED	14-2-96	A	E	J	N	B	F	K	P
2	1110	13-2-96	B	F	L	Q	C	G	M	R
ISS	ECO NUMBER	DATE	D	H	M	R				

MATERIAL		DIMENSIONS IN	
MATERIAL THICKNESS		TOLERANCE (UNLESS OTHERWISE STATED)	
DRAWN SG	DATE 14_9_95		
CHECKED	DATE	MODEL VS100	
APPROVED	DATE		



TITLE VS100 DAUGHTER PCB	
DWG.No V100-61-02	ISS 4