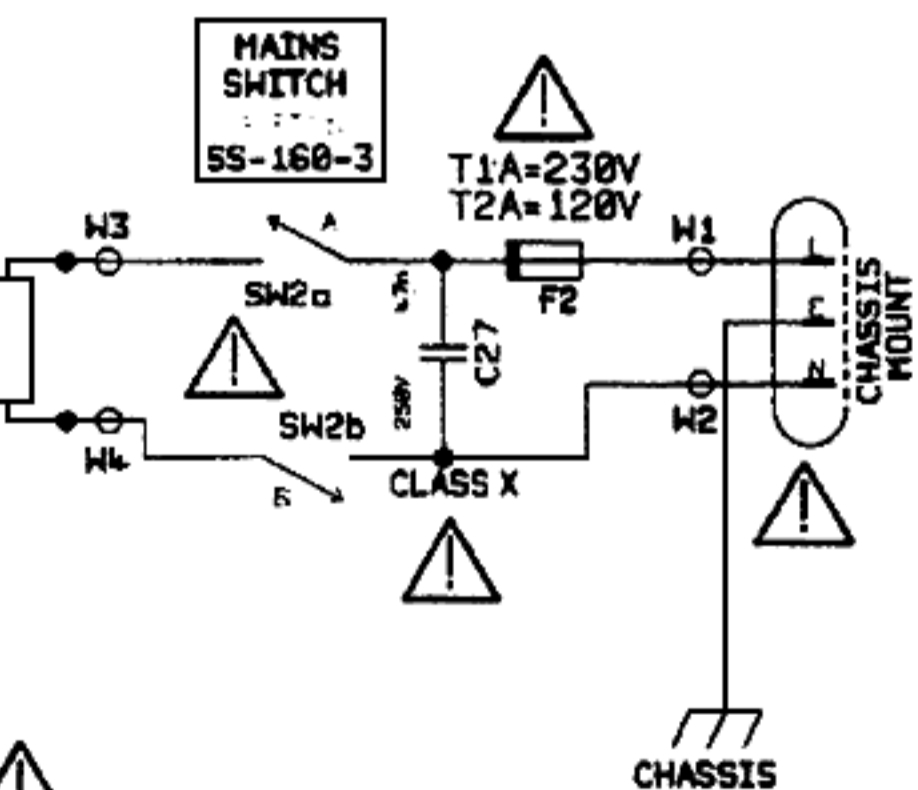
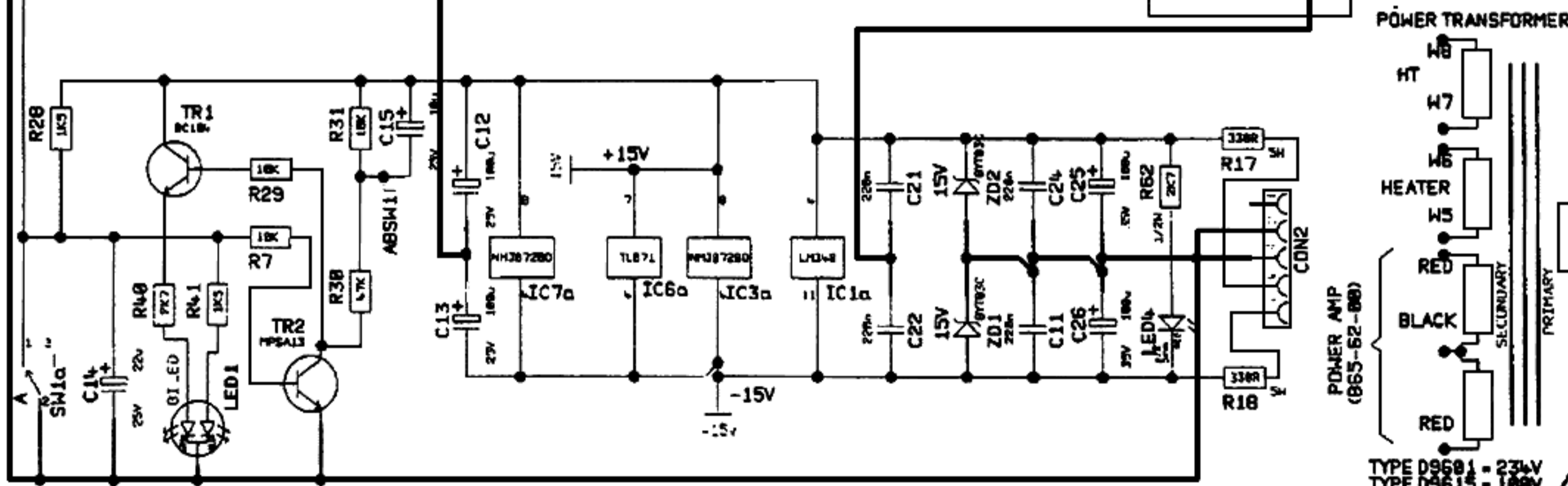


**SAFETY CRITICAL COMPONENTS**  
COMPONENTS MUST BE REPLACED  
WITH THE SAME TYPE AND  
RATING ONLY

NOTES:- ALL RESISTORS 1/4W UNLESS STATED



TYPE D9601 = 230V  
TYPE D9615 = 100V  
TYPE D9614 = 117V

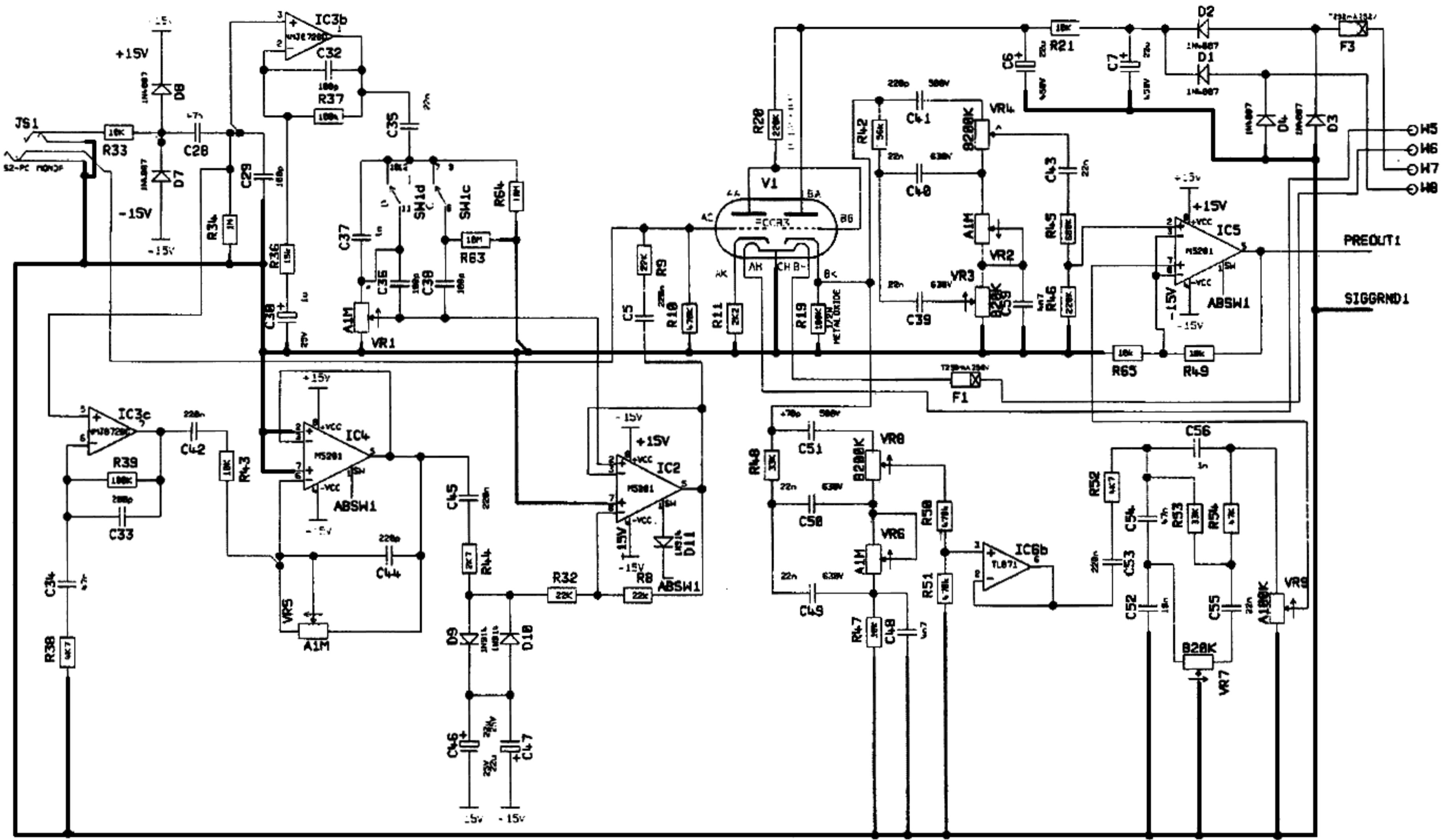
4	1065	1/4/96	ALL OTHER HOLES -		X = (THROUGH PLATED)			MATERIAL	CONFORMING TO
3	1137	28/3/96	A	E	J	N	MATERIAL CHECKED	TOLEANCE UNLESS OTHERWISE STATED	
2	1117	5/3/96	B	F	K	P	DRAWN S6	DATE 6 9 95	
1	PRE-PRODUCTION	27/12/95	C	G	L	Q	CHECKED KSM	DATE 1 4 96	
SS	ECO NUMBER	DATE	D	H	M	R	APPROVED	DATE	

DATE	1/4/96
DATE	1/4/96



TITLE VS65 PRE-AMP  
PAGE 1 of 2

DWG.No VS65-60-02.DGM ISS 4

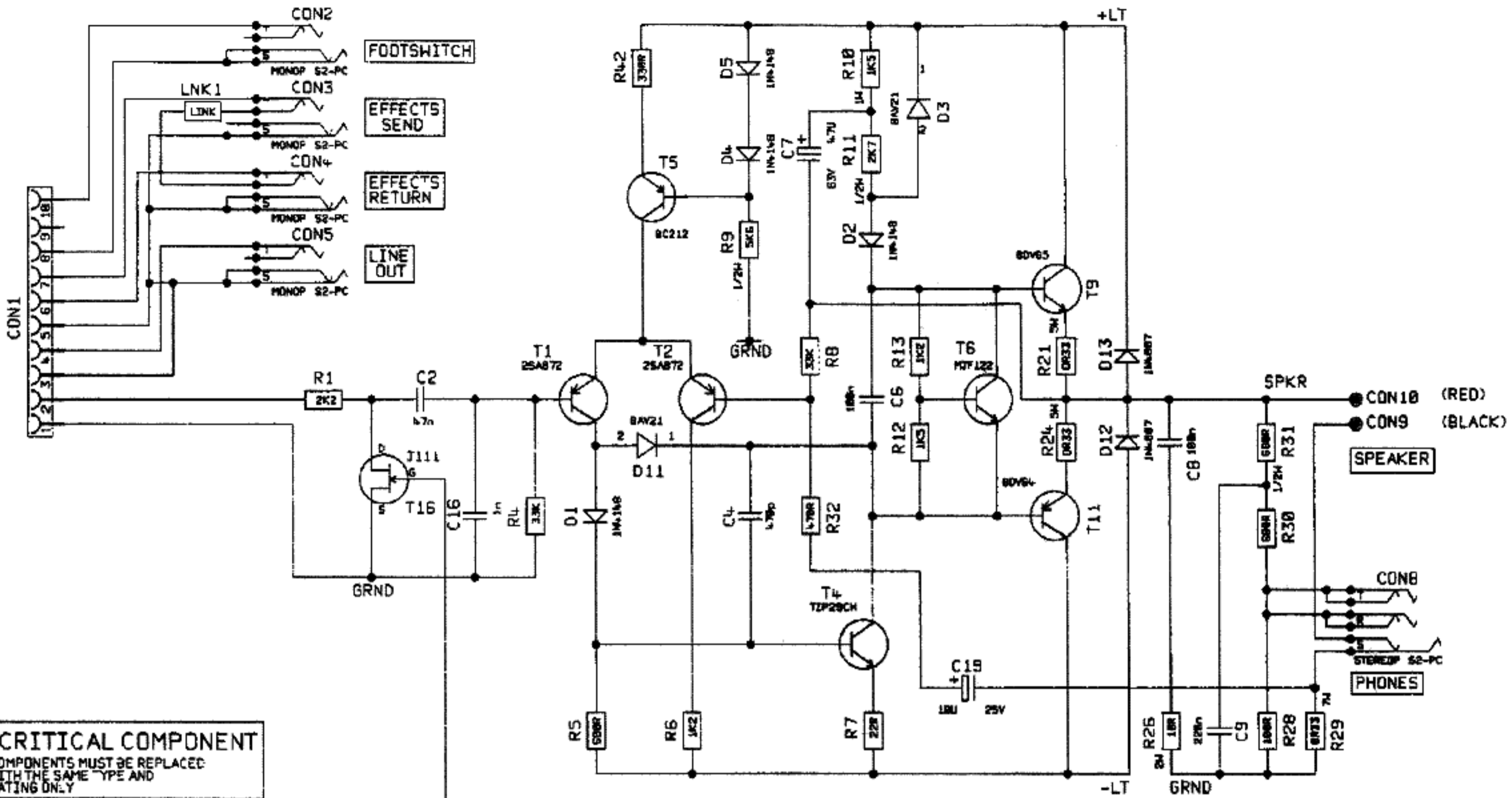


4	1845	1/4/96	ALL OTHER HOLES	X - (THROUGH PLATED)	MATERIAL
3	1137	28/3/96	A	E	J
2	1117	5/3/96	B	F	K
1	PRE-PRODUCTION	27/10/95	C	G	L
ISS	ECC NUMBER	DATE	D	H	M

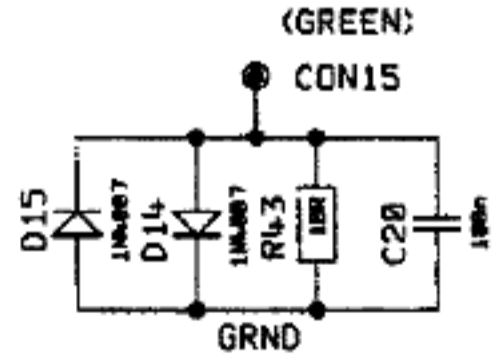
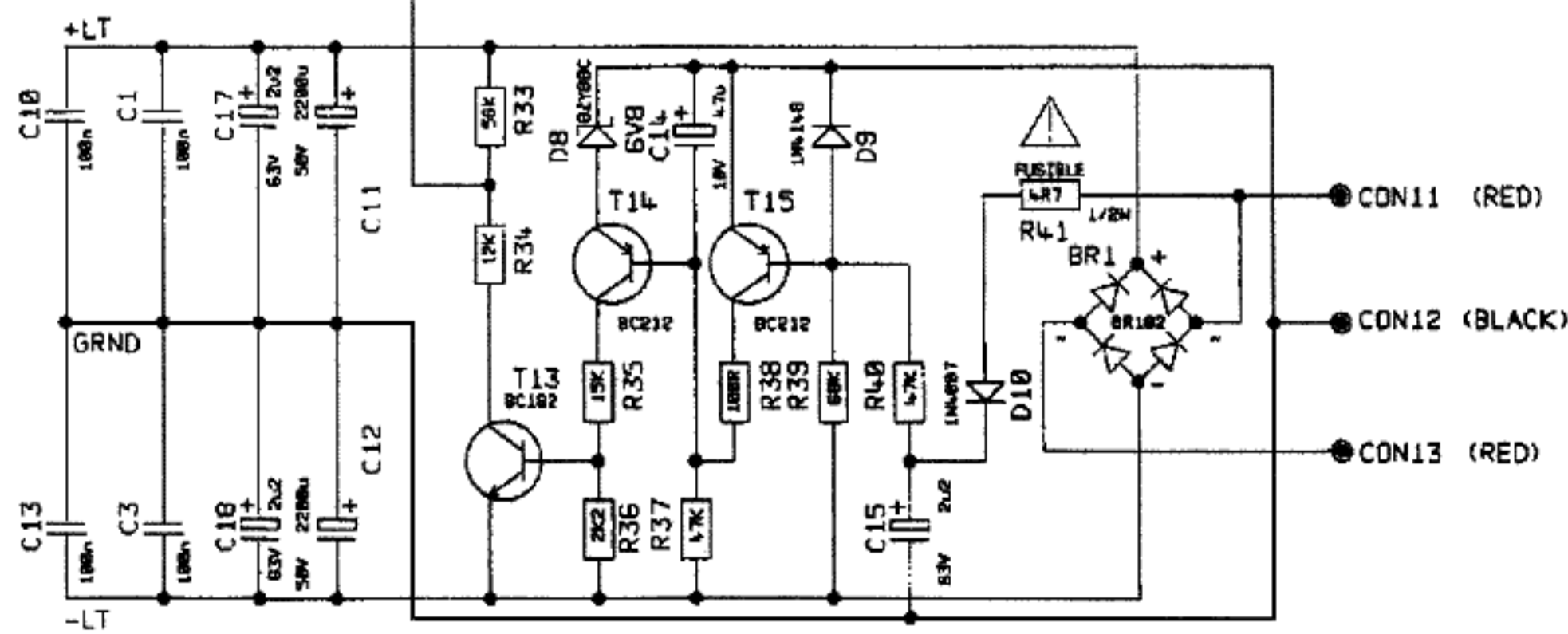
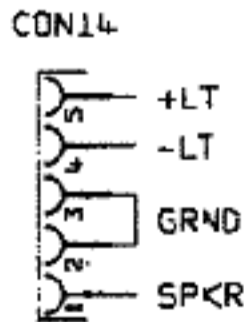
MATERIAL THICKNESS DRAW SG CHECKED KS APPROVED	DATE 4.9.95 DATE 1-4-96 DATE
---	------------------------------------



TITLE	VS65 PRE-AMP
PAGE	2 OF 2
DWG.No	VS65-60-02.DGM
ISS	4



**SAFETY CRITICAL COMPONENT**  
 COMPONENTS MUST BE REPLACED WITH THE SAME TYPE AND RATING ONLY



igncrblays 7

ALL OTHER HOLES =		X = (THROUGH PLATED)		MATERIAL		DIMENSIONS IN		TITLE VS65 POWER MODULE	Dwg.No VS65-61-02.DGM	1	
A	E	J	N	MATERIAL THICKNESS	TOLERANCE (UNLESS OTHERWISE STATED)	DATE	MODEL				
1	PRE-PRODUCTION	27/10/95				08.09.95					
ISS	ECONUMBER	DATE									