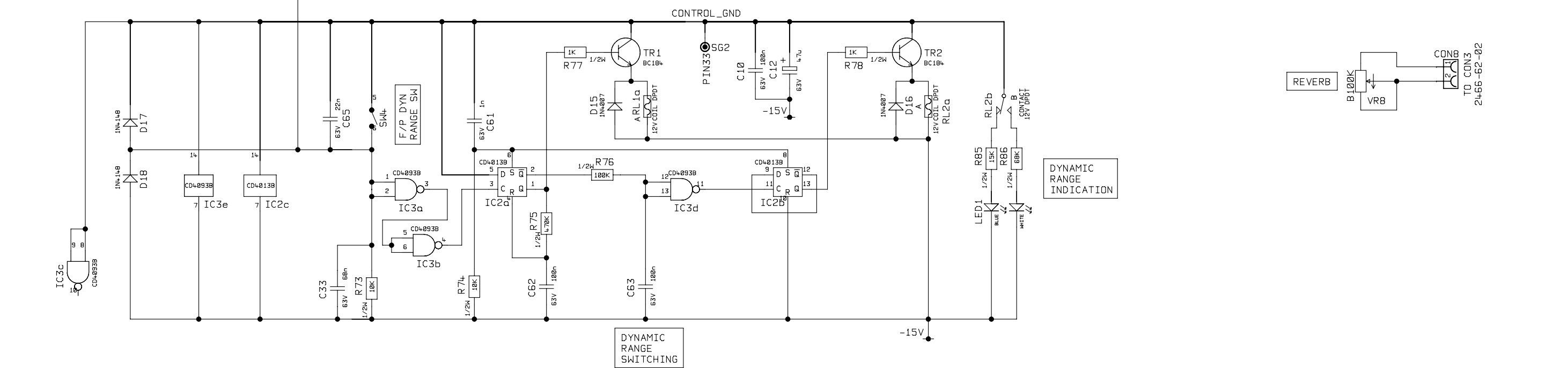
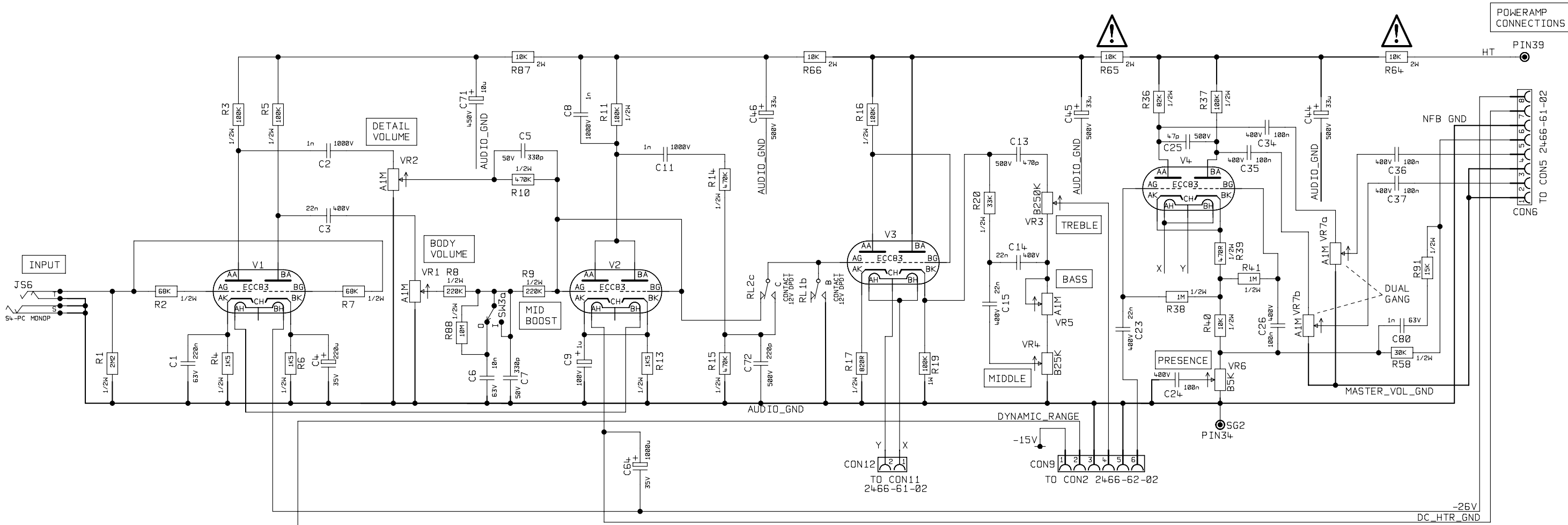


DWG.No. 2466-60-02



SAFETY CRITICAL COMPONENT
REPLACE ONLY WITH SAME
TYPE AND RATING

ignorelayers 4

DRAWN	S.R.D.	DATE	07-09-05
MODEL	2466		
ISS	3	RELEASE	08-09-06
	2	PRE-PROD	21-07-06
	ISS	ECO NUMBER	CHK
		DATE	

Marshall
MARSHALL AMPLIFICATION PLC
DENBIGH ROAD, BLETCHLEY, MILTON KEYNES, MK1 1DQ.
TEL (01908) 375411 FAX (01908) 376118

TITLE	PREAMP	
DWG.No	2466-60-02	ISS 3