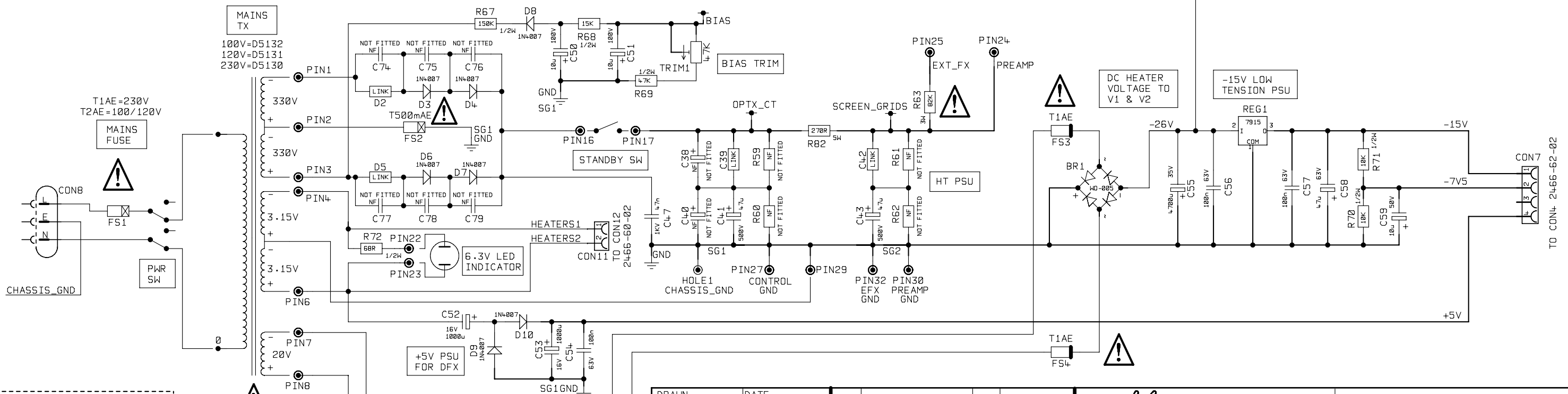
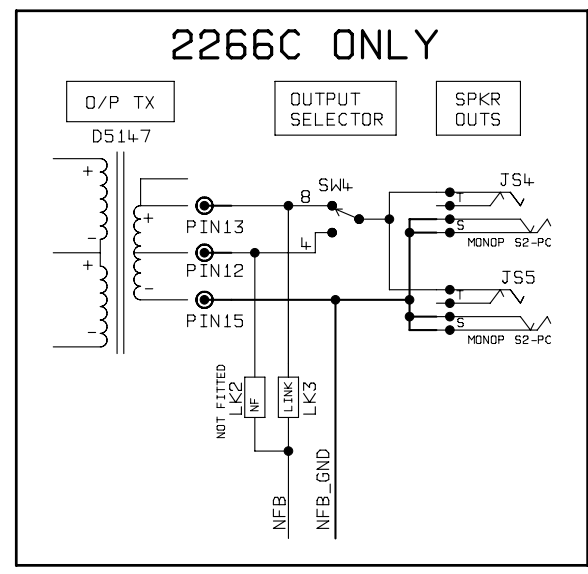
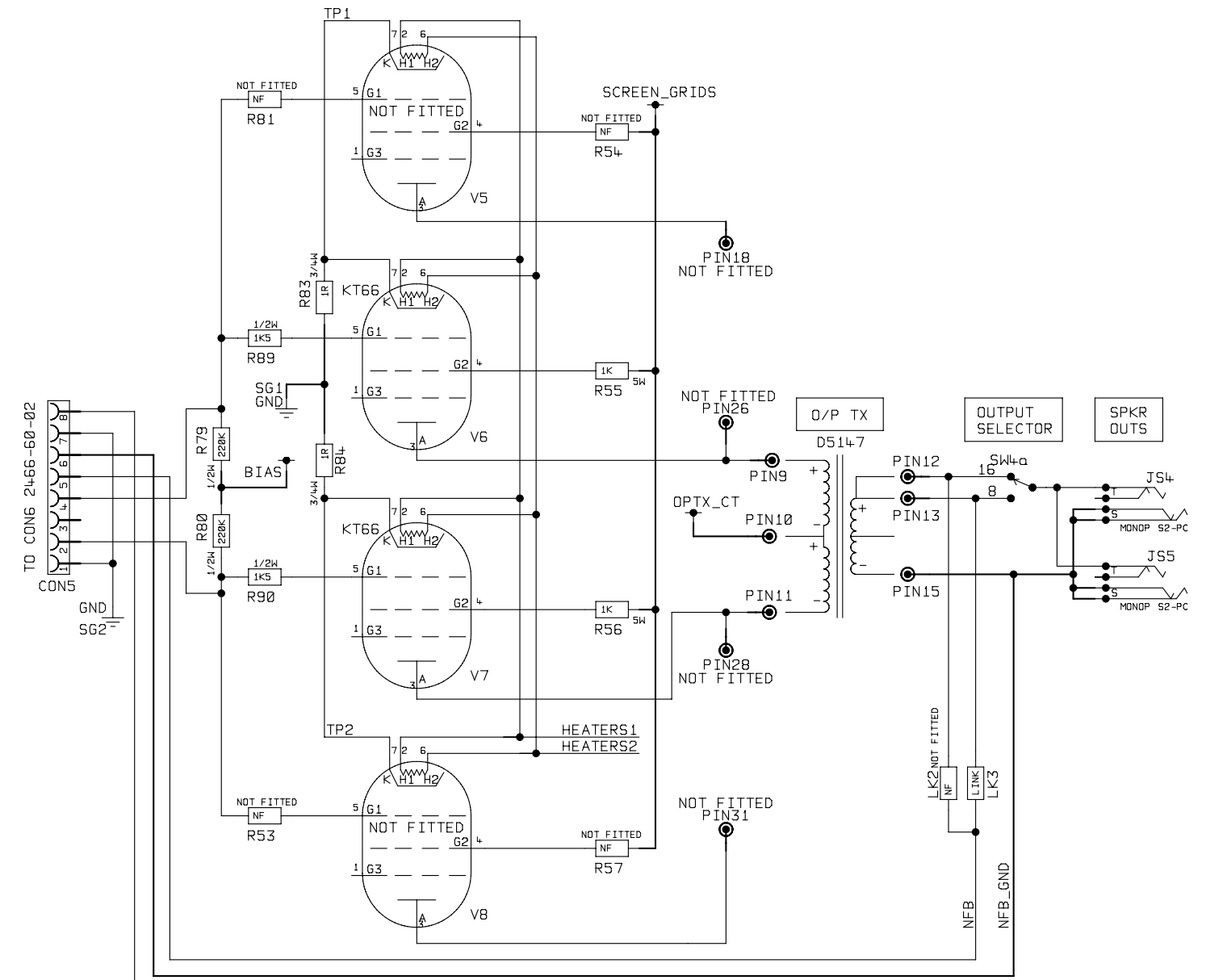


SET THE BIAS TRIM POT TO GIVE 4.8mV (+/- 2.5mV) AT TP1 & TP2 WRT GROUND. BALANCE THE ERROR BETWEEN TP1 & TP2 EITHER SIDE OF 4.8mV.

EXAMPLE:  
4.7mV AT TP1 AND 4.9mV AT TP2.



**SAFETY CRITICAL COMPONENT**  
REPLACE ONLY WITH SAME TYPE AND RATING

DRAWN	S.R.D.	DATE	05-09-05
MODEL	2266/C		
ISS	3	50W DRG RELEASED	23-11-06
ISS		ECD NUMBER	CHK
		DATE	

**Marshall**  
MARSHALL AMPLIFICATION PLC  
DENBIGH ROAD, BLETCHLEY, MILTON KEYNES, MK1 1DQ.  
TEL (01908) 375411 FAX (01908) 376118

TITLE	50W POWERAMP	
DWG.No	2266-61-02	ISS 3