

MESA/BOOGIE[®]

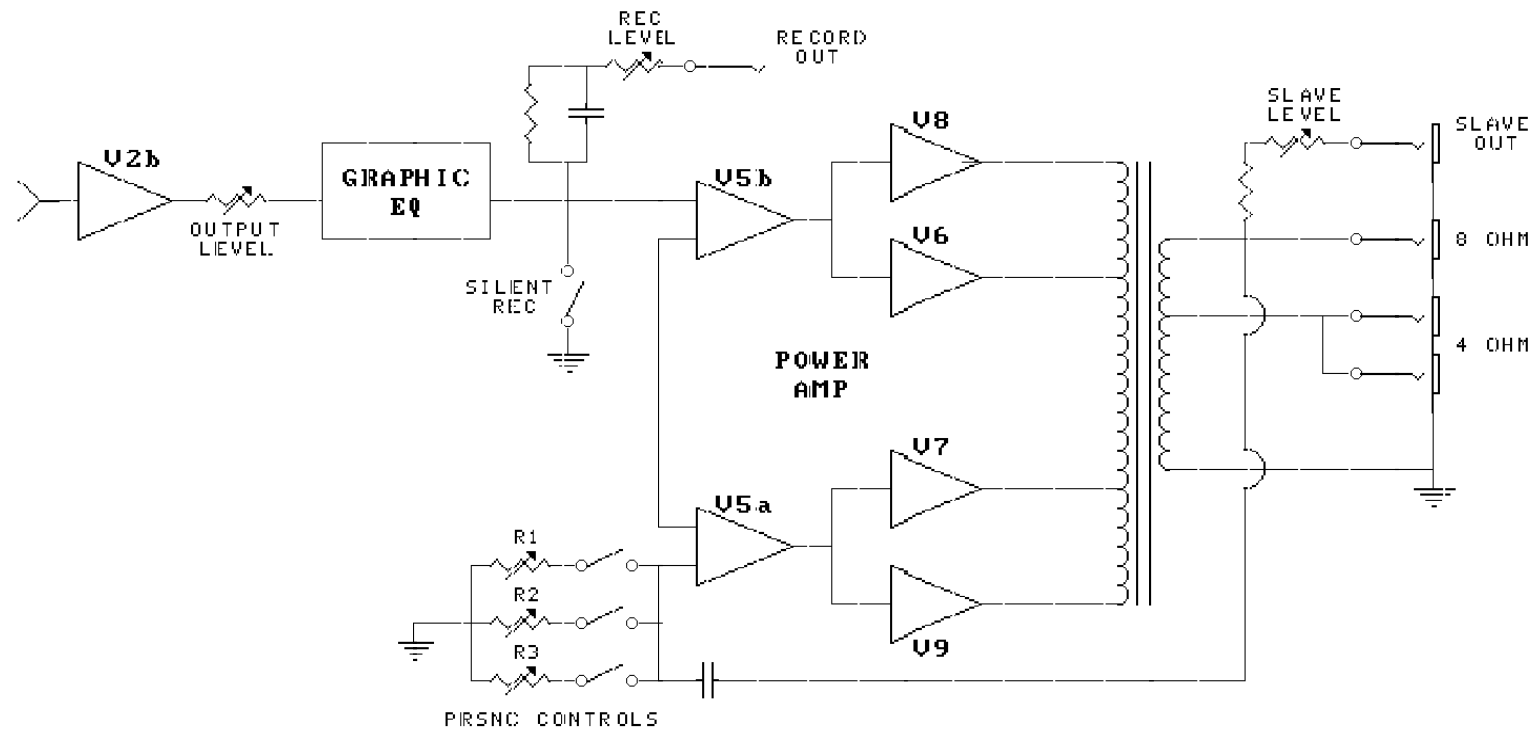
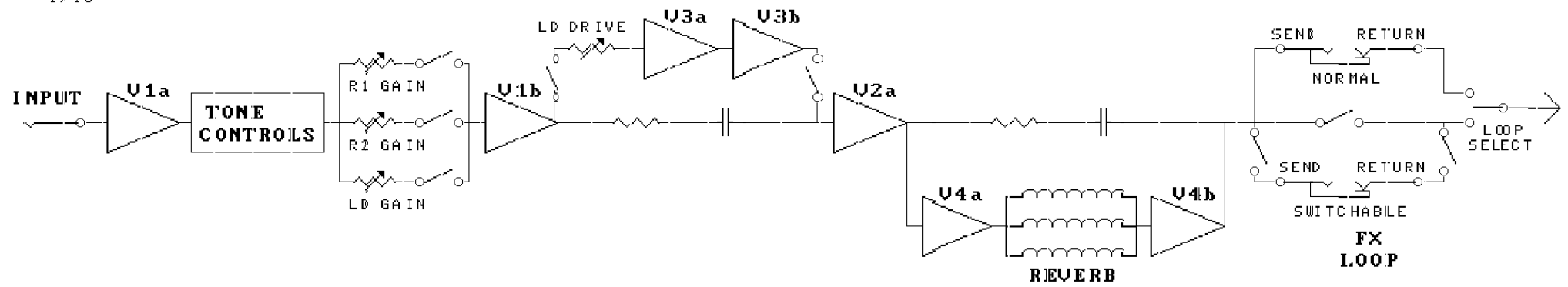
Mark IV

MESA-BOOGIE MARK IV

BLOCK DIAGRAM

FILE MK4BLOCK.S01

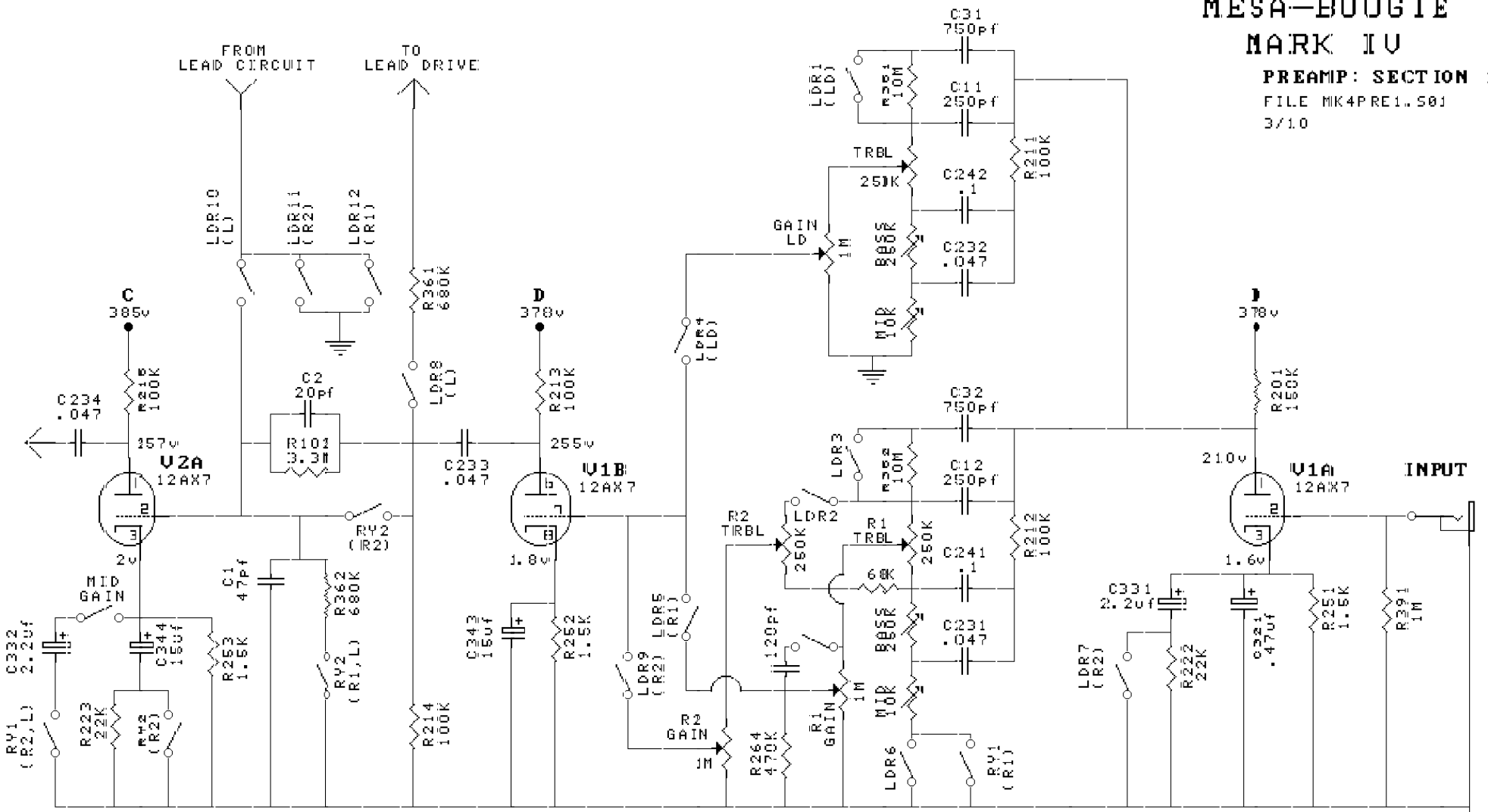
1/10



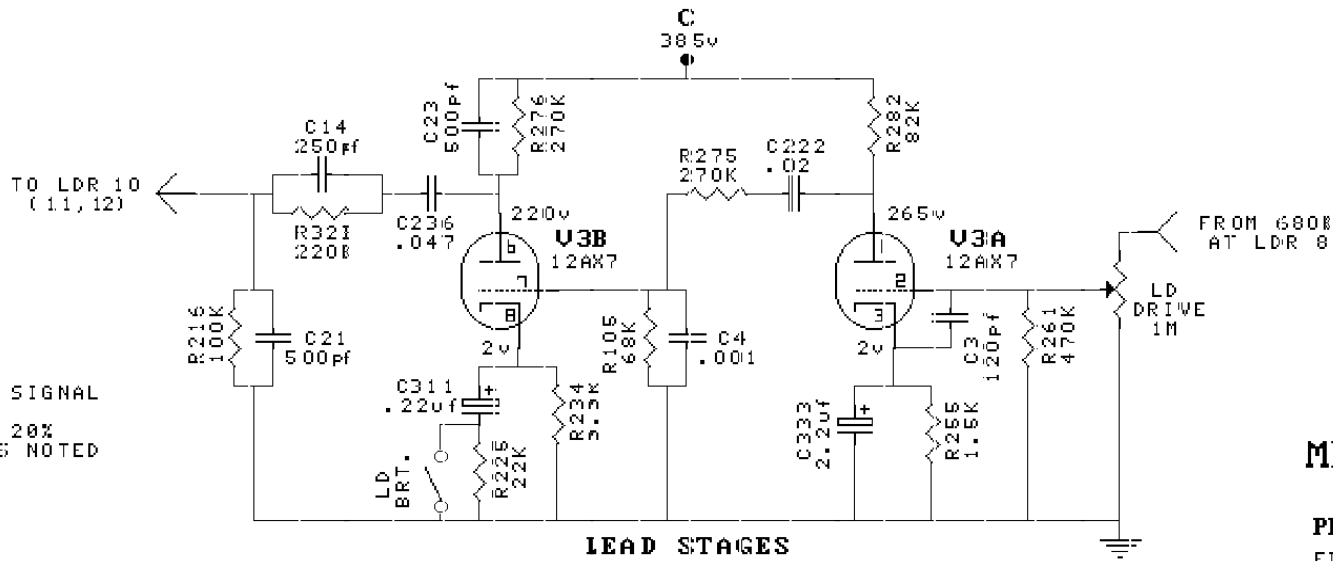
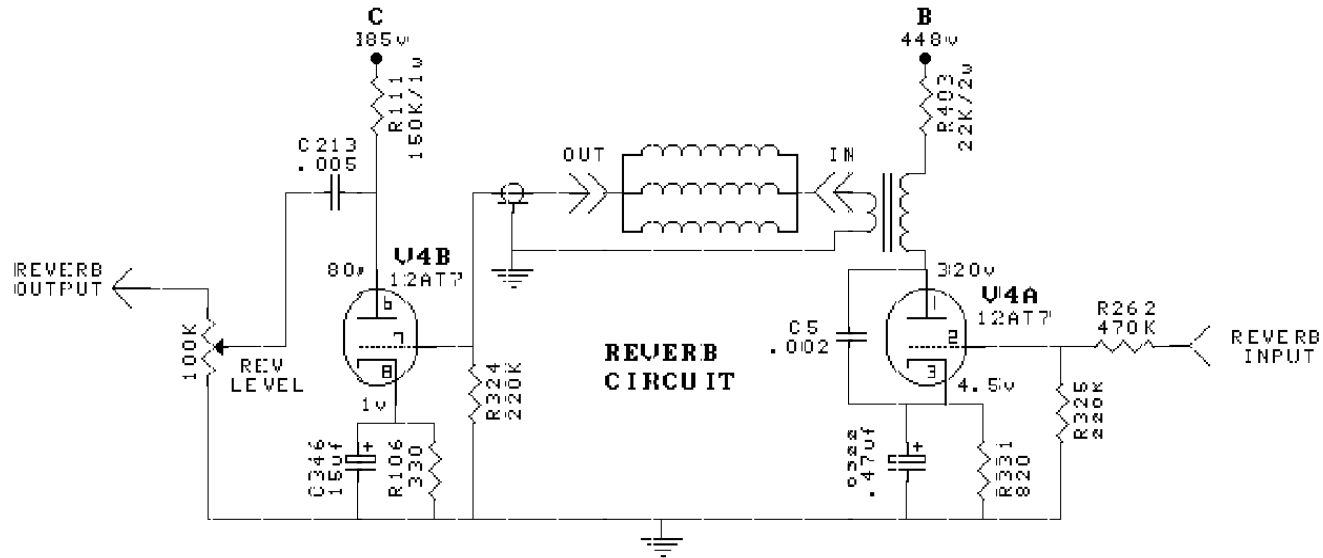
MESA-BOOGIE MARK IV

PREAMP: SECTION 1

FILE MK4PRE1.S0J
3/10

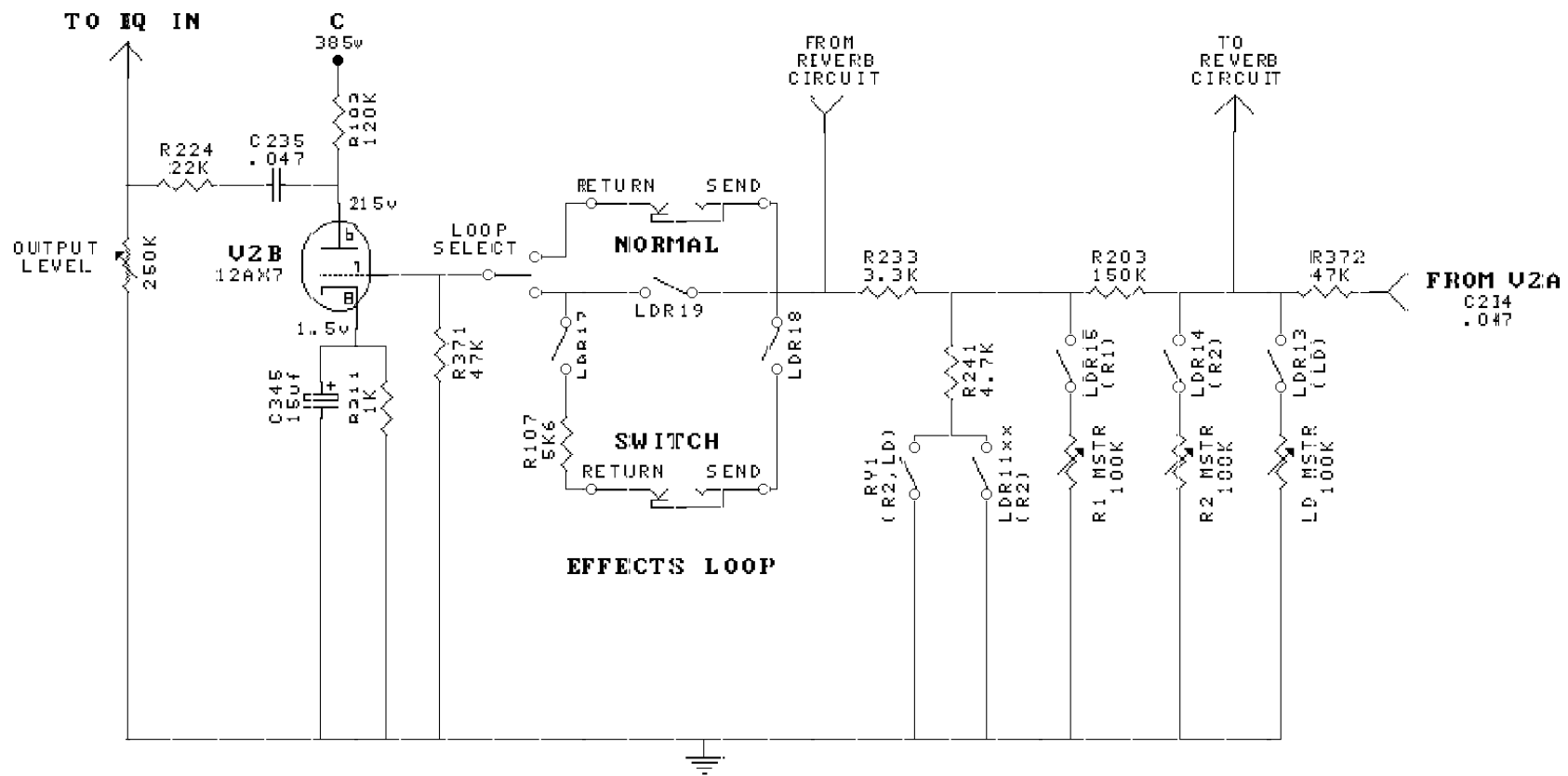


VOLTAGES MEASURED NO SIGNAL
117V AC MAINS
DC VOLTAGES MAY VARY 20%
RESISTORS 1/2W UNLESS NOTED



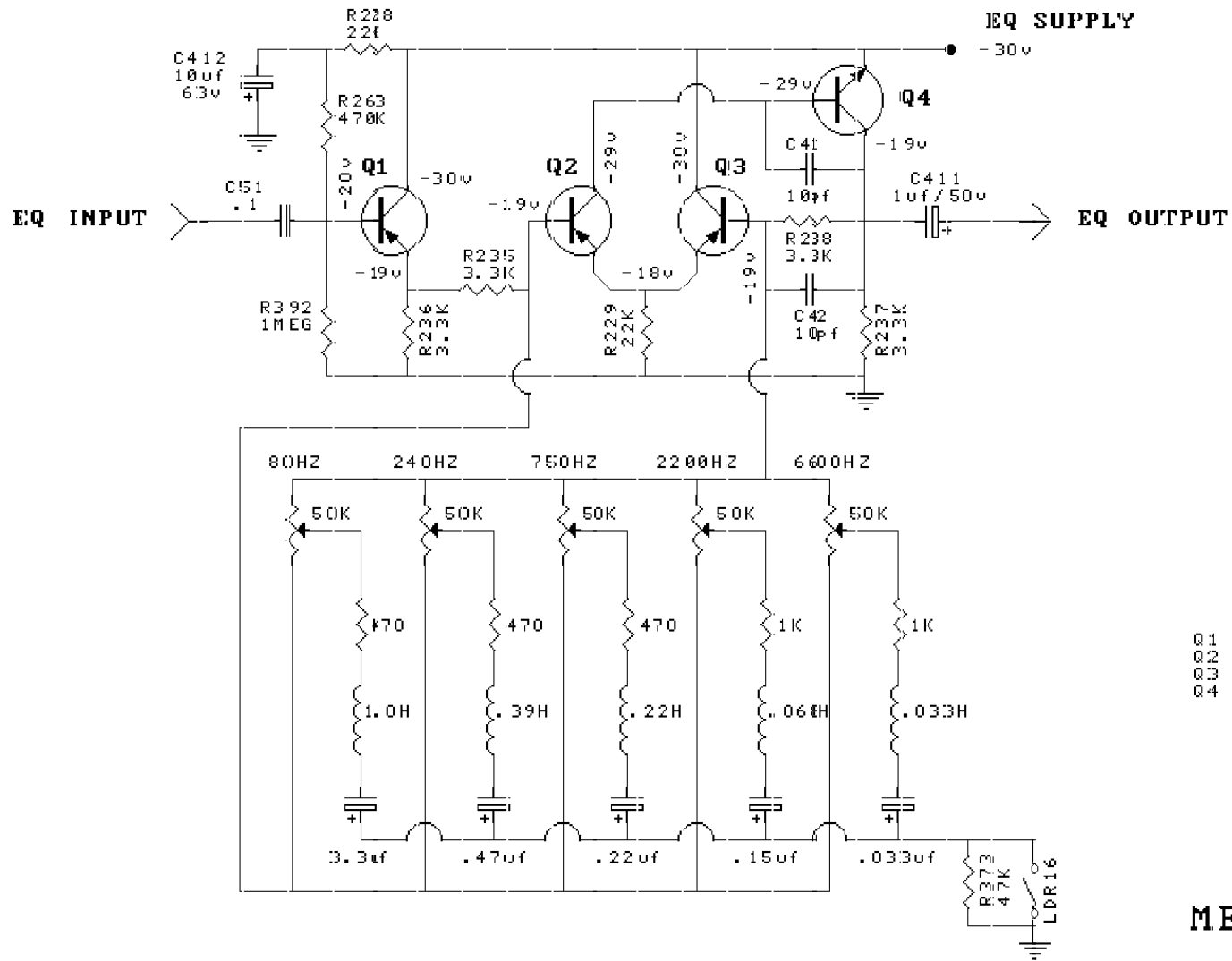
VOLTAGES MEASURED NO SIGNAL
 117V AC MAINS
 DC VOLTAGES MAY VARY 20%
 RESISTORS 1/2W UNLESS NOTED

MESA-BOOGIE
 MARK I V
 PREAMP: SECTION 2
 FILE MK4PRE2.S01
 4/10



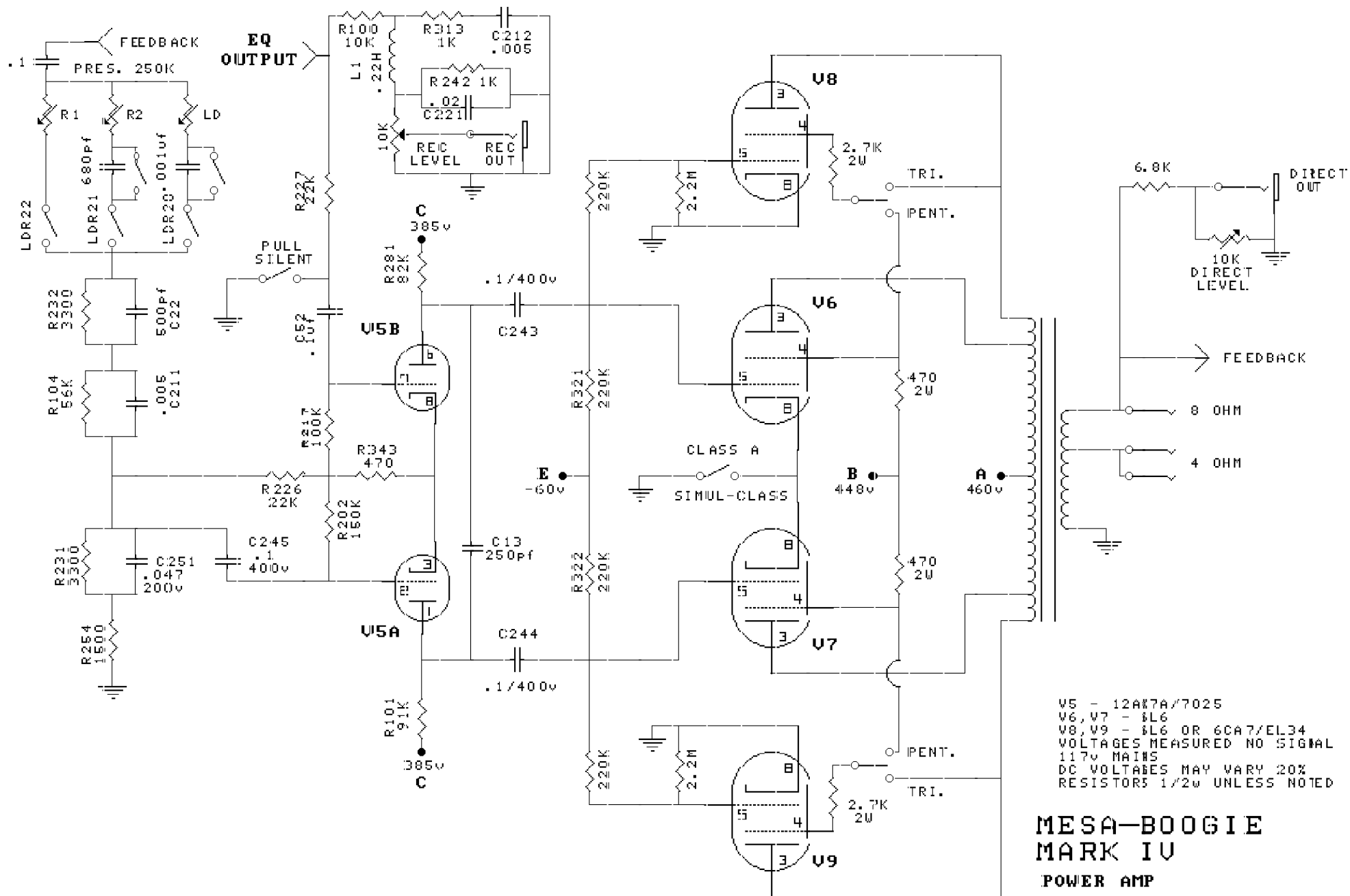
VOLTAGES MEASURED NO SIGNAL
 117v AC MAINS
 DC VOLTAGES MAY VARY 20%
 RESISTORS 1/2w UNLESS NOTED

MESA--BOOGIE
MARK IV
PREAMP: SECTION 3
 FILE MK4PRE3.S01
 5/10



**MESA-BOOGIE
 MARK I U
 GRAPHIC EQ**

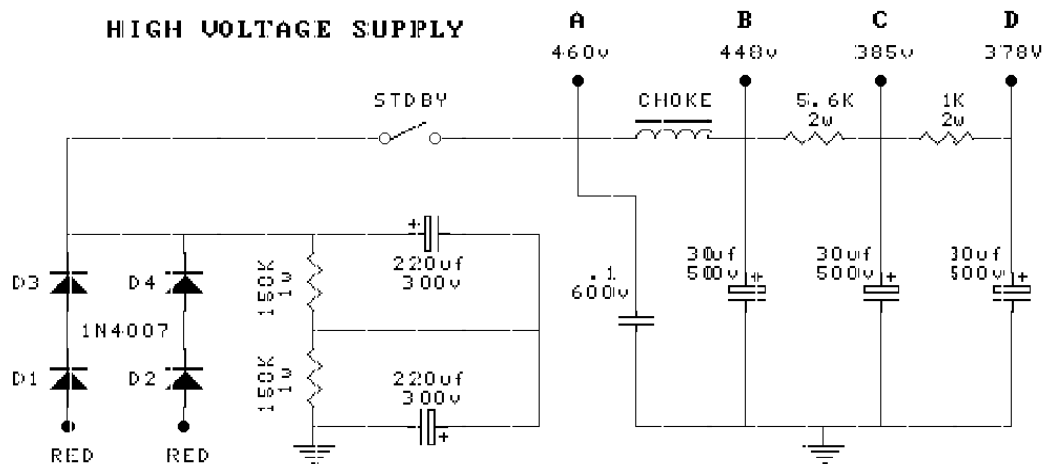
FILE EQMK4.S01
 6/10



V5 - 12A7A/7025
 V6, V7 - 6L6
 V8, V9 - 6L6 OR 6CA7/EL34
 VOLTAGES MEASURED NO SIGNAL
 117v MAINS
 DC VOLTAGES MAY VARY 20%
 RESISTORS 1/2w UNLESS NOTED

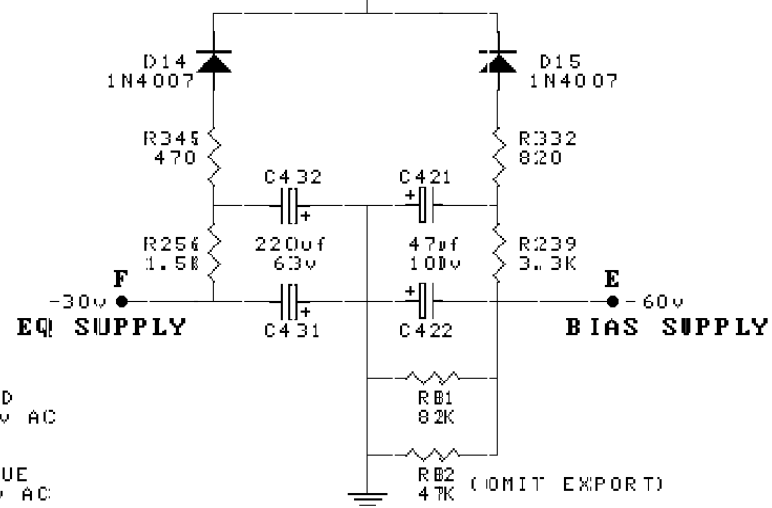
**MESA-BOOGIE
 MARK I
 POWER AMP**

HIGH VOLTAGE SUPPLY



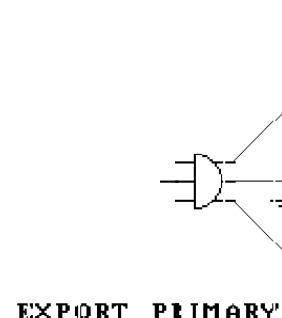
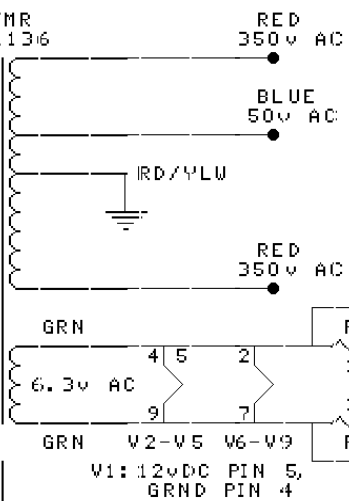
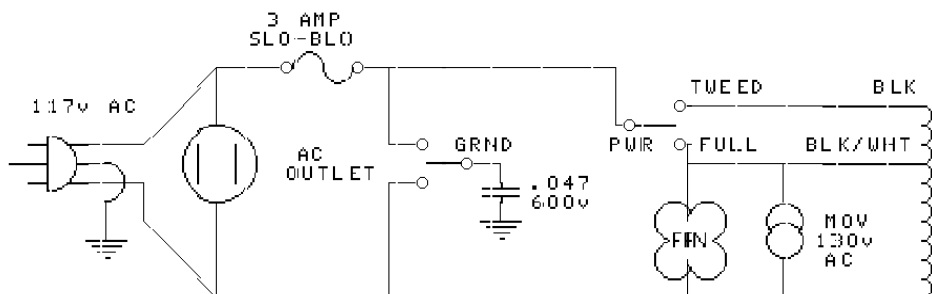
BLUE

50v AC



EQ SUPPLY

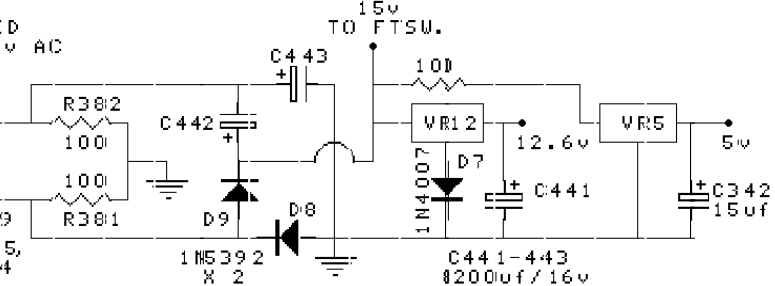
BIAS SUPPLY



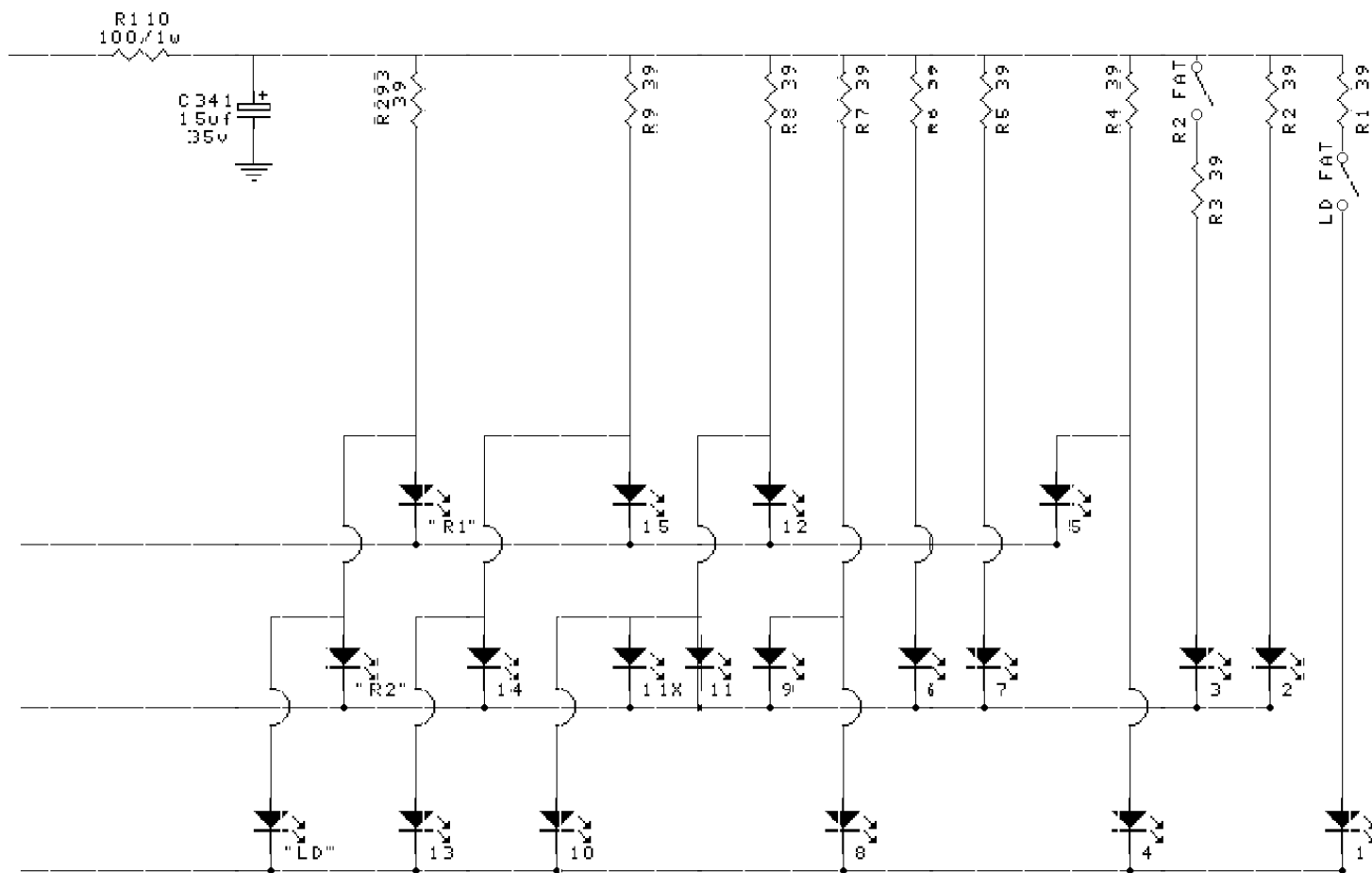
EXPORT PRIMARY

EXPORT XFMR #561137

LOW VOLTAGE SUPPLIES



**MESA-BOOGIE
MARK IV
POWER SUPPLIES**



LDR FUNCTIONS

LDR 1 LEAD FAT
 LDR 2 R2 TREBLE CONTROL ON
 LDR 3 R2 FAT
 LDR 4 LEAD GAIN ON
 LDR 5 R1 GAIN ON
 LDR 6 R2 TONE CONTROLS GRND.
 LDR 7 R2 LOW BOOST ON #1A
 LDR 8 LEAD DRIVE ON
 LDR 9 R2 GAIN ON
 LDR 10 LEAD OUTPUT ON
 LDR 11 LEAD OUTPUT SHUNT R2
 LDR 11x R2 FX SHUNT (4.7K)
 LDR 12 LEAD OUTPUT SHUNT R1
 LDR 13 LEAD MASTER ON
 LDR 14 R2 MASTER ON
 LDR 15 R1 MASTER ON
 LDR 16 GRAPHIC EQ ON
 LDR 17 FX RETURN ON
 LDR 18 FX SEND ON
 LDR 19 FX BYPASS ON
 LDR 20 LD PRESENCE
 LDR 21 R2 PRESENCE
 LDR 22 R1 PRESENCE

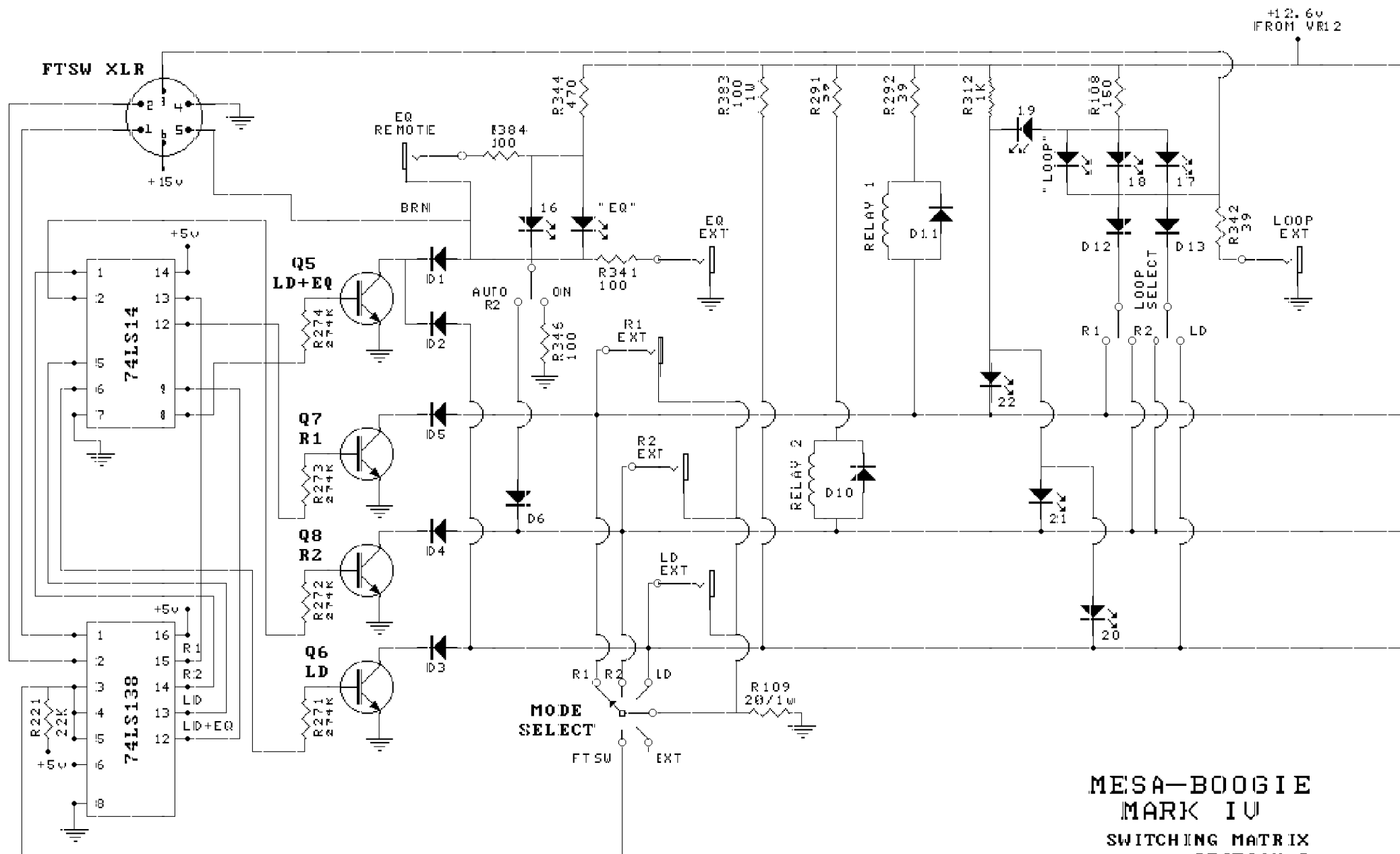
WIRE COLOR CODES (FOR SWITCHES AND CONTROLS)

R1 = YELLOW
 R2 = ORANGE
 LD = RED

MESA-BOOGIE MARK IV

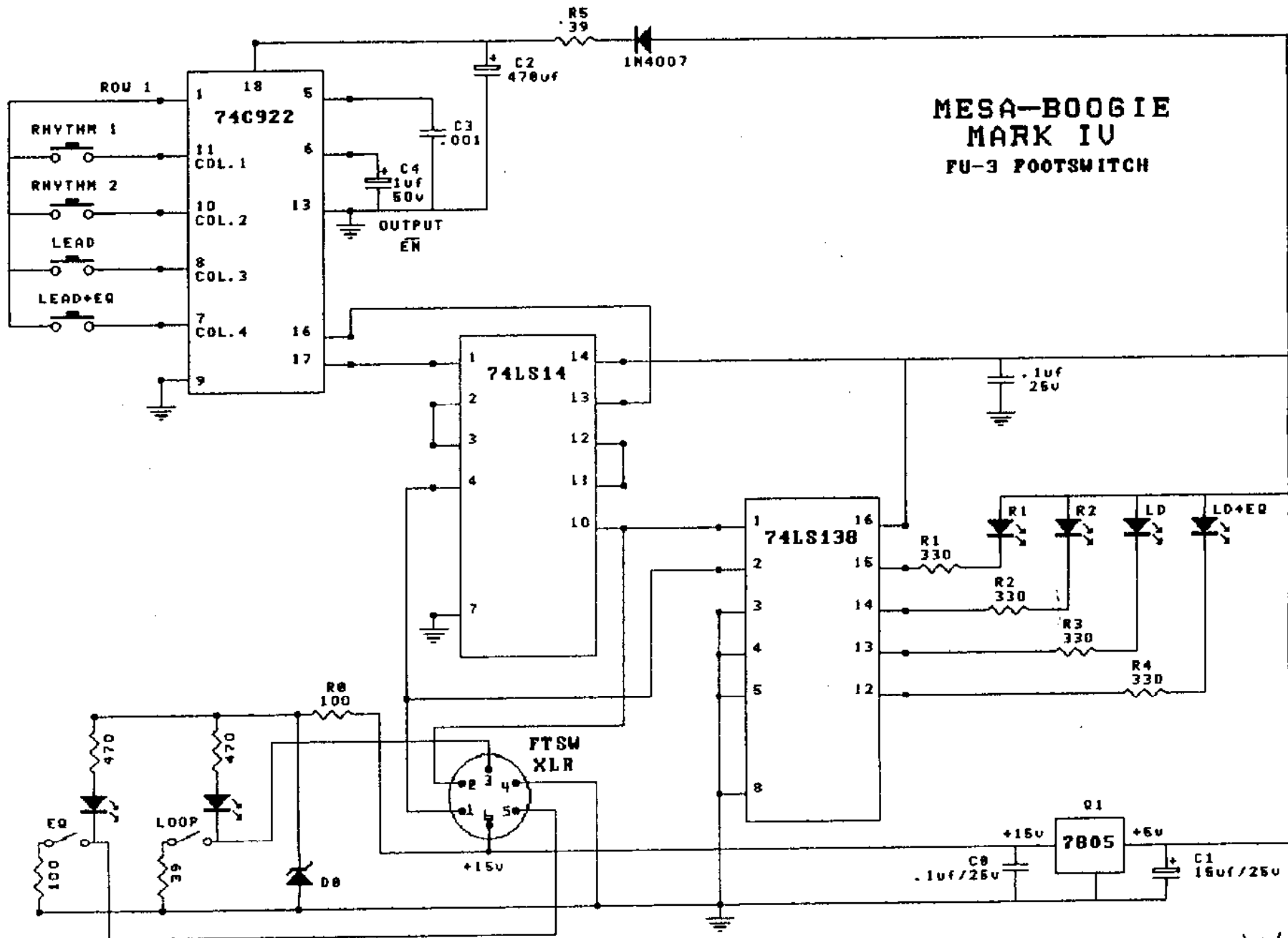
SWITCHING MATRIX SECTION 1

FILE MK4SU1.S01
 9/10



**MESA-BOOGIE
MARK IV
SWITCHING MATRIX
SECTION 2**

FILE MK4SU2.S01
8/10



10/10

MESA/BOOGIE[®]
Mark IV B

Mark IV

FRONT PANEL

RHYTHM 1		
Control Function	Type	Mesa Part#
Gain	Pot	591842
	Knob	408105
Treble	Pot	593148
	Knob	409124
Bass	Pot	593148
	Knob	409124
Middle	Pot	592378
	Knob	409124
Presence	Pot	593792
	Knob	408105
Master	Pot	593150
	Knob	409124
R1 LED	LED	395540

RHYTHM 2		
Control Function	Type	Mesa Part#
Gain	Pot	591842
	Knob	408105
Treble	Pot	593148
	Knob	409124
Bass	Shared w/ R1	
Middle	Shared w/ R1	
Presence	Pot	596821
	Knob	408105
Master	Pot	593150
	Knob	409124
R2 LED	LED	395530

LEAD		
Control Function	Type	Mesa Part#
Gain	Pot	591842
	Knob	408105
Treble	Pot	592149
	Knob	409124
Bass	Pot	593148
	Knob	409124
Middle	Pot	592378
	Knob	409124
Lead Drive	Pot	591842
	Knob	408105
Presence	Pot	596821
	Knob	408105
Master	Pot	593150
	Knob	409124
Lead LED	LED	395520

MISC PARTS		
Control Function	Type	Mesa Part#
Input	Jack	610120
Graphic EQ All 5 Bands (New Style)	Pot	588536
	Knob	408550
**original style knob no longer available		
Output	Pot	596821
	Knob	408115
EQ LED	LED	395510
Loop LED	LED	395500
Standby	Switch	601073
Power	Switch	601073
Pilot Light (Med Chas Only)	Light	703130

REAR PANEL

Mark IV

MISC PARTS		
Control Function	Type	Mesa Part#
Jacks		
Rev Ftsw	Jack	610111
Satellite EQ	" "	612111
Satellite Send	" "	610111
FX Send	" "	612112
FX Return (L)	" "	610111
FX Return (R)	" "	610111
Speaker Outs(3)	" "	618100
External Switch(6)	" "	618100
Record Out		
	Pot	592378
	Knob	409124
	Jack	618100
Slave Out		
	Pot	592738
	Knob	409124
	Jack	618100

MISC PARTS		
Control Function	Type	Mesa Part#
Switches		
Graphic EQ	Switch	600116
FX ON/Swtch	" "	600115
Auto Assign(2)	" "	600116
Triode/Pentode	" "	600117
Simul/Class A	" "	600114
Harm/Mid Gain	" "	600114
Channel Select		
	Rotary Sw	608226
	Knob	408121
Fuse Holder		
Domestic	Cap/Holder	790347
	Fuse	790403
Export	Cap/Holder	790346
	Fuse	795200
AC Receptacle	Jack	613713
Foot Switch	Jack	620414

Mark IV

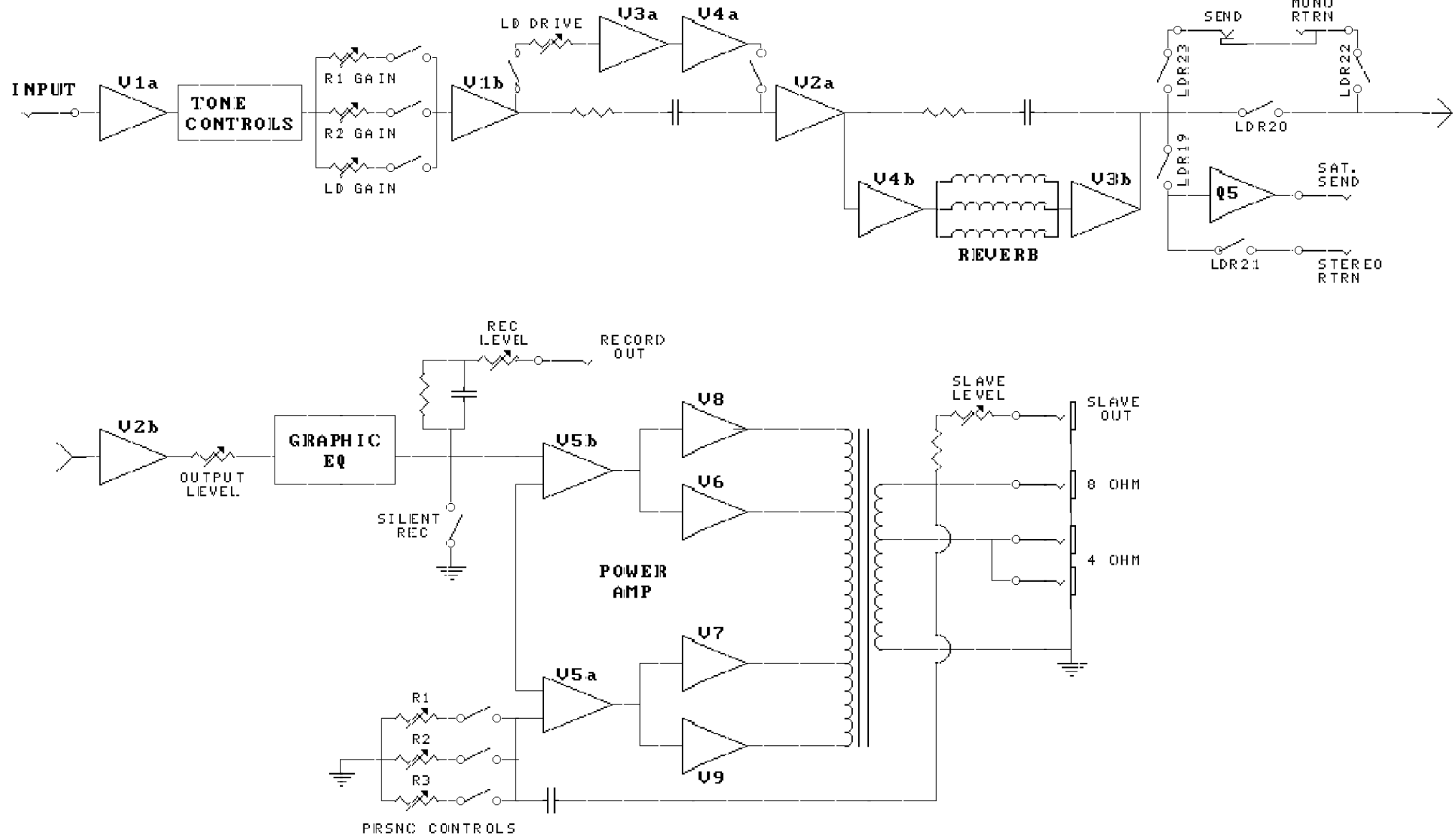
MISC PARTS		
Control Function	Type	Mesa Part#
Jacks		
Rev Ftsw	Jack	610111
Satellite EQ	" "	612111
Satellite Send	" "	610111
FX Send	" "	612112
FX Return (L)	" "	610111
FX Return (R)	" "	610111
Speaker Outs(3)	" "	618100
External Switch(6)	" "	618100
Record Out		
	Pot	592378
	Knob	409124
	Jack	618100
Slave Out		
	Pot	592738
	Knob	409124
	Jack	618100

MISC PARTS		
Control Function	Type	Mesa Part#
Switches		
Graphic EQ	Switch	600116
FX ON/Swtch	" "	600115
Auto Assign(2)	" "	600116
Triode/Pentode	" "	600117
Simul/Class A	" "	600114
Harm/Mid Gain	" "	600114
Channel Select		
	Rotary Sw	608226
	Knob	408121
Fuse Holder		
Domestic	Cap/Holder	790347
	Fuse	790403
Export	Cap/Holder	790346
	Fuse	795200
AC Receptacle	Jack	613713
Foot Switch	Jack	620414

MESA-BOOGIE MARK IUB

BLOCK DIAGRAM

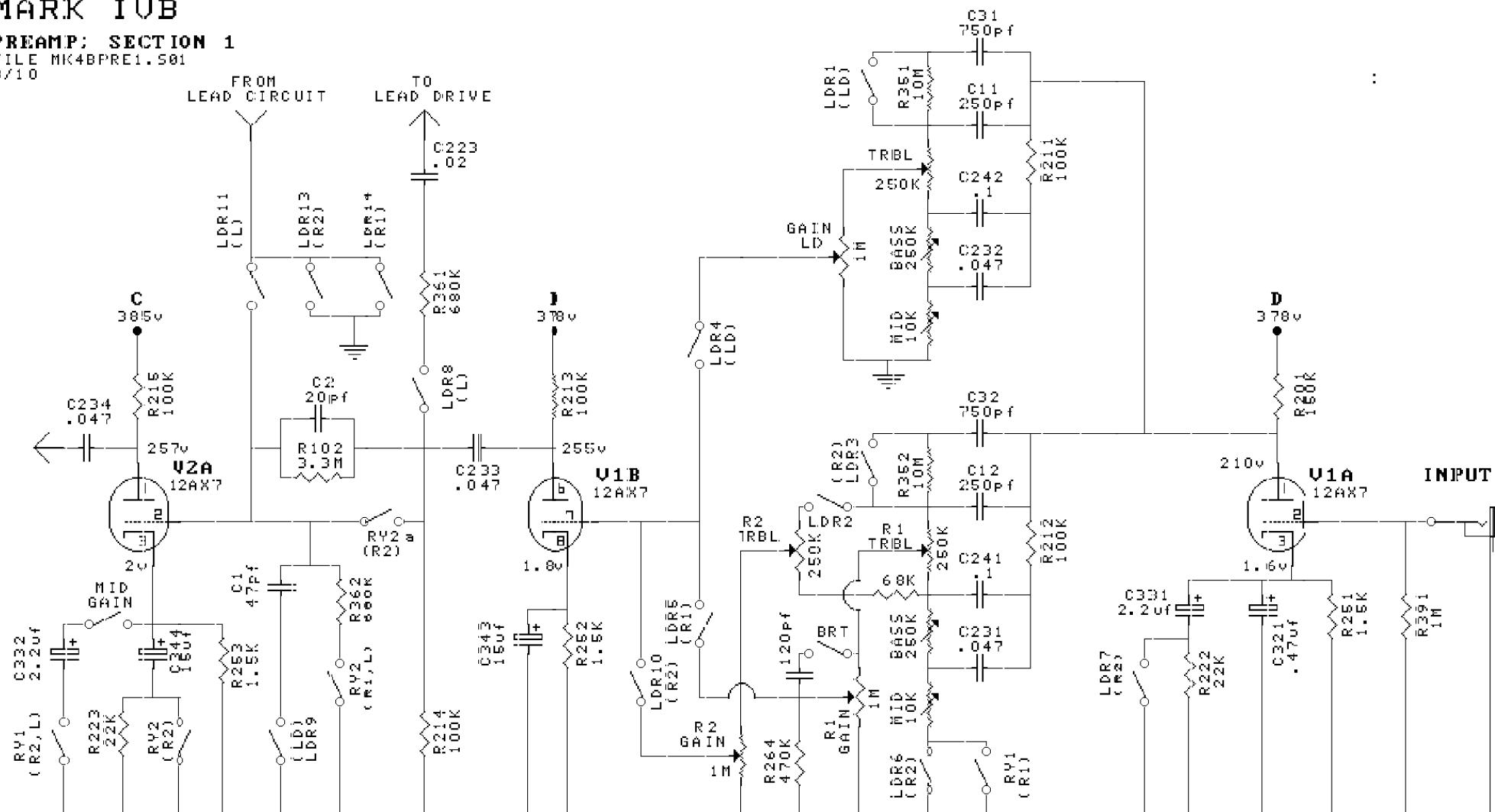
FILE MK4BBL0CK.S01



MESA-BOOGIE MARK IUB

PREAMP; SECTION 1

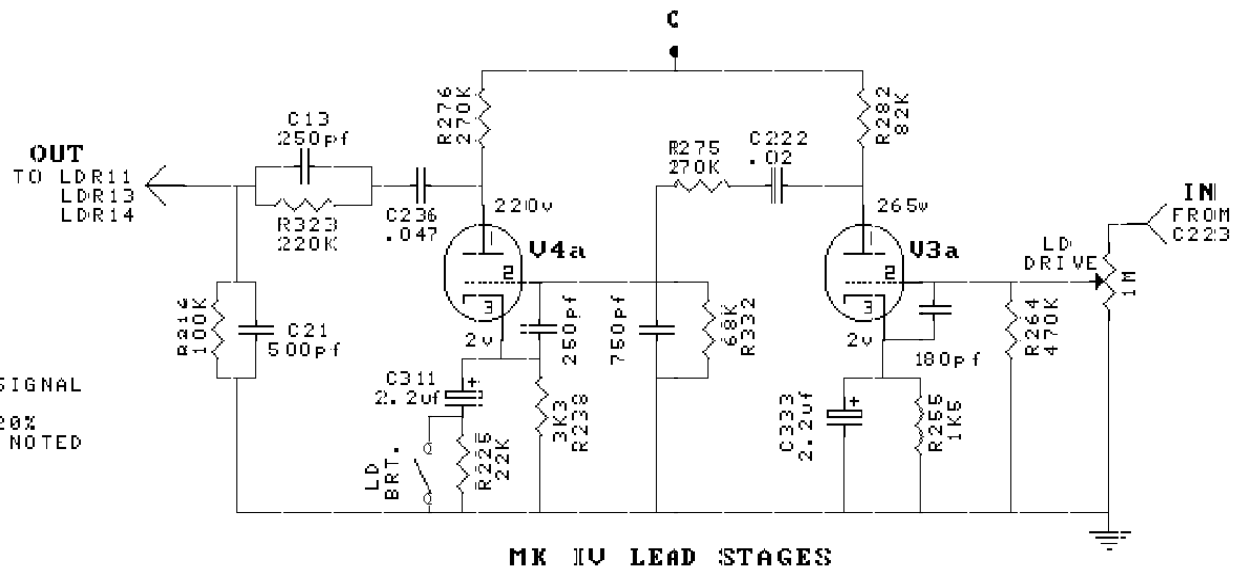
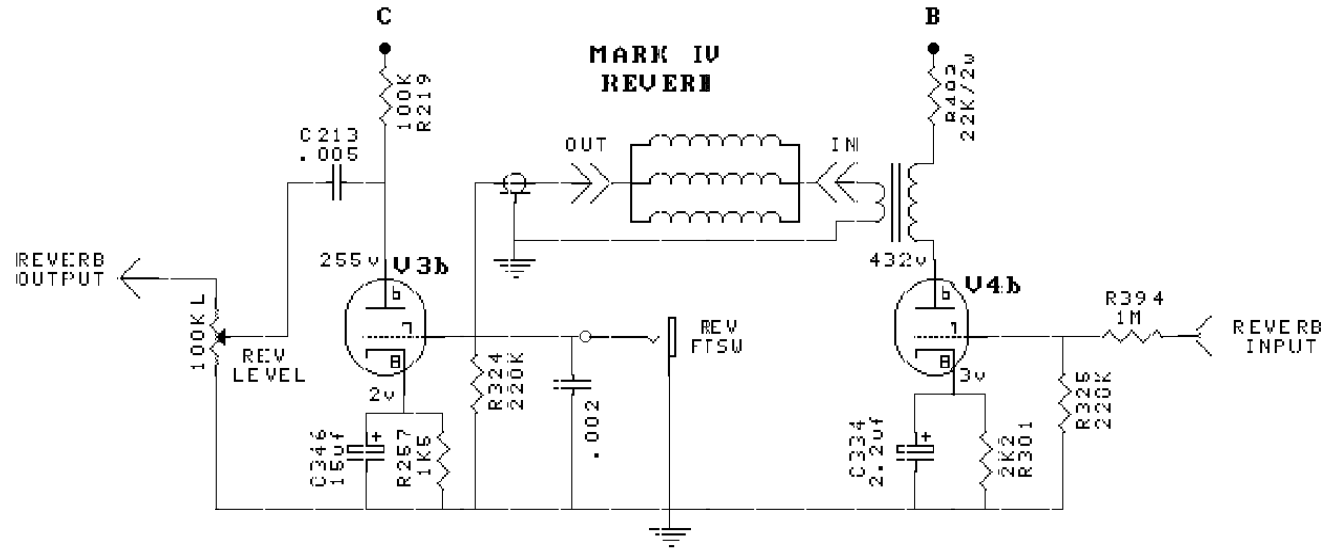
FILE MK4BPRE1.S01
3/10



VOLTAGES MEASURED NO SIGNAL
117V AC MAINS
DC VOLTAGES MAY VARY 20%
RESISTORS 1/2w UNLESS NOTED

MESA-BOOGIE MARK IVB

PREAMP PART TWO
FILE MK4BPRE2.501



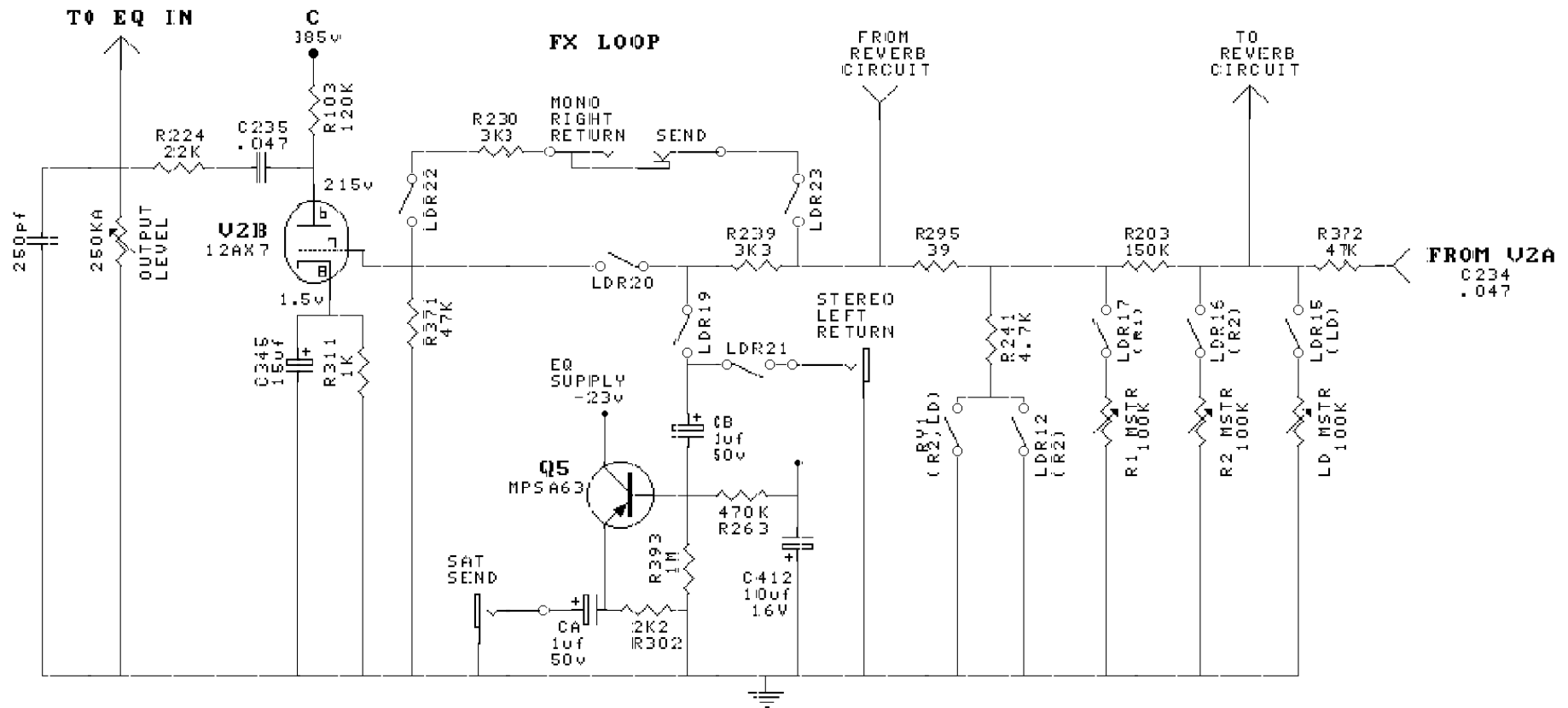
VOLTAGES MEASURED NO SIGNAL
117v AC MAINS
DC VOLTAGES MAY VARY 20%
RESISTORS 1/2w UNLESS NOTED

MESA-BOOGIE MARK IVB

PREAMP PART 3

FILE MK4BPRE3.S01

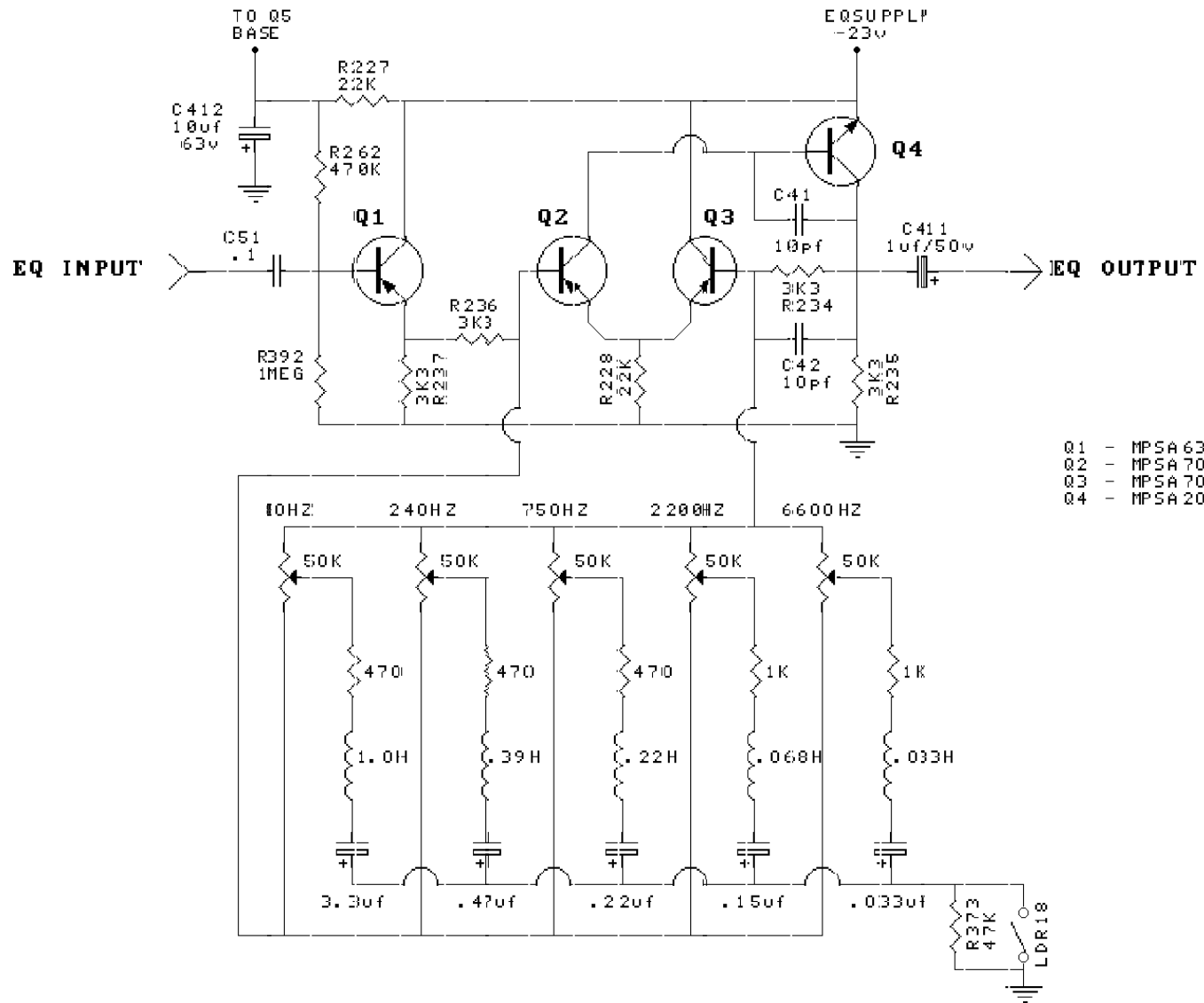
	LOOP ON	LOOP OFF
LDR18	OFF	LDR19 ON
LDR20	OFF	LDR20 ON
LDR21	ON	LDR21 OFF
LDR22	ON	LDR22 OFF
LDR23	ON	LDR23 OFF



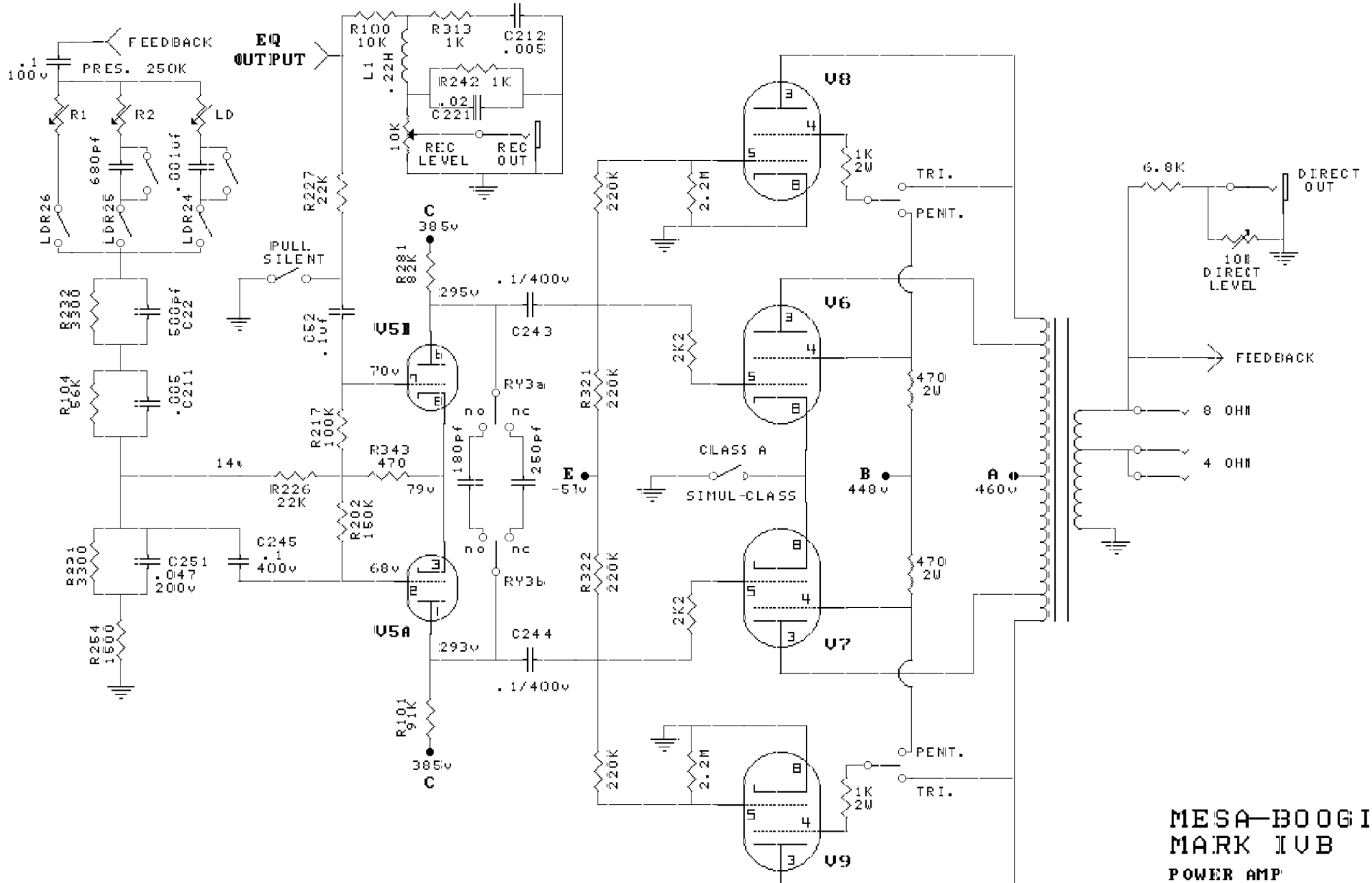
MESA-BOOGIE MARK IUB

GRAPHIC EQ

FILE MK4BEQ.541



IN

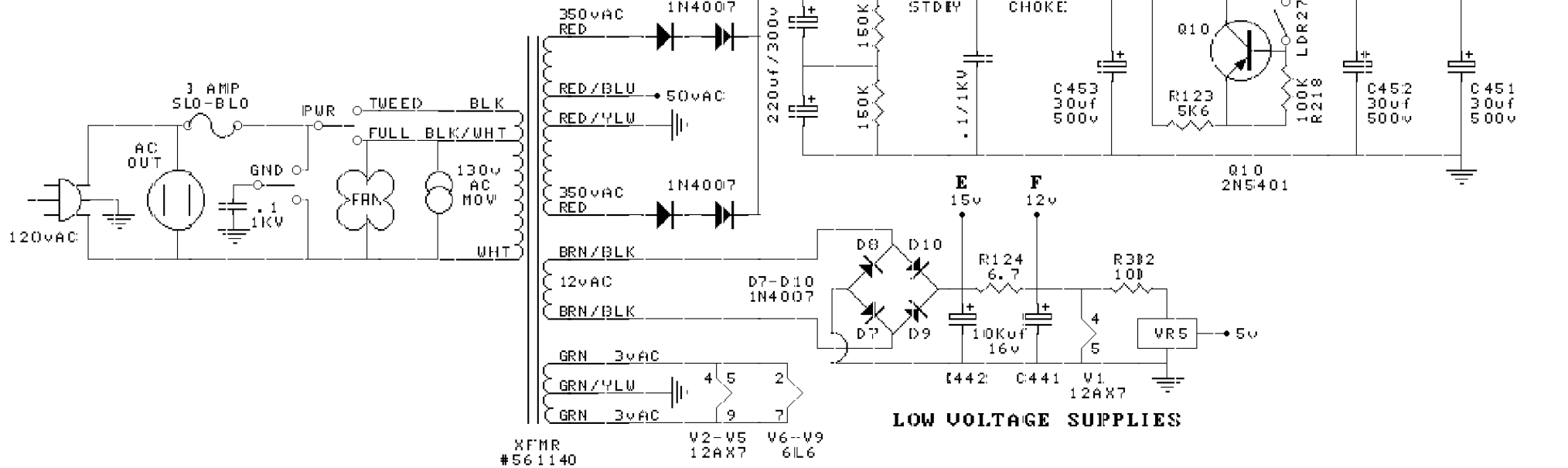


MESA-BOOGIE
MARK IUB
POWER AMP

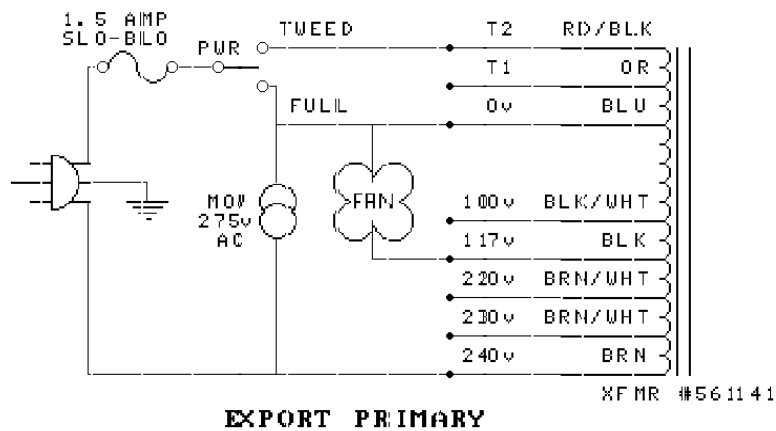
MESA-BOOGIE MARK IUB

POWER SUPPLIES

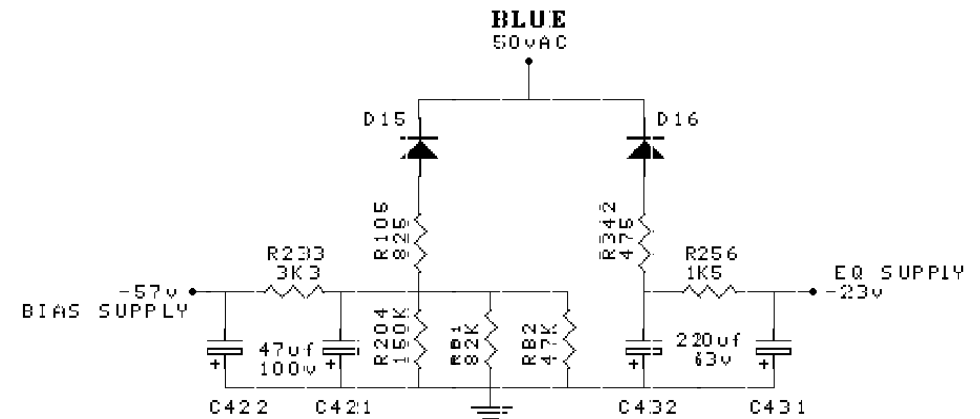
FILE MK4BSUPP.S01



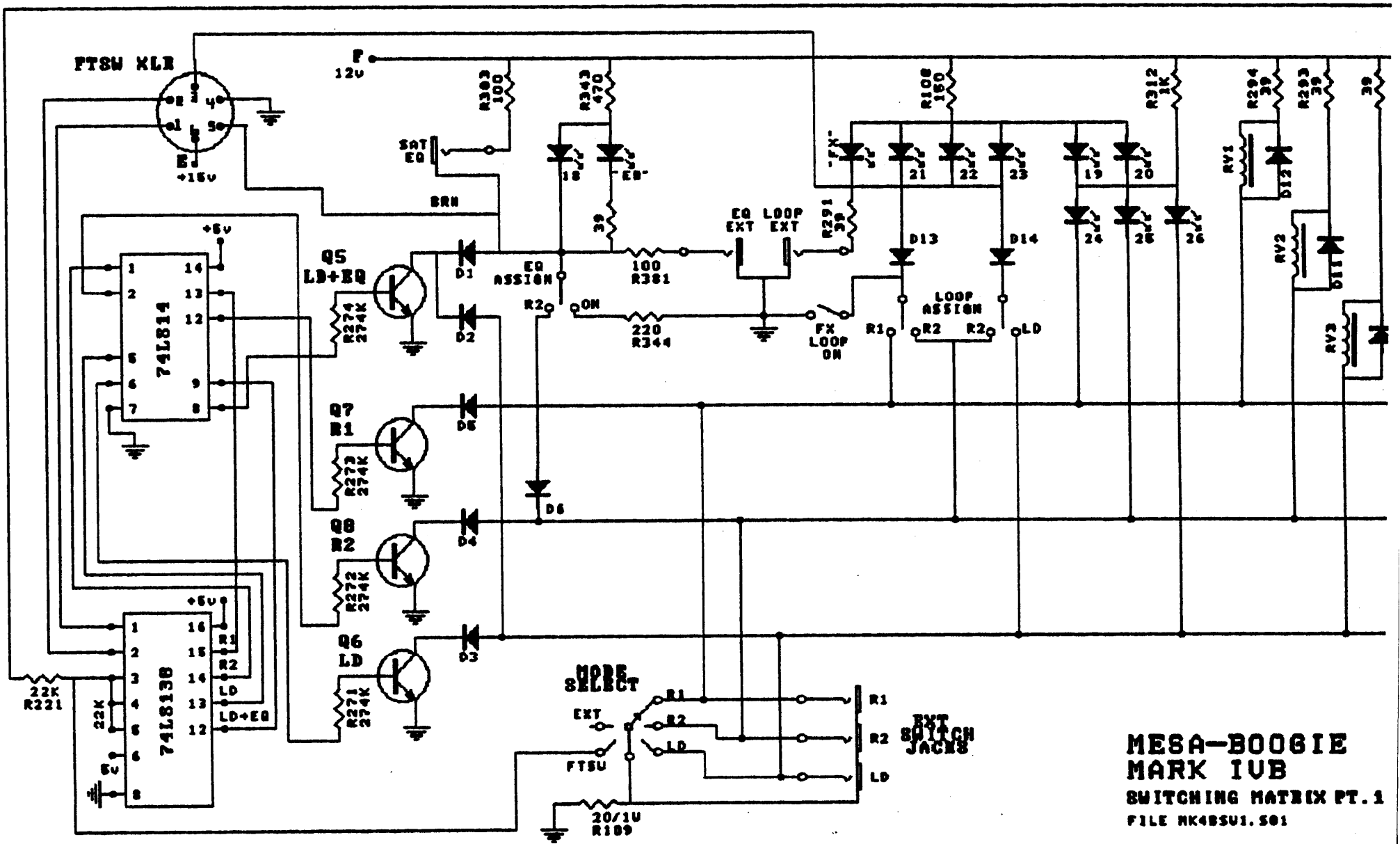
LOW VOLTAGE SUPPLIES



EXPORT PRIMARY

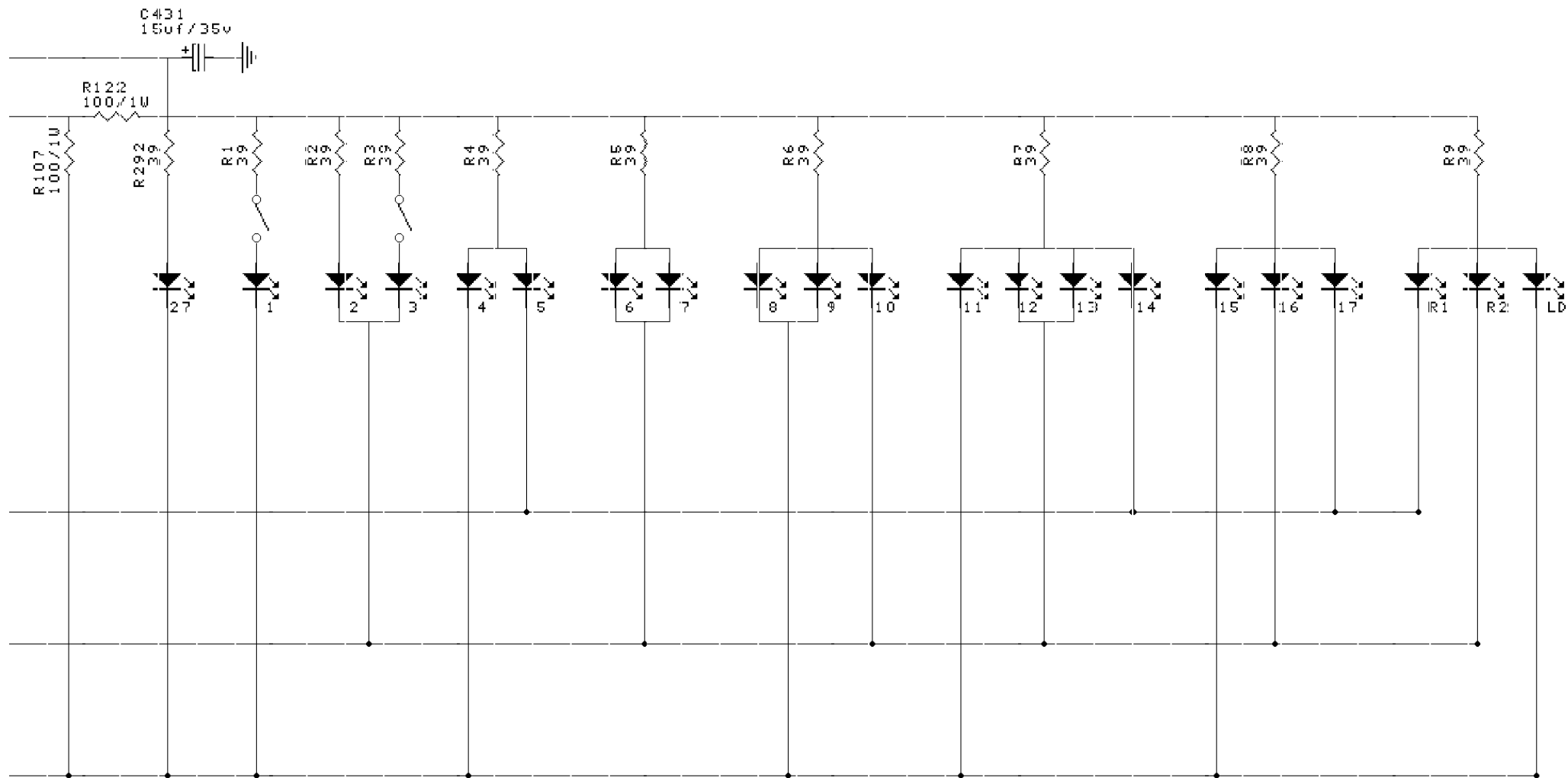


LOW V NEGATIVE SUPPLIES

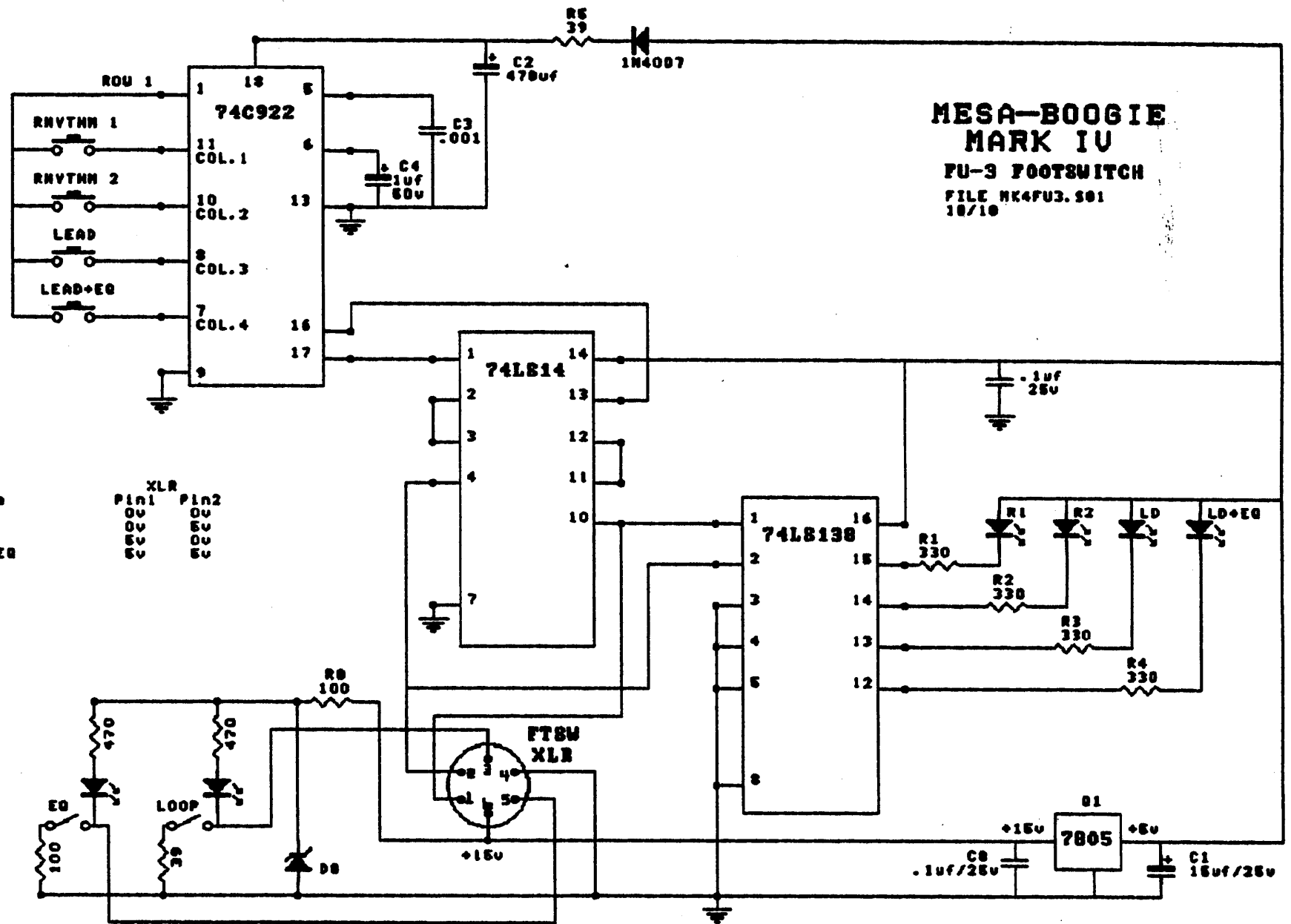


**MESA-BOOGIE
MARK IUB
SWITCHING MATRIX PT. 1
FILE HK4BSU1.501**

7/9



MESA-BOOGIE
MARK IUB
SWITCHING MATRIX PT2
 FILE MK4BSU2.S01



MARK IUB

POWER AMP STABILIZATION MOD

1. Remove existing buss wire connection between pin 5 of inner 6L6 sockets and terminal towers.
2. Install 2K2 series resistors: *
3. Test for stability, all modes.

