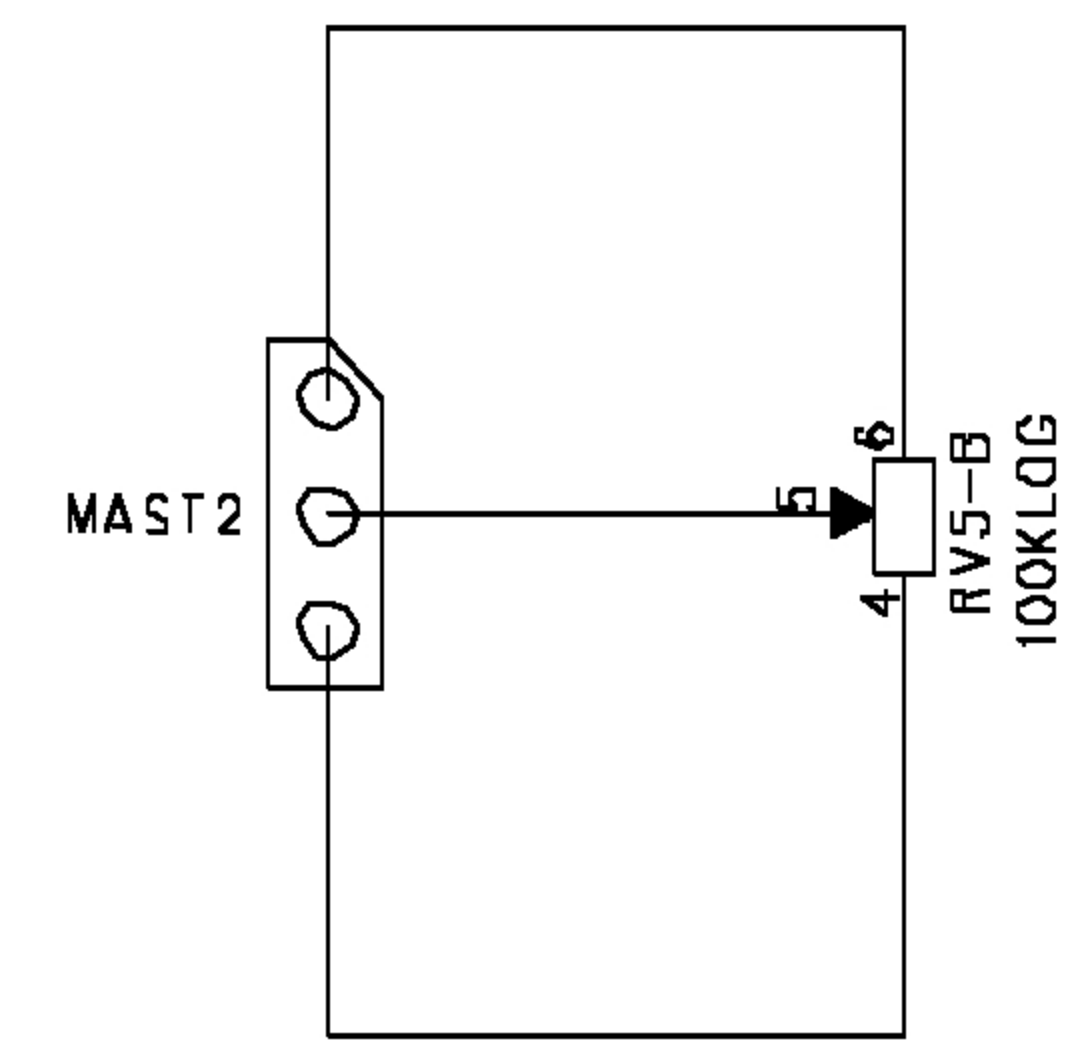
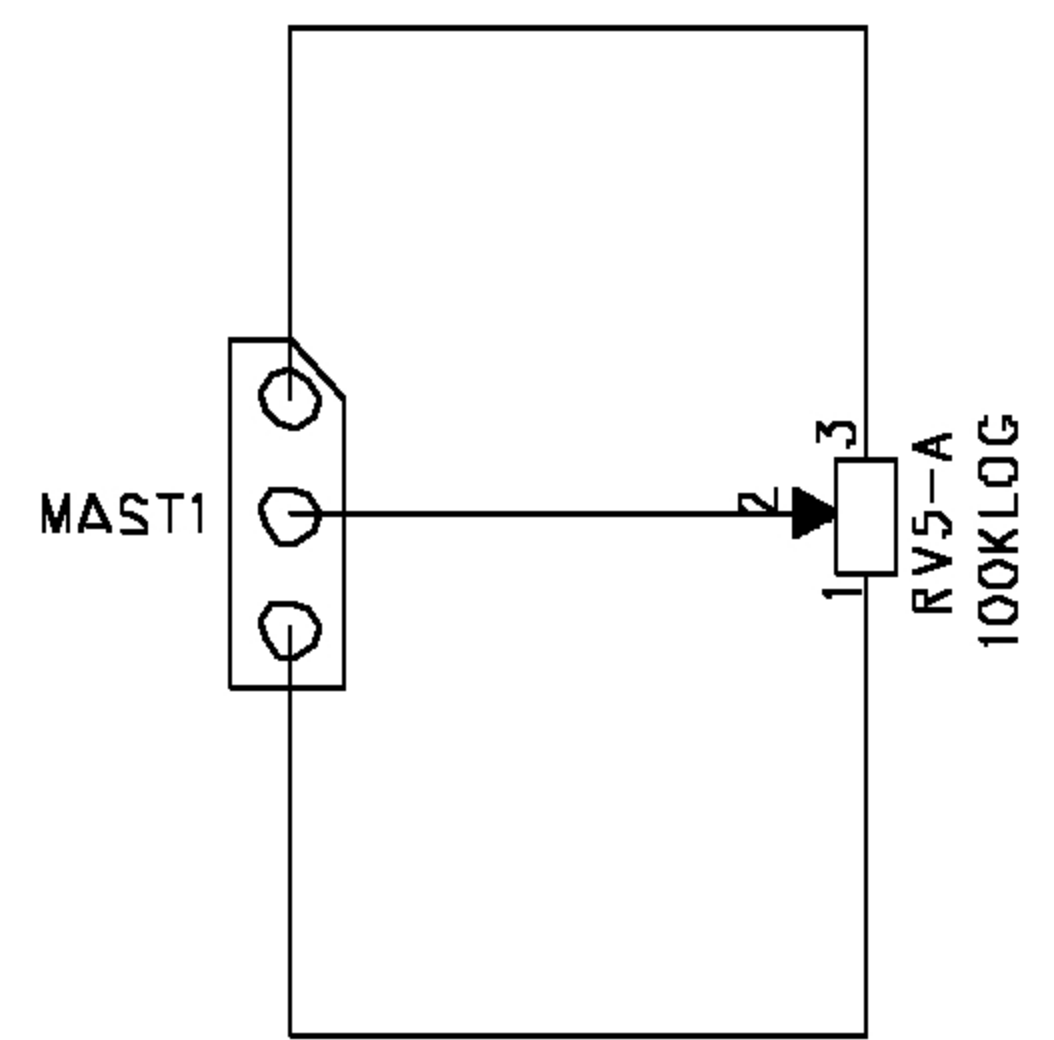
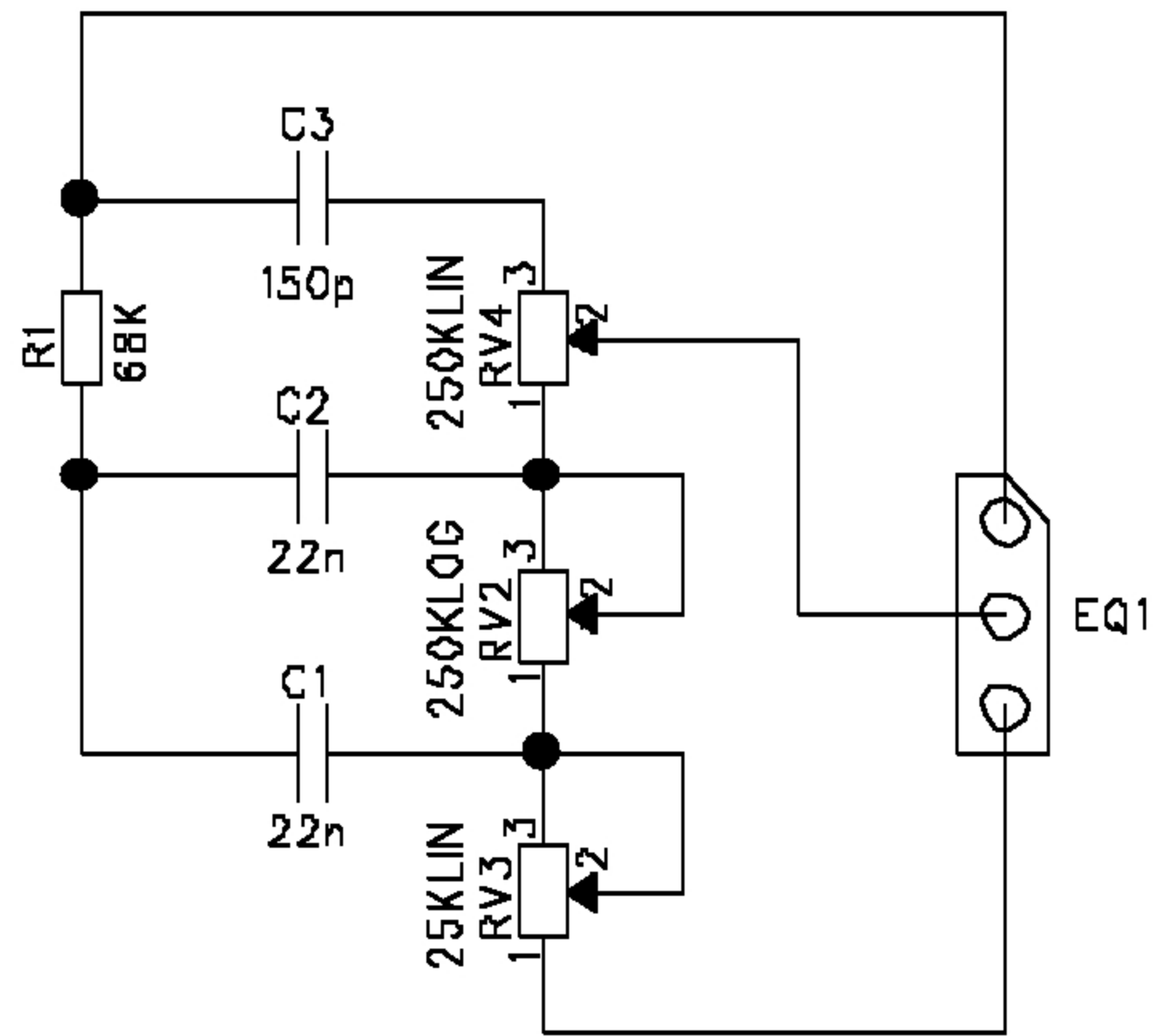
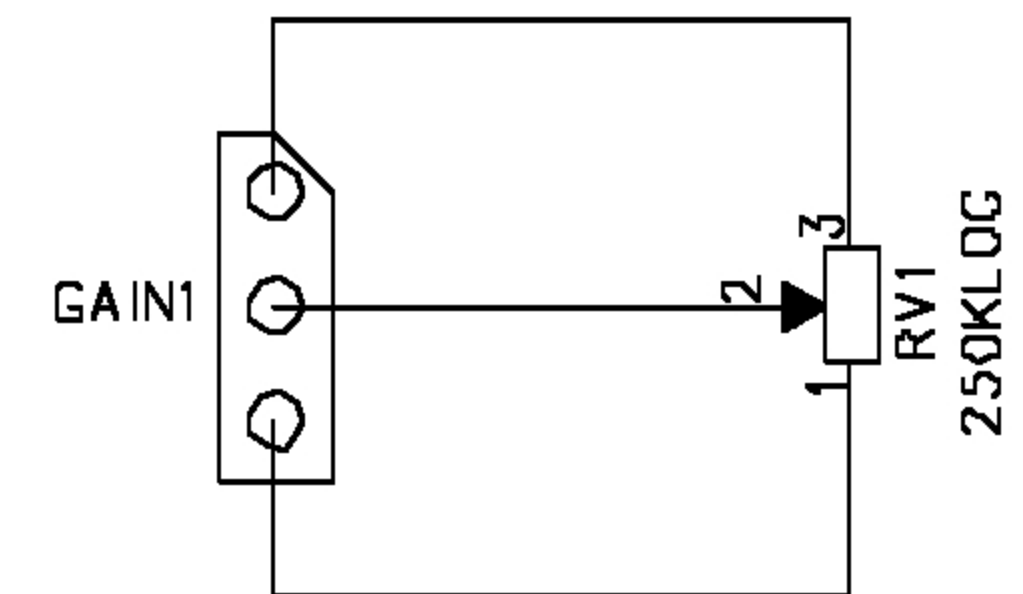
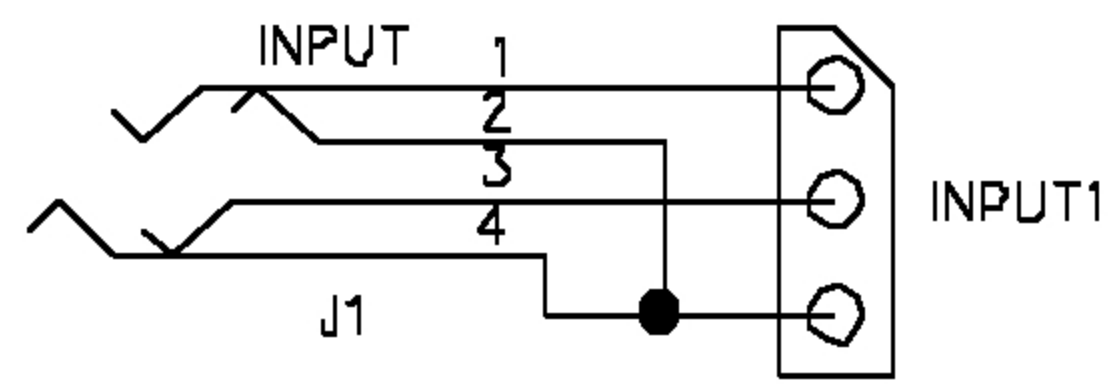


ISSUE CHANGE NOTE DATE	ISSUE CHANGE NOTE DATE	ISSUE CHANGE NOTE DATE
ISSUE CHANGE NOTE DATE	ISSUE CHANGE NOTE DATE	ISSUE CHANGE NOTE DATE

ORANGE AD15 FRONT PANEL



COMPONENTS USED ARE
OF AN APPROVED TYPE AND
MUST BE REPLACED ACCORDINGLY

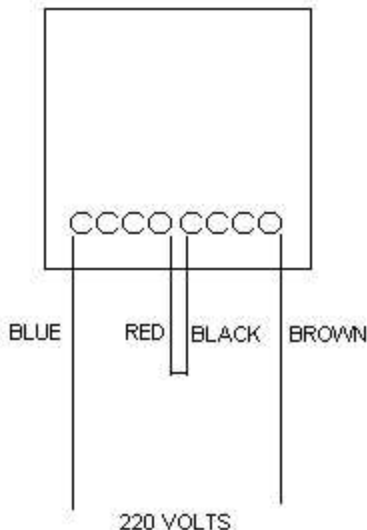
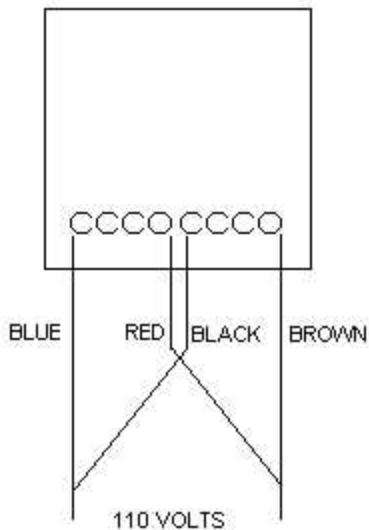
Circuit Design by Adrian Emsley

TITLE	FRONT PANEL	TRACE ELLIOT LTD BLACKWATER TRADING ESTATE MALDON ESSEX CM9 4GG GREAT BRITAIN TEL (01621) 851851 FAX (01621) 851975
PROJECT	ORANGE AD15	
DRAWING No	CD00112	
ISSUE	1	
DATE	16 OCTOBER 1998	
DRAWN BY	PAUL STEVENS	

FOR USE WITH PC00112
SEE ALSO:- CD00113 PC00113

Orange AD15-12

Power Transformer Input Schematics



Double fuse rating when converting from 220 to 110
Half fuse rating when converting from 110 to 220