

5150-2 PREAMP PRIMARY SIDE



BILL OF MATERIALS REPORT

BOARD NAME: 5150 2 REPORT DATE: 25JAN01  
 ASSEMBLY LEVEL NUMBER: 99010540 PROJECT NUMBER: P9700041  
 CBDS

PART PART DESCRIPTION AND  
 \*\* QTY. NAME VALUE NUMBER DEVICE DESIGNATIONS \*\*\*\*\*  
 \*\*\*\*\*

1 98810540 98810540 PVR PCB  
 2 .001 .001 70340000 .001MF----10%----50VDC----MON----T&R  
 C19, C48  
 1 .001R630 .001R630 70320160 .001MFD 630VDC B-BOX  
 C2  
 1 .0022 .0022 70340004 .0022MF---10%----50VDC---T/C---T&R  
 C13  
 1 .0033 .0033 70340006 .0033MF---10%----50VDC---T/C---T&R  
 C10  
 1 .0047 .0047 70340007 .0047MF---10%----50VDC---MON---T&R  
 C158  
 3 .0068 .0068 70340008 .0068MF---10%----50VDC---MON---T&R  
 C12, C27, C60  
 1 .01 .01 70340011 .01MF-----10%----50VDC---T/C---T&R  
 C59  
 3 .01CD .01CD 70320248 .01MF----20%---1000VDC---CD--T&A  
 C32, C40, C45  
 4 .022 .022 70340012 .022MF----10%----50VDC---MON---T&R  
 C18, C21, C154, C156  
 8 .022R400 .022R400 70320106 .022 MFD 400V RADIAL MYLAR  
 C1, C6, C49, C52, C56, C57, C58, C165  
 4 .033 .033 70340014 .033MF----10%----50VDC---MON---T&R  
 C55, C62, C155, C161  
 4 .047A400 .047A400 70320105 .047MFD 450 VOLT T&R CAP  
 C11, C28, C29, C31  
 1 .068 .068 70340018 .068MF----10%----50VDC---MON---T&R  
 C63  
 4 .1P10 .1P10 70340101 .1MF-----10%----50VDC---MON---T&R  
 C8, C54, C160, C162  
 2 .1R250MY .1R250MY 70320096 .1 MFD 250VDC MYLAR CA/BR  
 C15, C66  
 3 .33R400 .33R400 70320107 .33MF-----10%----400VDC---MYLAR--R/W  
 C53, C65, C153  
 1 .33SF2 .33SF2 70330146 .33MF 5% 100VDC SF T&A  
 C157  
 1 1.5K 1.5K 70240018 1.5K--1/4W--5%----CF--T&R  
 R42  
 2 1.5KW1 1.5KW1 70210007 1.5K--1W----5%----MO--T&R  
 R70, R71  
 3 1.82KP1 1.82KP1 70241078 1.82K-1/4W--1%----CF--T&R  
 R12, R13, R17

1 1000A35 1000A35 70320038 1000 MFD 35VDC LYTIC CAP  
 C24  
 4 1000R35 1000R35 70320186 1000MF----20%----35VDC--EL--T&A  
 C9, C159, C163, C164  
 7 100K 100K 70240034 100K--1/4W--5%----CF--T&R  
 R33, R48, R58, R101, R103, R104, R171  
 3 100KP1 100KP1 70240151 100K--1/4W--1%----MF--T&R  
 R1, R3, R86  
 1 100KW1 100KW1 70210017 100K--1W----5%----MO--T&R  
 R16  
 1 100PF 100PF 70340054 100PF-----10%----50VDC---T/C---T&R  
 C150  
 2 100V350 100V350 70320130 100 MFD 350VDC RADIAL SNAP-IN  
 C35, C39  
 3 10A150 10A150 70320016 10 MFD 150VDC LYTIC - AXIAL LEAD  
 C41, C42, C43  
 1 10ASB 10ASB 70900599 10 AMP S/B FUSE WITH 2 FUSECLIPS #70900816  
 F2  
 6 10K 10K 70240025 10K---1/4W--5%----CF--T&R  
 R27, R156, R166, R167, R168, R169  
 2 10KAVB 71190528 71190528 10K 20% AUD MIN VPC W/BACKET  
 VR12, VR15  
 2 10KW1 10KW1 70210018 10K---1W----5%----MO--T&R  
 R51, R61  
 4 125SOWD 70900788 70900788 SPACER, 1/8,R(#4),.187 SWAGE ALUM.  
 M9, M14, M19, M22  
 6 12AX7 12AX7 70806612 12AX7 VACUUM TUBE W/9 PIN PC MNT SOCKET  
 V1, V2, V3, V4, V5, V6  
 1 12K 12K 70240057 12K---1/4W--5%----CF--T&R  
 R68  
 3 12VRELAY 71322277 71322277 DPDT OMRON RELAY 12VDC  
 K1, K2, K3  
 1 18K 18K 70240028 18K---1/4W--5%----CF--T&R  
 R153  
 3 1A50NP 1A50NP 70320138 1MFD 10% 50VNP EL T&R  
 C3, C4, C5  
 3 1AFB 1AFB 70900085 AGC 1 AMP FUSE with 2 fuseclips #70900816  
 F3, F4, F5  
 3 1K 1K 70240017 1K----1/4W--5%----CF--T&R  
 R67, R80, R165  
 20 1M 1M 70240039 1M----1/4W--5%----CF--T&R  
 R9, R25, R26, R32, R40, R41, R50, R53,  
 R72, R79, R84, R87, R88, R91, R100,  
 R159, R160, R161, R162, R176  
 2 1MAVB 71190516 71190516 1 MEG AUD MIN VPC 20% W/BRKT  
 VR5, VR10

6 1MAVBP5 71190522 71190522 1 MEG AUD MIN VPC 5% TAPER W/BRKT  
 VR1, VR2, VR6, VR7, VR11, VR14  
 5 1N4003 1N4003 70464003 1N4003 200V SILICON DIODE  
 CR12, CR14, CR15, CR16, CR18  
 4 1N4007 1N4007 70464007 1N4007 1KV, 1A, SILICON DIODE  
 CR8, CR9, CR10, CR11  
 6 1N4148 4148 70464148 1N4148 75V 10MA SILICON DIODE  
 CR1, CR2, CR3, CR21, CR22, CR54  
 4 2.2K 2.2K 70240020 2.2K--1/4W--5%----CF--T&R  
 R93, R102, R155, R158  
 1 2.2M 2.2M 70240040 2.2M--1/4W--5%----CF--T&R  
 R81  
 1 2.2R50 2.2R50 70320180 2.2MF----20%----50VDC---EL--T&A  
 C166  
 1 2.7K 2.7K 70240021 2.7K--1/4W--5%----CF--T&R  
 R66  
 1 210KP1 210KP1 70240137 210K 1% 1/4W MF T&R  
 R2  
 1 2200R35 2200V35 70320113 2200 MFD 35VDC RADIAL LYTIC  
 C46  
 9 220K 220K 70240036 220K--1/4W--5%----CF--T&R  
 R4, R7, R54, R55, R85, R96, R150, R170,  
 R172  
 4 220KW1 220KW1 70210008 220K--1W----5%----MO--T&R  
 R62, R63, R64, R65  
 1 220R50 220R50 70320187 220MF-----20%----50VDC---EL--T&A  
 C64  
 2 22A25 22A25 70320012 22MFD +/-20% 25VDC EL AXL  
 C23, C30  
 2 22A450 22A450 70320020 22 MFD 450VDC LYTIC CAP  
 C33, C37  
 3 22K 22K 70240029 22K---1/4W--5%----CF--T&R  
 R44, R75, R174  
 2 22KW1 22KW1 70210005 22K---1W----5%----MO--T&R  
 R60, R173  
 2 250KBVB 71190515 71190515 250K LIN MIN VPC W/BACKET  
 VR4, VR9  
 1 25KAVB 71190559 71190559 25KA MIN VPC W/BACKET  
 VR3  
 1 2AFB 2AFB 70900133 AGC 2 AMP FUSE  
 F1  
 1 2N3919 3919 70463919 SKA-3919 TO92 NPN TRANS T&A  
 Q6  
 1 3.3K 3.3K 70240022 3.3K--1/4W--5%----CF--T&R  
 R14

1 330K 330K 70240037 330K--1/4W--5%---CF--T&R  
R11

2 330V350 330V350 70320169 330 MFD 350 VDC VERT. SNAP-IN  
C34, C38

3 33K 33K 70240030 33K---1/4W--5%---CF--T&R  
R94, R151, R163

2 39K 39K 70240048 39K---1/4W--5%---CF--T&R  
R15, R56

1 39PF 39PF 70340052 39PF-----50VDC---T/C---T&R  
C20

4 4.7K 4.7K 70240023 4.7K--1/4W--5%---CF--T&R  
R57, R69, R73, R105

2 4.7W1 4.7W1 70210015 4.7---1W---5%---MO--T&R  
R47, R49

1 47 47 70240008 47---1/4W--5%---CF--T&R  
R83

1 470 470 70240015 470---1/4W--5%---CF--T&R  
R52

1 4700R35 4700R35 70350200 4700 MFD 35VDC RADIAL SNAP-IN  
C44

7 470K 470K 70240038 470K--1/4W--5%---CF--T&R  
R6, R19, R82, R89, R152, R154, R164

5 470PF 470PF 70340058 470PF-----10%---50VDC---T/C---T&R  
C14, C17, C51, C151, C152

1 47A500 47A500 70320005 47MF 500VDC ELECTROLYTIC -AXIAL  
C36

2 47FP 47FP 70240090 47FP--1/4W--5%---FP--T&R  
R76, R77

3 47K 47K 70240031 47K---1/4W--5%---CF--T&R  
R24, R28, R95

1 47W1 47W1 70210011 47---1W---5%---MO--T&R  
R37

1 4KW5 4KW5 70250050 4K--5W--10%--WW--AXL  
R59

9 500SOWD 70900781 70900781 SPACER, 1/2,R(#4),.187 SWAGE ALUM.  
M1, M10,  
M11, M12, M13, M15, M16, M17, M18,

1 50KBVB 71190511 71190511 50K LIN MIN VPC W/BRACKET  
VR8

1 6.8K 6.8K 70240024 6.8K--1/4W--5%---CF--T&R  
R23

4 6531 6531 70466531 MPS-6531 TO92 NPN TRANS. T&A  
Q3, Q9, Q10, Q11

2 68K 68K 70240032 68K---1/4W--5%---CF--T&R  
R22, R175

1 68KP1 68KP1 70241070 68K---1/4W--1%---CF--T&R

R5

2 820 820 70240019 820---1/4W--5%---CF--T&R  
R38, R39

1 820PF 820PF 70340062 820PF-----10%---50VDC---T/C---T&R  
C167

2 82K 82K 70240033 82K---1/4W--5%---CF--T&R  
R46, R157

1 DIN7RA 71466226 71466226 CONN 7P R/A PCMNT DIN W/ 4 MNT. HOLES  
J6

1 DRASW DRASW 71322256 PC MNT SWITCH DUAL  
S1

3 FMPU 73711811 73711811 M118-171 C.B. FEMALE MOLEX PIN  
J83, J84, J86

2 HIDMNI 71466214 71466214 2 TIP HID JACK NINS W/SPD  
J96, J100

2 J174 J174 70460174 J-174 30V TO-92 P-CHAN FET T&A  
Q7, Q8

2 LBRKT1 71500238 71500238 #74 L-BRACKET W/4-40 HOLE  
M30, M31

1 LOMRELAY 71322378 71322378 RELAY, 12V DPDT - LO MIC  
K4

1 MAC97 MAC97 70460097 MAC97-6 400V .6A TO-92 TRIAC T&A  
CR23

5 MMPD 73711812 73711812 R93-12 PN C.B. MALE MOLEX PIN  
J97, J99, J102, J103, J104

14 MMPU 73711812 73711812 R93-12 PN C.B. MALE MOLEX PIN  
J15, J16, J72, J73, J74, J75, J76, J77,  
J78, J79, J80, J81, J82, J85

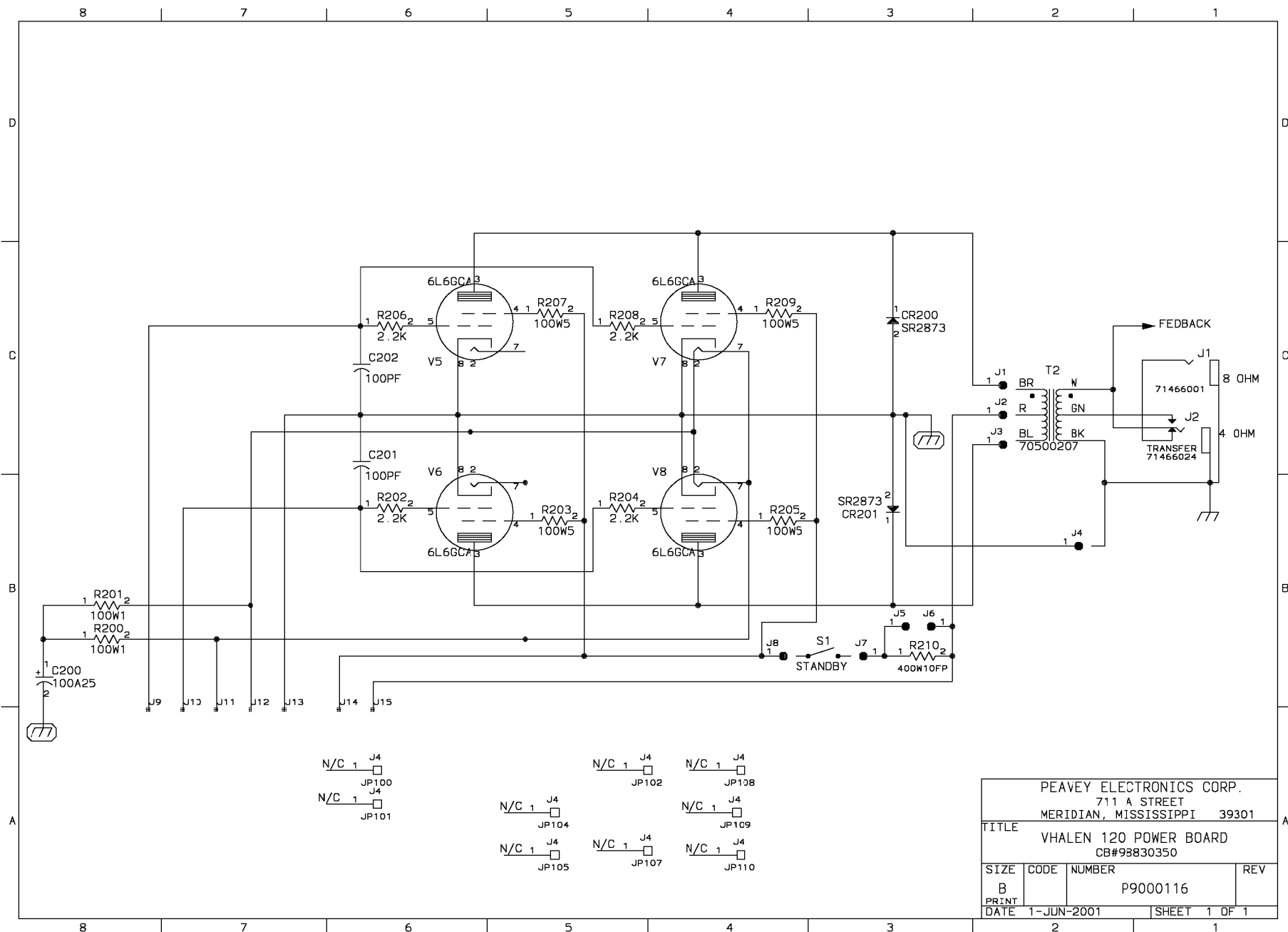
1 POT0452 71190452 71190452 10kb vpc 6.5mm  
VR16

1 PRASW PRASW 71322289 DPDT P/P CB MNT SWITCH  
S2

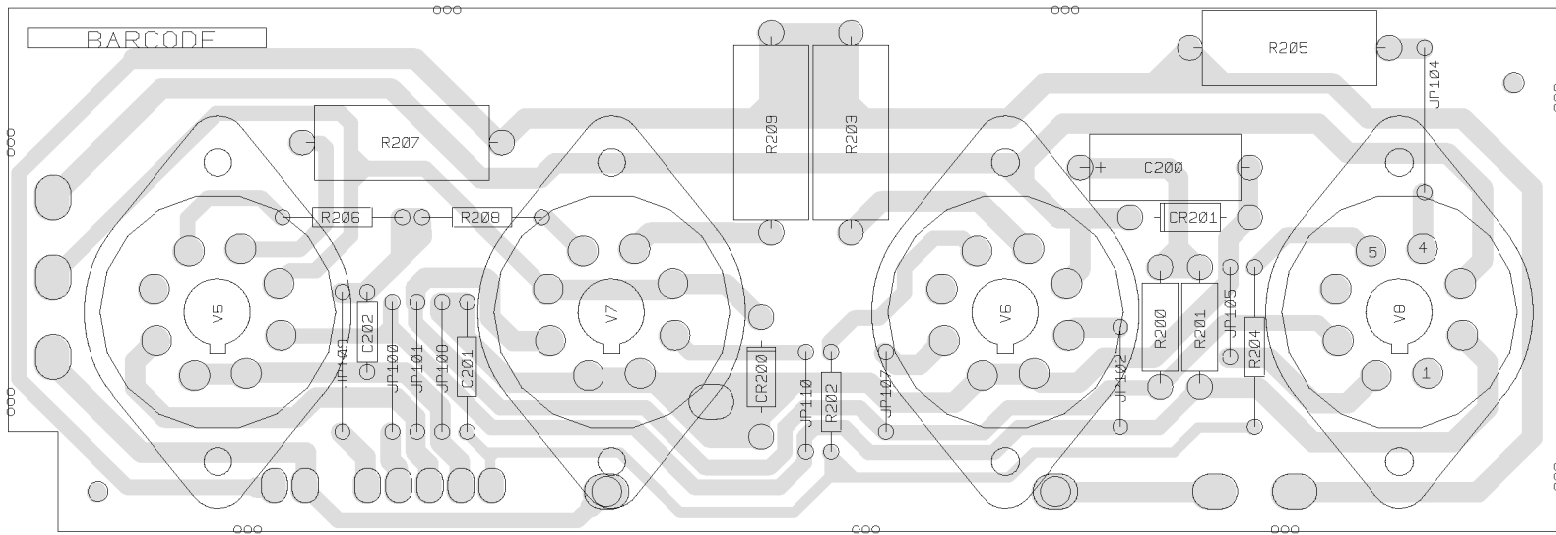
4 RASN6165 71466165 71466165 JK R/A 12.5MM NIN STEREO -88  
J10, J165, J166, J167

102 SPX1 SPX1 73717003 1 STAKE PIN  
J11, J12, J13, J14, J42, J43, J47, J48,  
J49, J50, J57, J58, J59, J60, J61, J62,  
J63, J70, J71, J98, J101, J105, J106,  
J107, J108, J150, J151, J152, J153,  
J154, J155, J156, J157, J158, J159,  
J160, J161, J162, J163, J168, J169,  
J170, J171, J172, J173, J200, J201,  
J202, J203, J204, J205, J206, J207,  
J208, J209, J210, J211, J212, J213,  
J214, J215, J216, J217, J218, J219,  
J220, J221, J222, J223, J224, J225,  
J226, J227, J228, J229, J230, J231,  
J232, J233, J234, J235, J236, J237,  
J238, J239, J240, J241, J242, J243,  
J244, J245, J246, J247, J248, J249,  
J252, J253, J254, J255, J256, J257,  
J258,

1 SW2328 SW2328 71322328 2PTT PC MOUNT SLIDE SWITCH  
S3  
\*\*\*\*\*  
\* END OF BILL OF MATERIALS REPORT \*  
\*\*\*\*\*

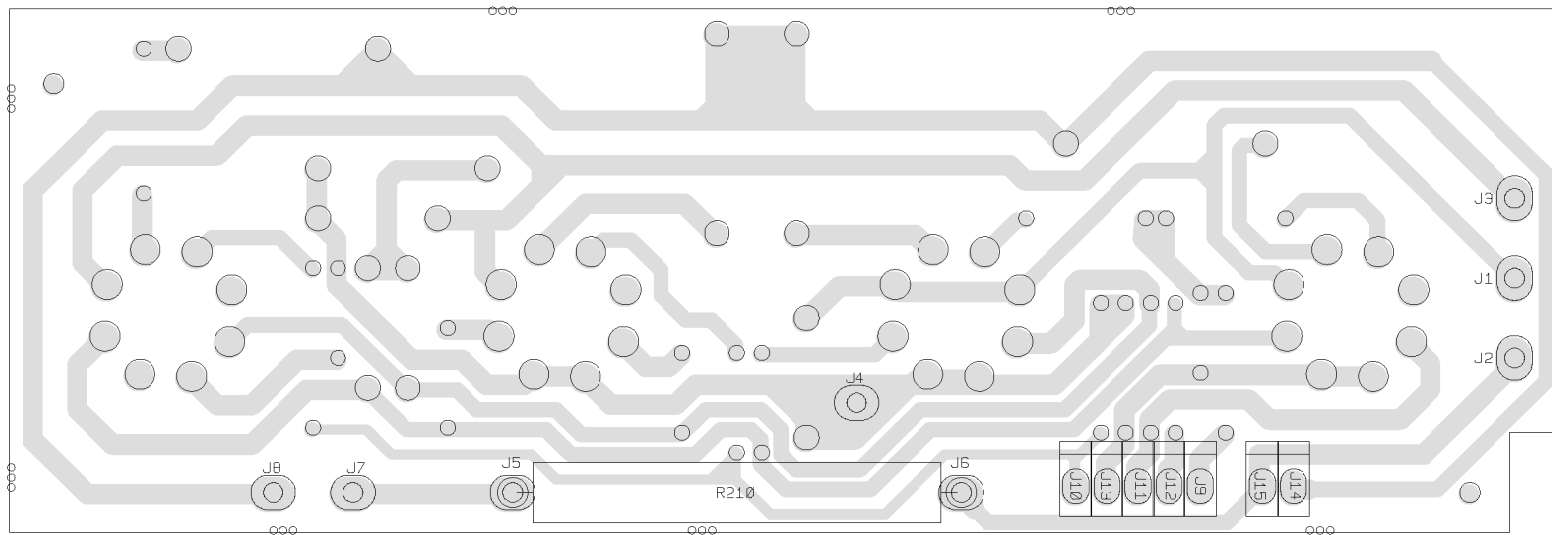


PEAVEY ELECTRONICS CORP. 711 A STREET MERIDIAN, MISSISSIPPI 39301			
TITLE VHALEN 120 POWER BOARD CB#98830350			
SIZE B	CODE	NUMBER P9000116	REV
PRINT	DATE 1-JUN-2001	SHEET 1 OF 1	



PRIMARY SIDE

EVH POWER



SECONDARY SIDE

B I L L O F M A T E R I A L S R E P O R T

---

BOARD NAME: VHPWR

REPORT DATE: 29AUG01

ASSEMBLY LEVEL NUMBER: 99030352

DESIGNER: FREDDIE EAVES

PROJECT NUMBER: VHPWR

CBDS

PART PART DESCRIPTION AND

\*\* QTY. NAME VALUE NUMBER DEVICE DESIGNATIONS \*\*\*\*\*  
 \*\*\*\*\*

1 98830352 98830352 VHPWR PCB

1 100A25 100A25 70320014 100 MFD 25VDC LYTIC CAP

C200

2 100PF 100PF 70340054 100PF-----10%-----50VDC-----T/C-----T&R

C201, C202

2 100W1 100W1 70210003 100---1W---5%---MO--T&R

R200, R201

4 100W5 100W5 70250006 100--5W--10%--WW--AXL



R203, R205, R207, R209

4 2.2K 2.2K 70240020 2.2K--1/4W--5%-----CF--T&R

R202, R204, R206, R208

1 400W10FP 400W10FP 70250019 400--10W--10%--FP--AXL

R210

4 6L6GCA 6L6GCA 70806604 6L6GC VAC TUBE W/INS SOCKET 70806627

V5, V6, V7, V8

9 J4 J 70600005 22GA JUMPER WIRES T&R

JP100, JP101, JP102, JP104, JP105,

JP107, JP108, JP109, JP110

8 MMPD 73711812 73711812 R93-12 PN C.B. MALE MOLEX PIN

J1, J2, J3, J4, J5, J6, J7, J8

7 SPXID SPXID 73717003 1 STAKE PIN

J9, J10, J11, J12, J13, J14, J15

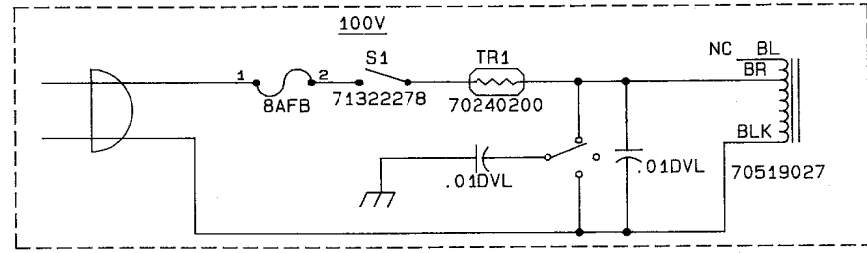
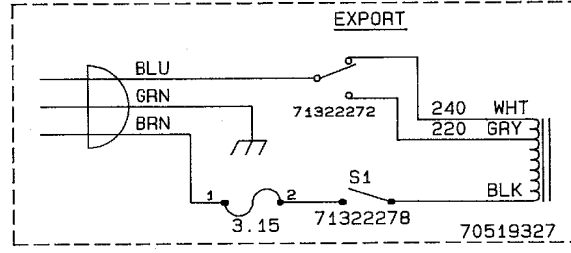
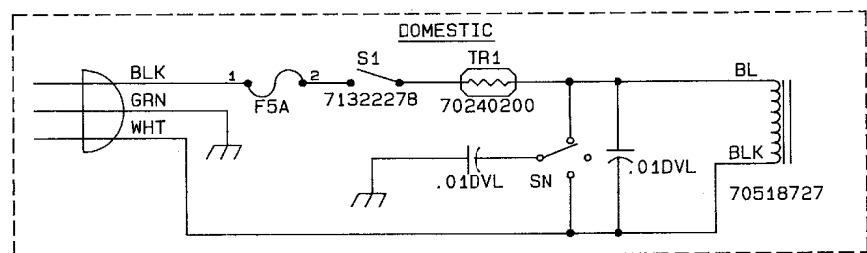
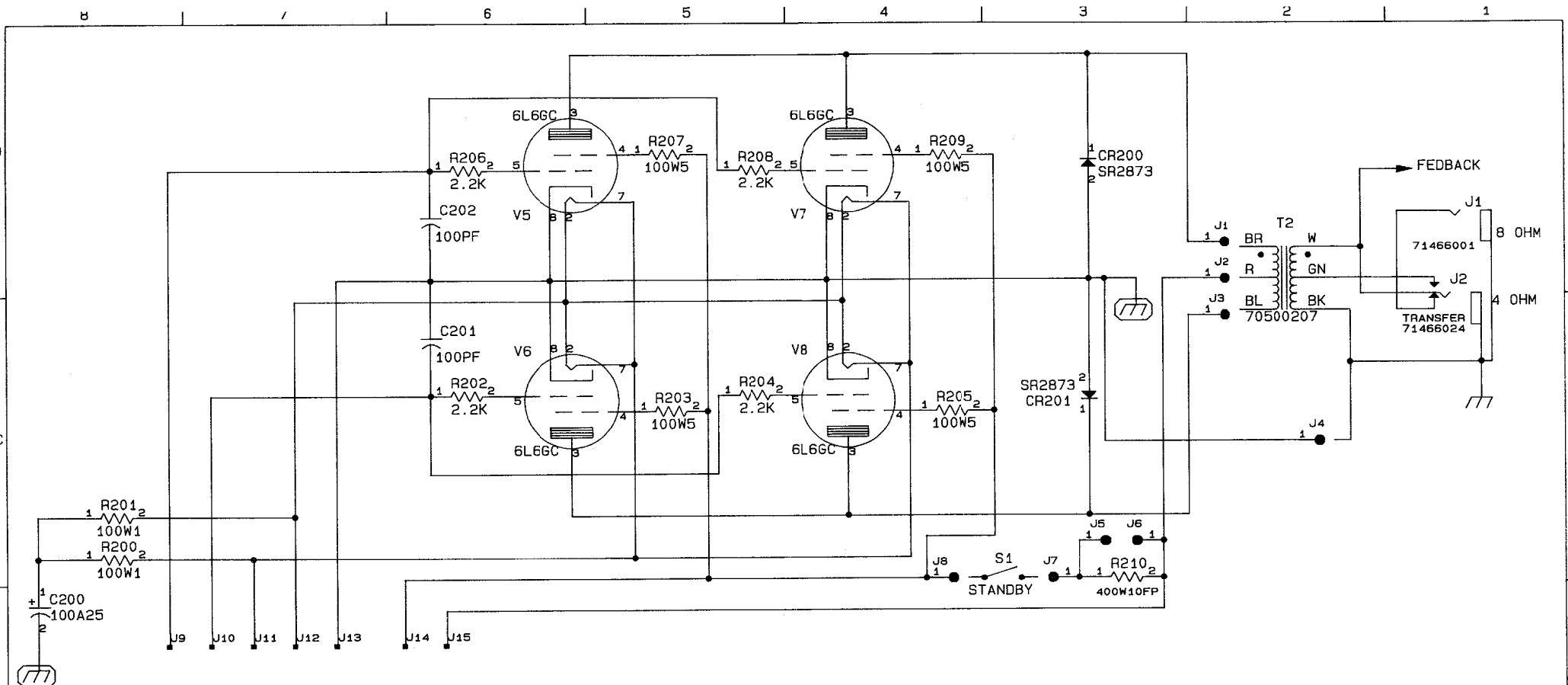
2 SR2873 SR2873 70402873 SR2873 2KV, 250MA SILICON DIODE

CR200, CR201

\*\*\*\*\*

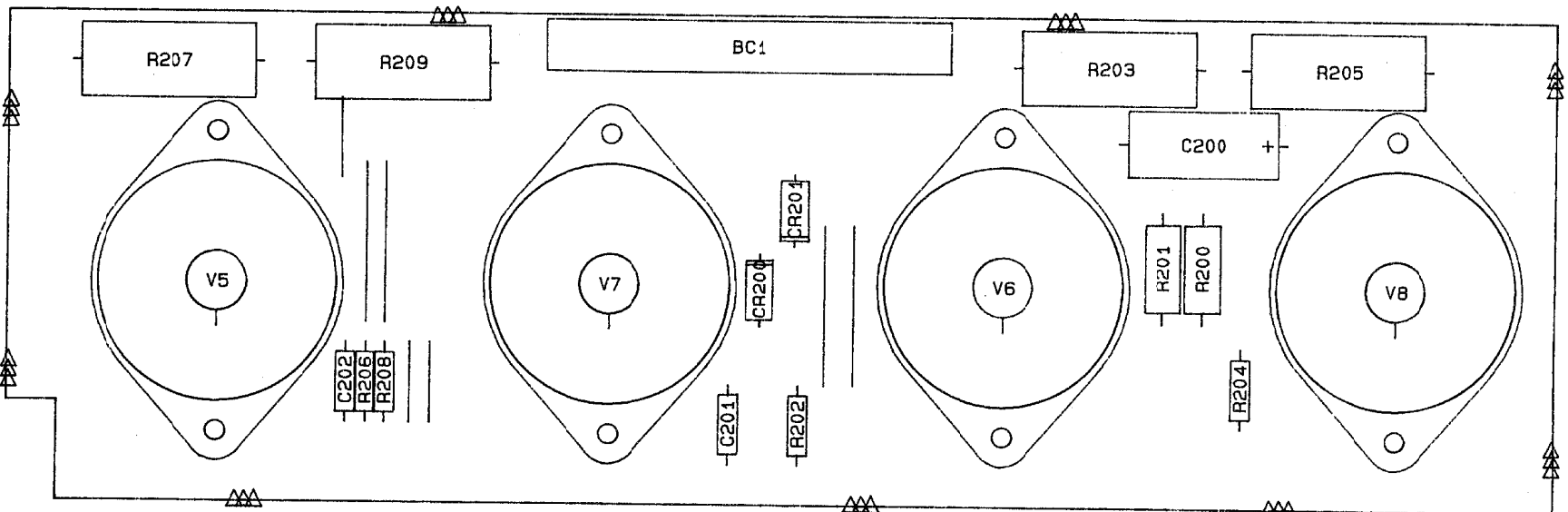
\* END OF BILL OF MATERIALS REPORT \*

\*\*\*\*\*



PEAVEY ELECTRONICS CORP. 711 A STREET MERIDIAN, MISSISSIPPI 39301			
TITLE VHALEN 120 POWER BOARD CB#99830350			
SIZE B	CCDE	NUMBER 81501510	REV
PRINT	DATE 31-JAN-92	SHEET 3 OF 3	

POWER BD.



C200	100A25	70320014	100 MFD	25 VDC	LYTTC	CAP
C201	100PF	70340054	100PF 10%	50V TUB	CER	T&R
C202	100PF	70340054	100PF 10%	50V TUB	CER	T&R
CR200	SR2873	70402873	SR-2873	2KV, 250MA	SIL	DIO
CR201	SR2873	70402873	SR-2873	2KV, 250MA	SIL	DIO
R200	100M1	70210003	100-1W-5%	MO-T&R		
R201	100M1	70210003	100-1W-5%	MO-T&R		
R202	2.2K	70240020	2200-1/4W-5%	CF-T&R		
R203	100W5	70250006	100-5W-10%	WM-AXL		
R204	2.2K	70240020	2200-1/4W-5%	CF-T&R		
R205	100W5	70250006	100-5W-10%	WM-AXL		
R206	2.2K	70240020	2200-1/4W-5%	CF-T&R		
R207	100W5	70250006	100-5W-10%	WM-AXL		
R208	2.2K	70240020	2200-1/4W-5%	CF-T&R		
R209	100W5	70250006	100-5W-10%	WM-AXL		
R210	400M10FP	70250019	400-10W-10%	FP-AXL		
V5	6L6GC	70806604	6L6 GC	TUBE		
V6	6L6GC	70806604	6L6 GC	TUBE		
V7	6L6GC	70806604	6L6 GC	TUBE		
V8	6L6GC	70806604	6L6 GC	TUBE		