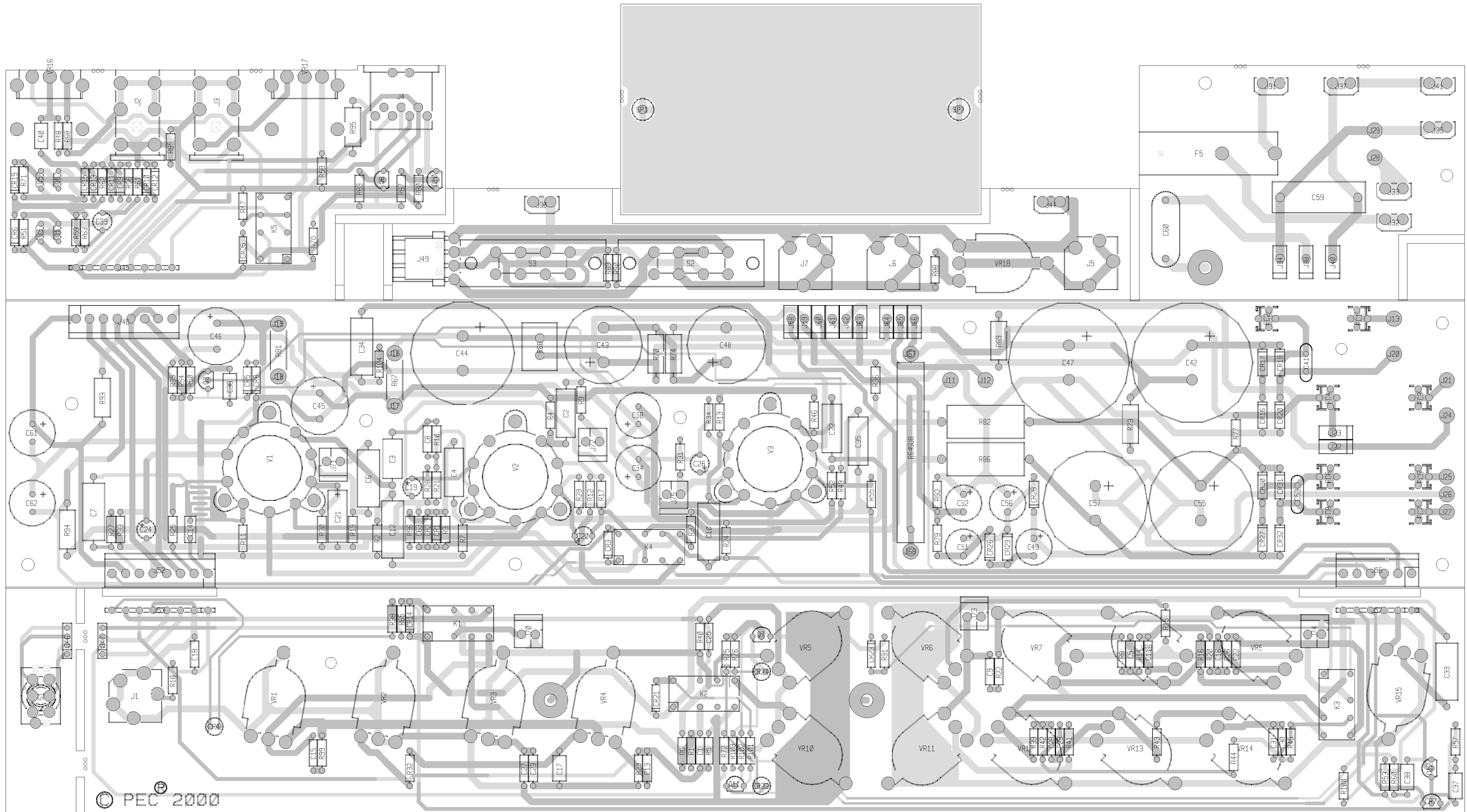


NOTICE: THIS CIRCUITRY IS PROTECTED BY U.S. PATENT NUMBER 4,890,331 OWNED BY PEAVEY ELECTRONICS CORP. USE OR COPYING WITHOUT EXPRESS WRITTEN AUTHORITY FROM PEAVEY IS STRICTLY FORBIDDEN AND VIOLATORS WILL BE PROSECUTED TO THE FULLEST EXTENT ALLOWED UNDER U.S. PATENT LAWS.

PEAVEY ELECTRONICS CORP. 711 A STREET Meridian, Mississippi 39301			
TITLE Triple XX preamp board CB#72100658/99099490			
SIZE	CODE	NUMBER	REV
D	JWB	P0000112	
PRINT	DATE 19-APR-2001		SHEET 1 OF 1



TRIPLE X PREAMP

BILL OF MATERIALS REPORT

GOODIN
 BOARD NAME: TRIPLE X PRE
 REPORT DATE: 12MAR01
 ASSEMBLY LEVEL NUMBER: 99099490 DESIGNER: JAMES MCFERRIN/GARY
 PROJECT NUMBER: P000112

CBDS
 PART PART DESCRIPTION AND
 *** QTY.NAME VALUE NUMBER DEVICE DESIGNATIONS *****

1 72100658 72100658 72100658 PCB
 3 .001 .001 70340000 .001MF----10%---50VDC---MON---T&R
 C11, C29, C63
 1 .001A630 .001A630 70320281 .001MF--630V--T&R--CAP
 C3
 3 .0022 .0022 70340004 .0022MF---10%---50VDC---T/C---T&R
 C1, C5, C28
 1 .015 .015 70340010 .015MF----10%---50VDC---T/C---T&R
 C27
 2 .01CD .01CD 70320248 .01MF----20%---1000VDC---CD--T&A
 C41, C53
 1 .01DVLNP .01DVLNP 70320104 .01 MFD 125VDC DVL MYLAR +0.20%
 C60
 1 .022 .022 70340012 .022MF----10%---50VDC---MON---T&R
 C9
 4 .022A400 .022A400 70320283 .022MF--400V--T&R--CAP
 C2, C4, C32, C35
 1 .047 .047 70340017 .047MF----10%---50VDC---MON---T&R
 C23
 5 .047A400 .047A400 70320105 .047MFD 450 VOLT T&R CAP
 C6, C7, C10, C12, C33
 1 .068 .068 70340018 .068MF----10%---50VDC---MON---T&R
 C36
 1 .1A250 .1A250 70320334 .1MFD 250 VGLT T&R CAP
 C34
 4 .1P10 .1P10 70340101 .1MF-----10%---50VDC---MON---T&R
 C17, C37, C38, C40
 1 .1SF .1SF 70330113 0.10MFD 10% 100V STCK FILM T&A

C14
 1 .1X2 70320298 70320298 .1MF 250VAC X2 20%
 C59
 1 .47A50L .47A50L 70340063 .47MFD 50V LOW LEAKAGE
 C21
 6 1.5K 1.5K 70240018 1.5K--1/4W--5%---CF--T&R
 R28, R29, R30, R33, R34, R55
 1 100 100 70240010 100---1/4W--5%---CF--T&R
 R56
 4 1000R35 1000R35 70320186 1000MF---20%---35VDC--EL--T&A
 C54, C58, C61, C62
 9 100K 100K 70240034 100K--1/4W--5%---CF--T&R
 R4, R8, R13, R39, R46, R49, R50, R62, R68
 2 100KBVB 71190517 71190517 100K LIN MIN VPC W/BACKET
 VR16, VR17
 1 100KP1 100KP1 70240151 100K--1/4W--1%---MF--T&R
 R2
 4 100PF 100PF 70340054 100PF-----10%---50VDC---T/C---T&R
 C16, C22, C30, C31
 4 100R63 100R63 70320264 100MF-----20%---63VDC---EL--T&A
 C49, C51, C52, C56
 2 100V350 100V350 70320130 100 MFD 350VDC RADIAL SNAP-IN
 C43, C48
 1 100V500 100V500 70320337 100MFD - +/-20% - 500VDC - EL - R/S
 C44
 10 10K 10K 70240025 10K--1/4W--5%---CF--T&R
 R15, R16, R18, R32, R41, R43, R47, R78, R83, R87
 3 12AX7A 12AX7A 70806612 12AX7 VACUUM TUBE W/70806614 BOT ENTRY SKT
 V1, V2, V3
 3 12VRELAY 71322277 71322277 DPDT OMRON RELAY 12VDC
 K3, K4, K5
 3 150K 150K 70240035 150K--1/4W--5%---CF--T&R
 R7, R14, R42
 1 150KP1 150KP1 70241035 150K--1/4W--1%---MF--T&R

R11
 1 15K 15K 70240027 15K---1/4W--5%---CF--T&R
 R75
 2 1740 1740 70401740 2SC1740SLN 40V,1A, NPN, LOW NOISE T&A
 Q1, Q3
 1 180FF 180PF 70340056 180PF-----10%---50VDC---T/C---T&R
 C15
 2 187SOWR 70901854 70901854 SPCR,R,T4-403X/16,SW,AL,S
 SP1, SP2
 1 1K 1K 70240017 1K---1/4W--5%---CF--T&R
 R60
 1 1KW1 1KW1 70210000 1K----1W---5%---MO--T&R
 R95
 9 1M 1M 70240039 1M---1/4W--5%---CF--T&R
 R3, R17, R19, R24, R31, R37, R53, R90, R92
 7 1N4003 1N4003 70464003 1N4003 200V SILICON DIODE
 CR26, CR27, CR28, CR29, CR30, CR31, CR32
 4 1N4007 1N4007 70464007 1N4007 1KV, 1A, SILICON DIODE
 CR16, CR17, CR18, CR20
 15 1N4148 4148 70464148 1N4148 75V 10MA SILICON DIODE
 CR1, CR2, CR3, CR6, CR9, CR10, CR11, CR12, CR13, CR14, CR15, CR19, CR21, CR23, CR25
 2 1N757 1N757 70400757 1N757A 9.1V 5% ZENER DIODE
 CR5, CR8
 1 2.2M 2.2M 70240040 2.2M--1/4W--5%---CF--T&R
 R40
 1 2.2R50NP 2.2R50NP 70320184 2.2MF-----20%---50VDC---NP--T&A
 C39
 9 220K 220K 70240036 220K--1/4W--5%---CF--T&R
 R1, R5, R6, R20, R27, R44, R51, R71, R104
 4 220KW1 220KW1 70210008 220K--1W---5%---MO--T&R
 R69, R70, R73, R74
 3 22K 22K 70240029 22K---1/4W--5%---CF--T&R
 R22, R85, R88

2 22KW1 22KW1 7021005 22K---1W----5%---MO--T&R
R67, R81
2 22R45C 22R450 70320339 22R450---20%---450VDC--POL--R/W
C45, C46
4 22R50 22R50 70320181 22MF-----20%---50VDC---EL--T&A
C19, C20, C24, C26
2 240K 240K 70241094 240K--1/4W--5%---CF--T&R
R26, R45
6 270 270 70240013 270---1/4W--5%---CF--T&R
R38, R65, R72, R80, R91, R101
1 270PF 270PF 70340057 270PF-----10%---50VDC---T/C---T&R
C13
1 3.9K 3.9K 70241093 3.9K--1/4W--5%---CF--AXL
R102
2 330V350 330V350 70320169 330 MFD 350 VDC VERT. SNAP-IN
C42, C47
1 39PF 39PF 70340052 39PF-----50VDC---T/C---T&R
C18
3 4.7K 4.7K 70240023 4.7K--1/4W--5%---CF--T&R
R76, R77, R103
1 400W10FP 400W10FP 70250019 400--10W--10%---FP--AXL
R64
1 47 47 70240008 47---1/4W--5%---CF--T&R
R57
2 470 470 70240015 470---1/4W--5%---CF--T&R
R48, R61
2 4700R35 4700R35 70350200 4700 MFD 35VDC RADIAL SNAP-IN
C55, C57
6 470K 470K 70240038 470K--1/4W--5%---CF--T&R
R10, R21, R25, R52, R96, R99
2 470PF 470PF 70340058 470PF-----10%---50VDC---T/C---T&R
C8, C25
4 47FP 47FP 70240090 47FP--1/4W--5%---FP--T&R
R35, R36, R59, R63
2 47K 47K 70240031 47K---1/4W--5%---CF--T&R
R9, R54

2 47W1 47W1 70210011 47---1W----5%---MO--T&R
R93, R94
1 4KW5JP 4KW5 70250181 4K--5W--10%---WW--STANDUP PART
R66
2 4PRC2J2 70600024 70600024 4 CKT 2.25" JUMPER.100 CNTR, (2 GATE)
J46, J47
1 5.62KP1 5.62KP1 70241008 5.62K-1/4W--1%---MF--T&R
R79
2 50W5 50W5 70250001 50--5W--10%---WW--AXL
R82, R86
4 6531 6531 70466531 MPS-6531 TO92 NPN TRANS. T&A
Q7, Q8, Q10, Q11
1 680K 680K 70240065 680K---1/4W--5%---CF--T&R
R12
2 68K 68K 70240032 68K---1/4W--5%---CF--T&R
R23, R58
1 75W10 75W10 70250048 75--10W--10%---WW--AXL
SUB
1 820 820 70240019 820--1/4W--5%---CF--T&R
R100
1 82K 82K 70240033 82K---1/4W--5%---CF--T&R
R89
2 933 933 70400933 2SA933ASLN 40V, .1A, PNP, LOW NOISE T&A
Q5, Q6
2 CAB0018 70600018 70600018 8C .156 - 5" JMPR W/FEED-TO CONN.
J45, J53
1 CAB0134 70600134 70600134 6C PRE-TINNED.156" 5" JMPR W/F-CONN
J57
8 CLP1183 CLP1183 70901183 FUSECLIP, FCMT - T&A
FC1, FC2, FC3, FC4, FC5, FC6, FC7, FC8
1 DIN7RA 71466226 71466226 CONN 7P R/A PCMNT DIN W/ 4 MNT HOLES
J4
3 FMPU 73711811 73711811 M118-171 C.E. FEMALE MOLEX PIN
J24, J25, J27
1 FUSERA 70901429 70901429 EXT. FUSEHOLDER, PCMT

F5
3 HIDMNI 71466214 71466214 2 TIP HID JACK NINS W/SPD
J5, J6, J7
1 HIDSNI 71466217 71466217 STEREO HID JACK NINS W/SPD
J1
2 J174 J174 70460174 J-174 30V TO-92 P-CHAN FET T&A
Q2, Q12
1 LEDGT1 LEDGT1 70-50035 HLMP 1790 GREEN LED T-1
CR4
1 LEDRT1 LEDRT1 70450034 SLR34VR3 GP RED LED T1 ROUND
CR22
1 LEDYL1 LEDYL1 70-50036 LED YELLOW T1 (SM RND) VERT.
CR24
2 LOMRELAY 71322378 71322378 RELAY, 12V DPDT - LO MIC
K1, K2
1 MAC97 MAC97 70460097 MAC97-6 400V .6A TO-92 TRIAC T&A
CR7
14 MMPU 73711812 73711812 R93--2 PN C.B. MALE MOLEX PIN
J11, J12, J13, J16, J17, J18, J19, J20,
J21, J26, J28, J29, J67, J68
1 POT0303 71190303 71190303 1 MEG AUD 20% MET. SPIDER IMM
VR1
2 POT0311 71190311 71190311 1 MEG A METRIC SPDR 1MM
VR5, VR10
8 POT0334 71190334 71190334 250K LIN METRIC SPIDER 1MM
VR4, VR7, VR8, VR9, VR12, VR13, VR14,
VR15
1 POT0335 71190335 71190335 50K LIN METRIC SPIDER 1MM
VR3
1 POT0336 71190336 71190336 10K LIN METRIC SPIDER 1MM
VR18
2 POT0338 71190338 71190338 100K AUD 20% METRIC SPIDER 1MM
VR6, VR11
1 POT0339 71190339 71190339 250K AUD 20% METRIC SPIDER 1MM
VR2
1 RA4C RA4C 73719109 4 PIN R/A HEADER .156 W/FRICTION LOCK
J49

2 RASN6165 71466165 71466165 JK R/A 12.5MM NIN STEREO -88

J2, J3

8 SPD 73716194 73716194 .250 PC MNT SPADE .093 PCB

J30, J31, J32, J33, J35, J37, J41, J44

12 SPX1 SPX1 73717003 1 STAKE PIN

J34, J38, J40, J58, J59, J60, J61, J62,
J63, J64, J65, J66

2 SPX1U SPX1U 73717003 1 STAKE PIN

J22, J23

6 SPX2 SPX2 XXXXXXXX 2 EACH OF STAKE PINS

J70, J71, J72, J73, J74, J75

1 SPX6 SPX6 XXXXXXXX 6 EACH OF STAKE PINS

J56

2 SPX8 SPX8 XXXXXXXX 8 EACH OF STAKE PINS

J48, J52

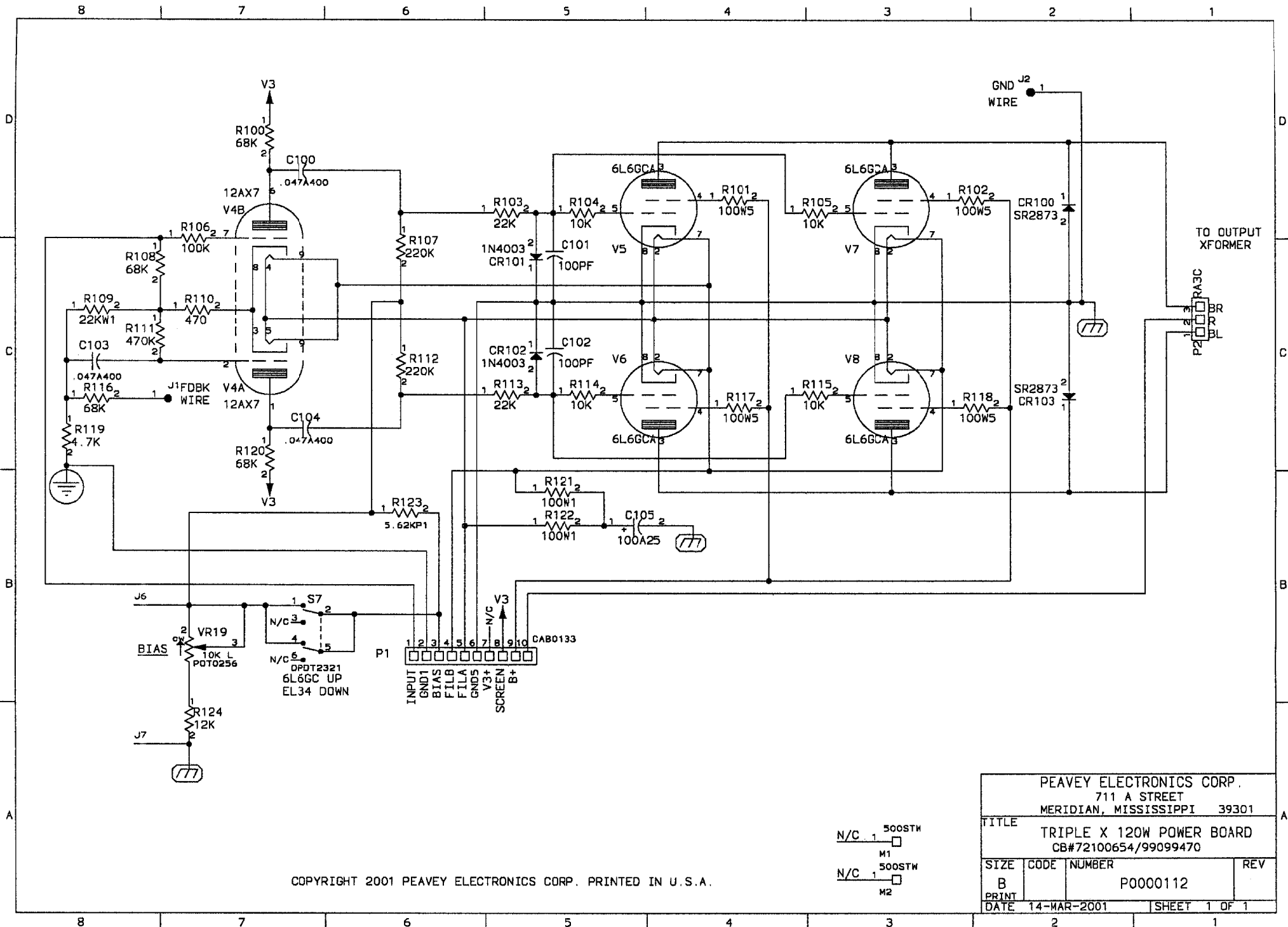
2 SW2328 SW2328 71322328 2PTT PC MOUNT SLIDE SWITCH

S2, S3

1 SW2368 71322368 71322368 SP-T TOGGLE SWITCH

S1

* END OF BILL OF MATERIALS REPORT *

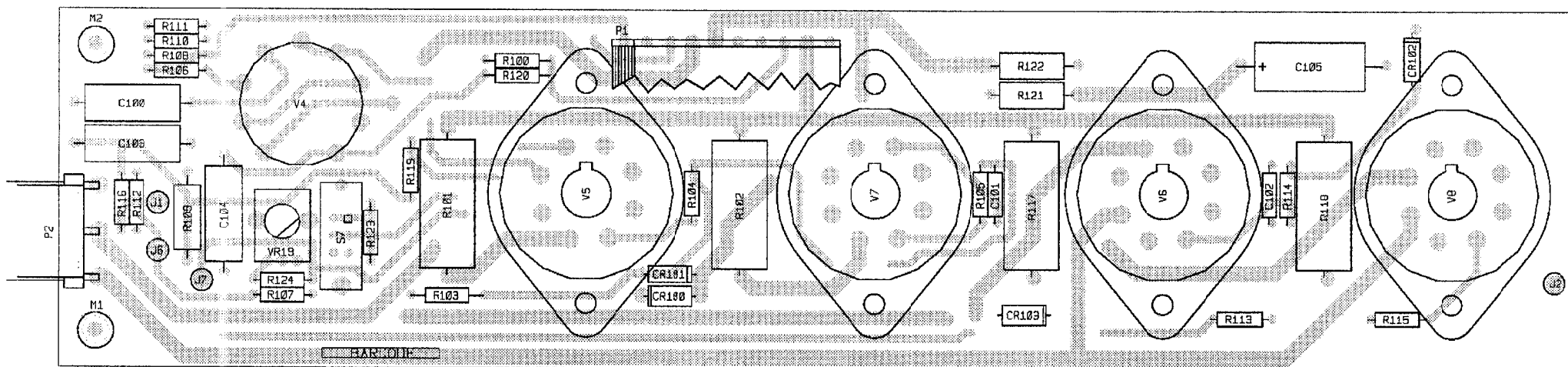


COPYRIGHT 2001 PEAVEY ELECTRONICS CORP. PRINTED IN U.S.A.

N/C 1 500STH
M1
N/C 1 500STH
M2

PEAVEY ELECTRONICS CORP. 711 A STREET MERIDIAN, MISSISSIPPI 39301			
TITLE TRIPLE X 120W POWER BOARD CB#72100654/99099470			
SIZE B	CODE	NUMBER P0000112	REV
PRINT DATE	14-MAR-2001		SHEET 1 OF 1

TRIPLE XXX 112/212/POWER



FOR TRIPLE XXX 112 60W DO NOT INSERT V5, V8, R101, R118

BILL OF MATERIALS REPORT

BOARD NAME: XXXPWR REPORT DATE: 19NOV02
 ASSEMBLY LEVEL NUMBER: 99099471 DESIGNER: ELBERT COLEMAN
 PROJECT NUMBER: P0000112

CBDS
 PART PART DESCRIPTION AND

** QTY. NAME VALUE NUMBER DEVICE DESIGNATIONS *****

1	72100654	72100654	72100654	PCB
3	.047A400	.047A400	70320105	.047MFD 450 VOLT T&R CAP C100, C103, C104
1	100A25	100A25	70320014	100 MFD 25VDC LY TIC CAP C105
1	100K	100K	70240034	100K--1/4W--5%---CF--T&R R106
2	100PF	100PF	70340054	100PF-----10%---50VDC---T/C---T&R C101, C102
2	100W1	100W1	70210003	100---1W---5%---MO--T&R R121, R122
2	100W5	100W5	70250006	100--5W--10%--WW--AXL R102, R117
4	10K	10K	70240025	10K---1/4W--5%---CF--T&R R104, R105, R114, R115
1	12AX7	12AX7	70806612	12AX7 VACUUM TUBE W/9 PIN PC MNT SOCKET V4
1	12K	12K	70240057	12K---1/4W--5%---CF--T&R R124
2	1N4003	1N4003	70464003	1N4003 200V SILICON DIODE CR101, CR102
2	220K	220K	70240036	220K--1/4W--5%---CF--T&R R107, R112
2	22K	22K	70240029	22K---1/4W--5%---CF--T&R R103, R113
1	22KW1	22KW1	70210005	22K---1W---5%---MO--T&R R109
1	4.7K	4.7K	70240023	4.7K--1/4W--5%---CF--T&R R119

1 470 470 70240015 470---1/4W--5%---CF--T&R
R110

1 470K 470K 70240038 470K--1/4W--5%---CF--T&R
R111

1 5.62KP1 5.62KP1 70241008 5.62K-1/4W--1%---MF--T&R
R123

2 500STW 70901859 70901859 SPCR,R,TA-40X1/2,SW,AL,ST
M1, M2

4 68K 68K 70240032 68K---1/4W--5%---CF--T&R
R100, R108, R116, R120

2 6L6GCA 6L6GCA 70806604 6L6GC VAC TUBE W/INS SOCKET 70806627
V6, V7

1 CAB0133 70600133 70600133 10C PRE-TIN .156 - 5" CONN.
P1

1 DPDT2321 DPDT2321 71322321 SWITCH, DPDT PCMNT SLIDE
S7

1 POT0256 71190256 71190256 10KB 9MM VPC S/K
VR19

1 RA3C RA3C 73719110 3 PIN R/A HEADER .312 W/FRICTION LOCK
P2

2 SR2873 SR2873 70402873 SR2873 2KV, 250MA SILICON DIODE
CR100, CR103

1 WJ8BK3SR WJ8BK3SR 91090520 BK--18G--3"CPT/250 RA SPD
J2

1 WJ8BK5SP WJ8BK5SP 91090506 BK-18G-5"-CPT-250SPD/RA
J1

1 WJ8BK6FM WJ8BK6FM 91103769 BLACK 6" 18GA CPT W/FEMALE CONTACT PIN
J6

1 WJ8RD6FM WJ8RD6FM 91103768 RED 6" 18GA CPT W/FEMALE CONTACT PIN
J7

* END OF BILL OF MATERIALS REPORT *
