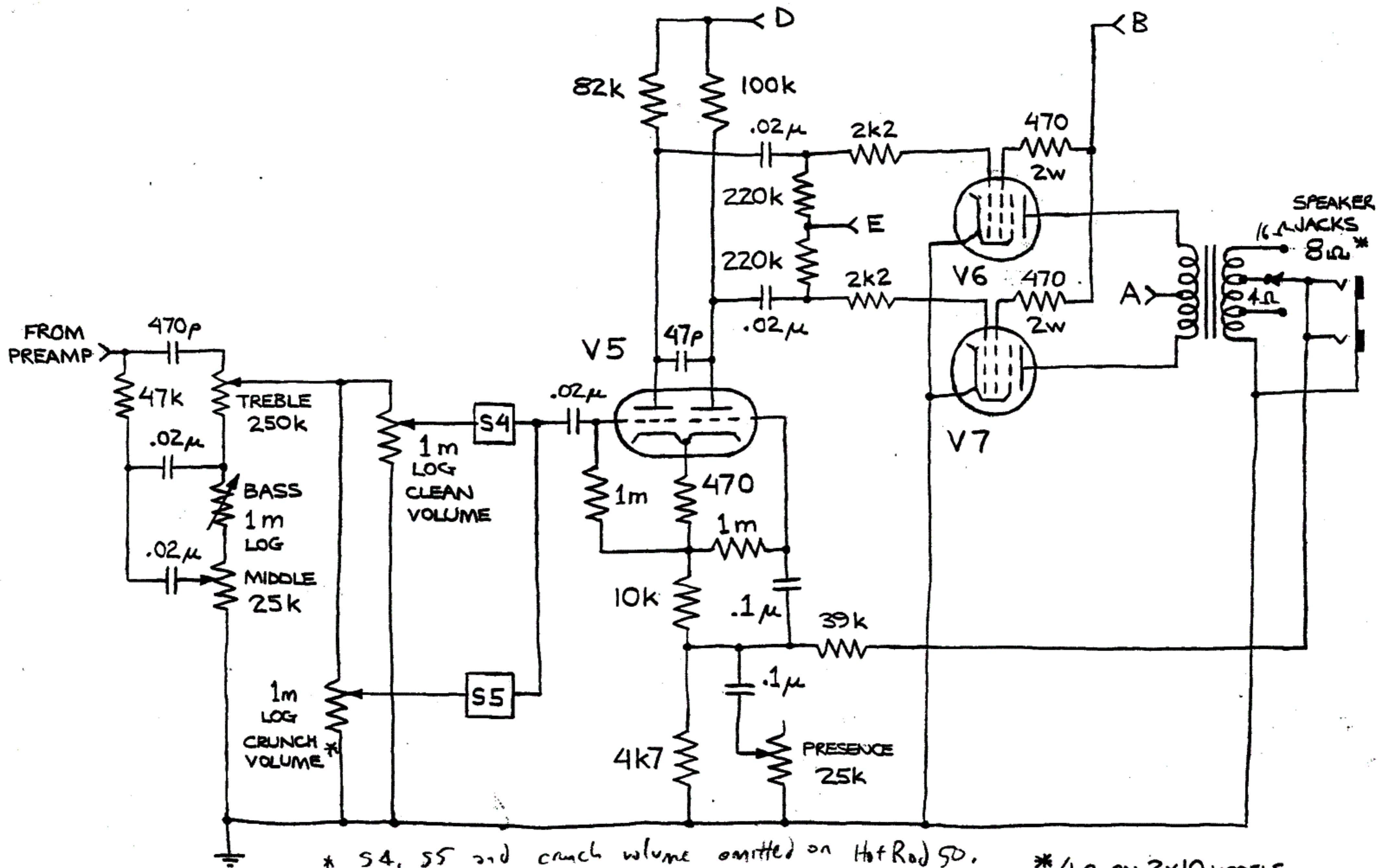


SOLDANO HOT ROD 50/100 PLUS PREAMP & DRIVER CIRCUIT



\* S4, S5 and crunch volume omitted on Hot Rod 50.  
Labeled 'Overdrive' on Hot Rod 50+.

\* 4Ω ON 2X10 MODELS

V1-5 12AX7

V6 & 7 5881 OR 6L6GC

ALL RESISTORS 1/2W UNLESS NOTED

SOLDANO

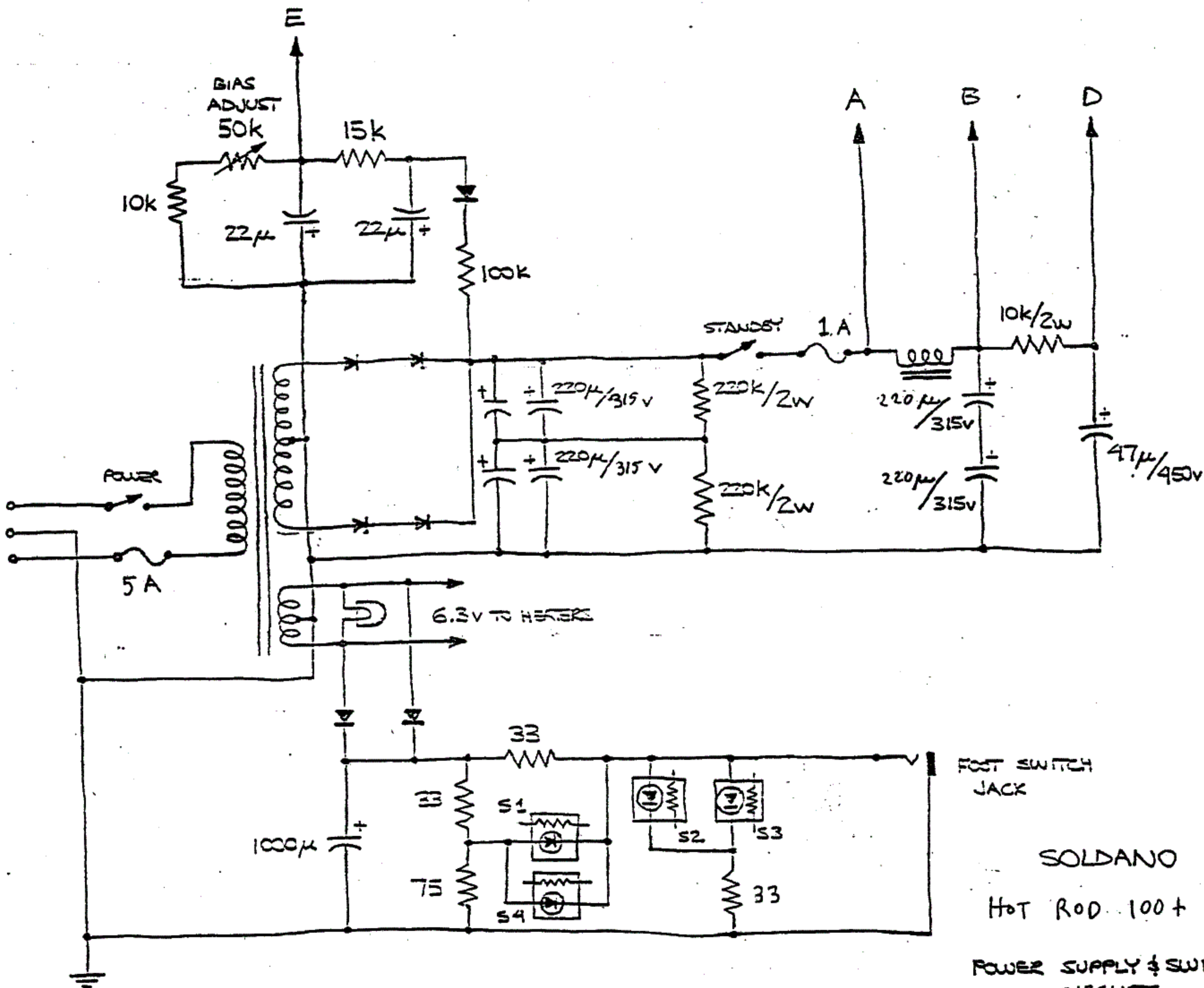
REVERB-O-SONIC  
COMBO

TONE CONTROLS & POWER AMP

& HOT ROD 50, 50+

5/7/96





FOOT SWITCH JACK

SOLDANO

HOT ROD 100+

POWER SUPPLY & SWITCHING CIRCUITS

5/6/96