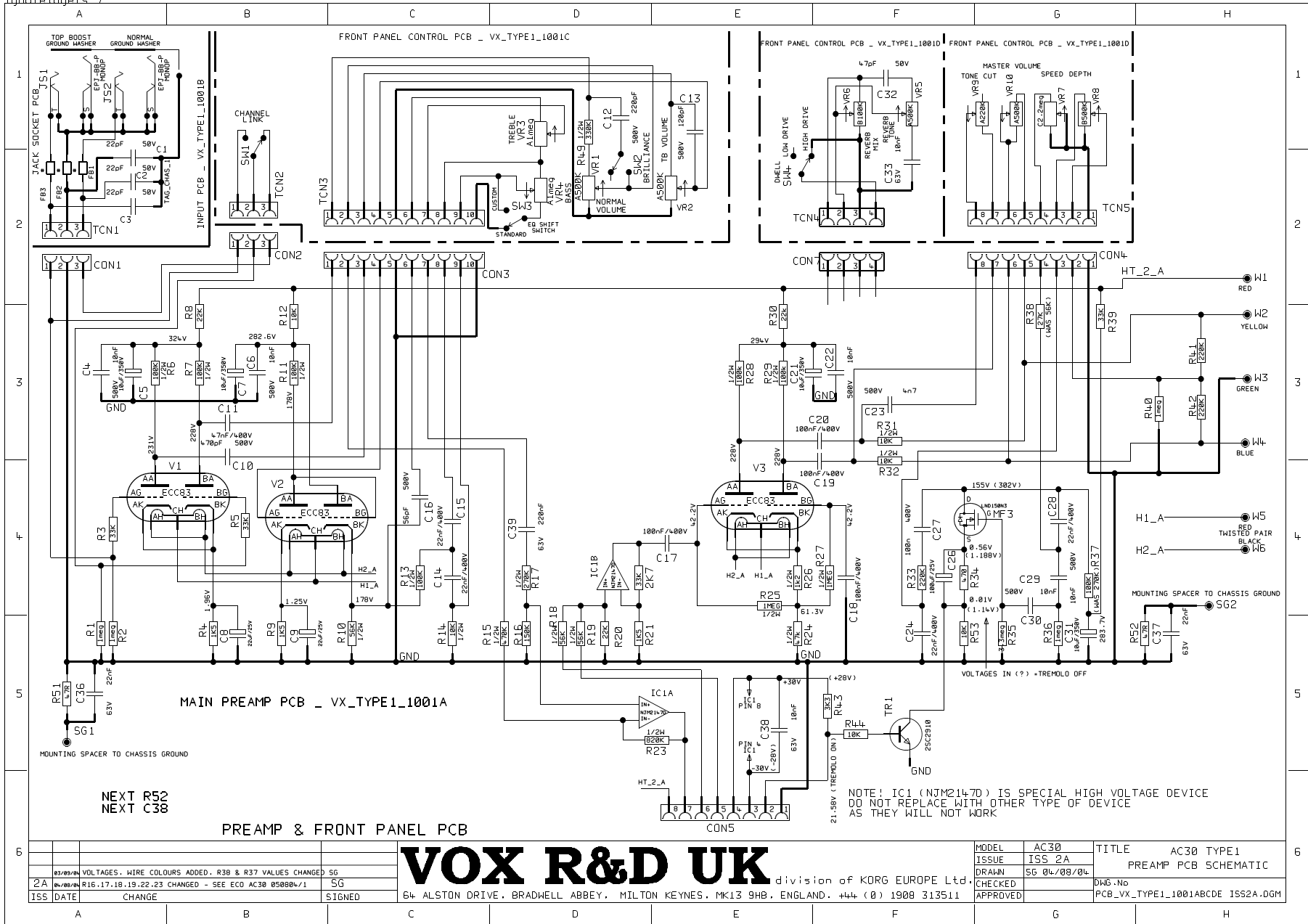


AC30CC2

ignoreLayers 7



01/09/04	VOLTAGES - WIRE COLOURS ADDED. R38 & R37 VALUES CHANGED	SG
2A	R16,17,18,19,22,23 CHANGED - SEE ECO AC30 050004/1	SG
ISS	DATE CHANGE	SIGNED

VOX R&D UK

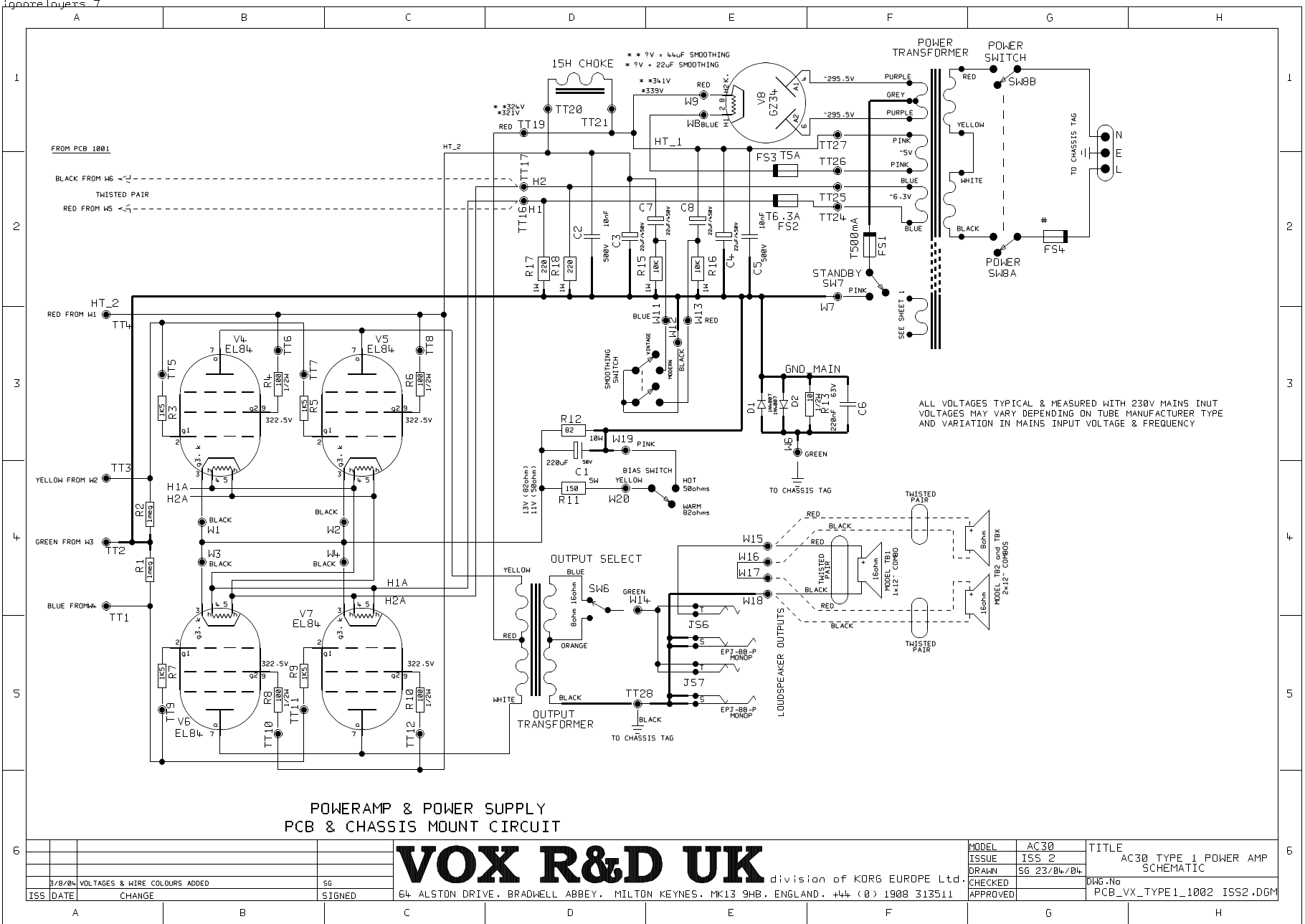
division of KORG EUROPE Ltd,
64 ALSTON DRIVE, BRADWELL ABBEY, MILTON KEYNES, MK13 9HB, ENGLAND. +44 (0) 1908 313511

MODEL	AC30	TITLE	AC30 TYPE1
ISSUE	ISS 2A	PREAMP PCB SCHEMATIC	
DRAWN	SG 04/08/04		
CHECKED		DWG.No	
APPROVED		PCB_VX_TYPE1_1001ABCDE ISS2A.DGM	

AC30CC2

SCHEMATIC DIAGRAM (AMP)

ignore layers 7



9

VOX R&D UK

division of KORG EUROPE Ltd

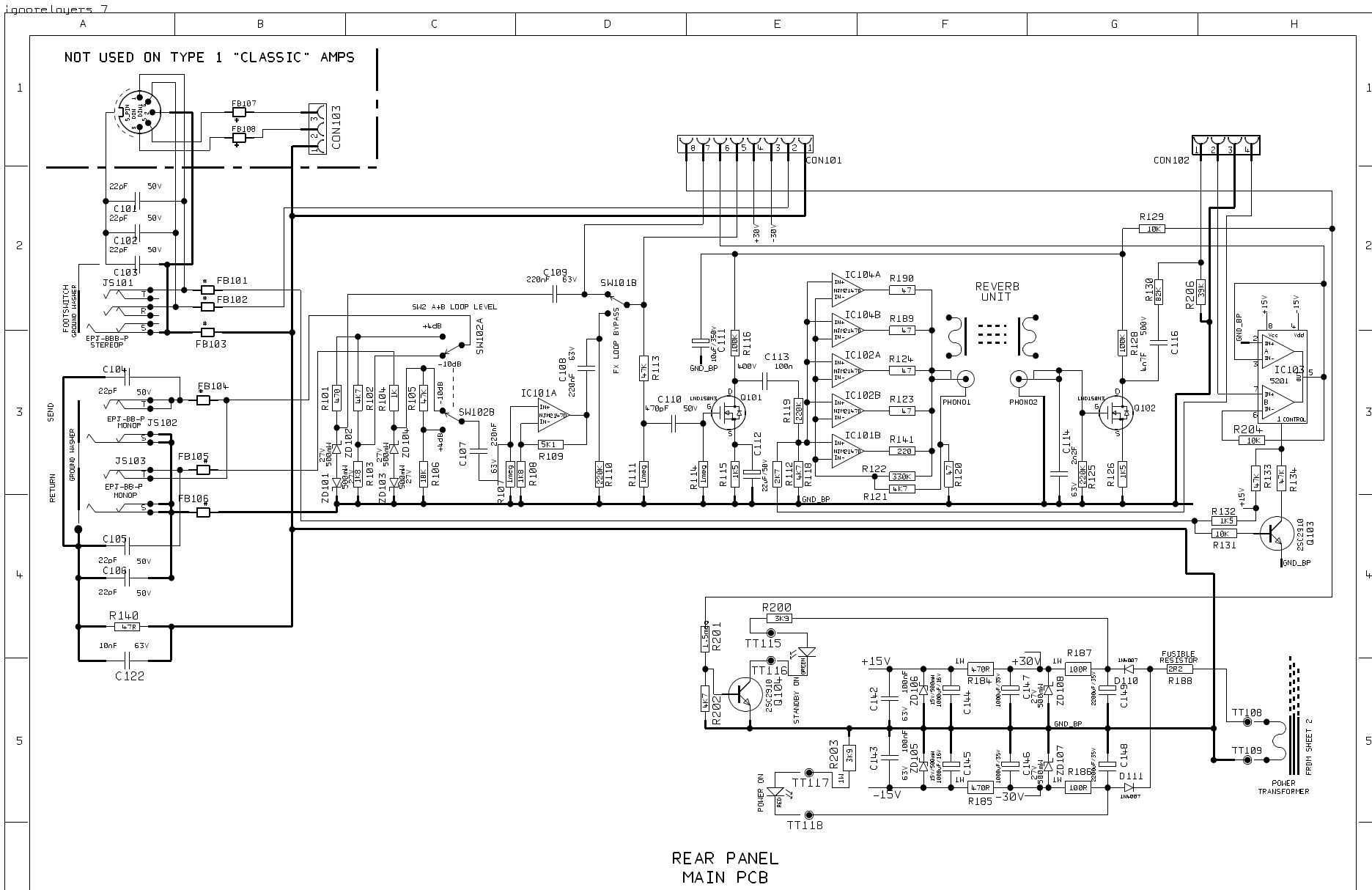
MODEL	AC30	TITLE	AC30 TYPE 1 POWER AMP
ISSUE	ISS 2		SCHEMATIC
DRAWN	SG 23/04/04	DWG.No	
CHECKED		PCB.No	PCB_VX_TYPE1_1002 ISS2.DGM
APPROVED			

ISS DATE	CHANGE	SIGNED

64 ALSTON DRIVE, BRADWELL ABBEY, MILTON KEYNES, MK13 9HB, ENGLAND. +44 (0) 1908 313511

AC30CC2

SCHEMATIC DIAGRAM (AMP)



VOX R&D UK

division of KORG EUROPE Ltd
64 ALSTON DRIVE, BRADWELL ABBEY, MILTON KEYNES, MK13 9HB, ENGLAND. ++44 (0) 1909 313511

MODEL	AC30	TITLE	
ISSUE	ISS 2B	REAR PANEL I/O PCB SCHEMATIC	
DRAWN	S6 11/03/05	DWG No	PCB_VX_TYPE1_I003 ISS2B.DGM
CHECKED		APPROVED	

2B	11/03/05	PULL CHANGED FROM L7 TO Z00 OHM TO PREVENT DISTORTION IN IC101A	SG
2	5/9/04	UP ISSUE LEGEND ADDED	SG
ISS DATE	CHANGE	SIGNED	